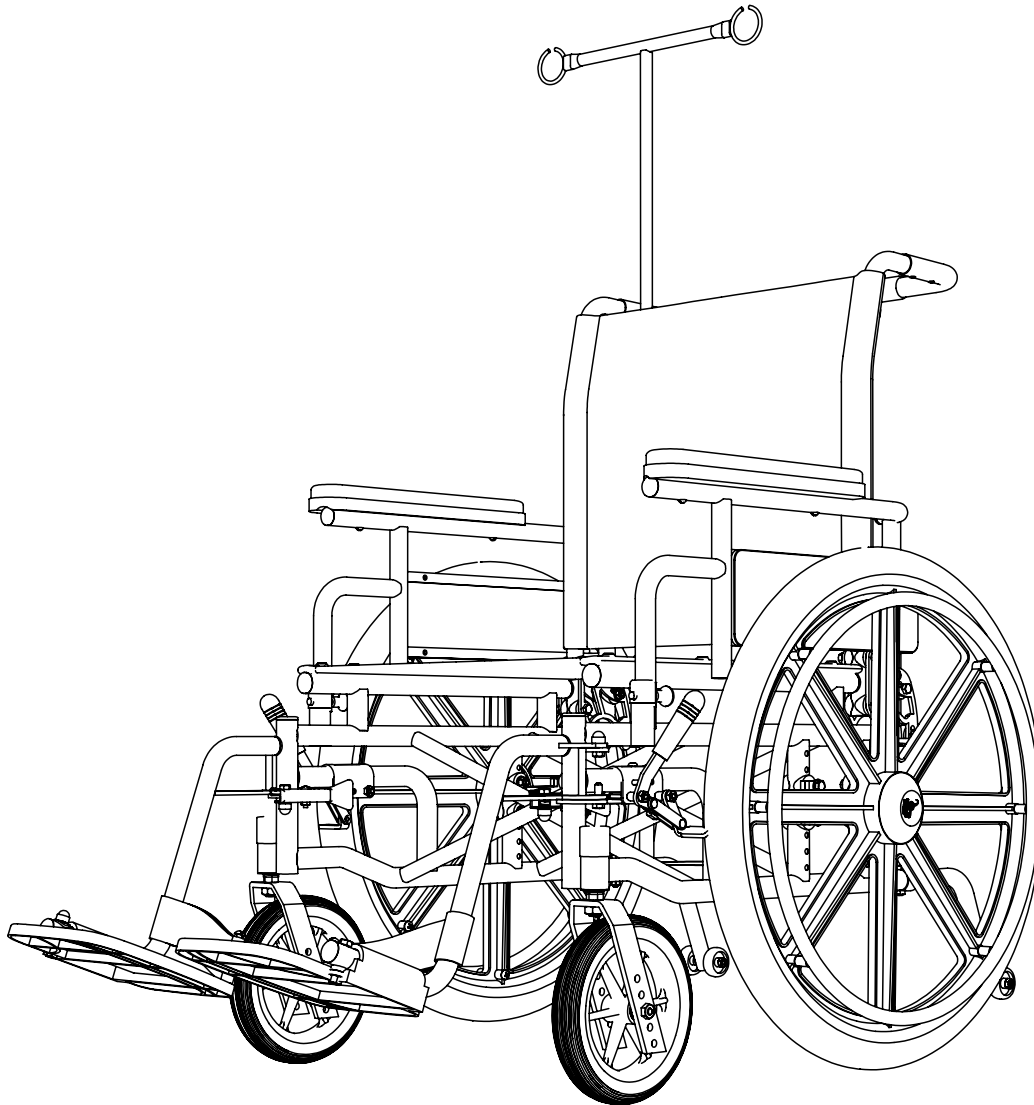


# **TRANSIT**

## PARTS BOOK



# CONTENTS

## FRAMES

TRANSIT - FRAME .....	4
-----------------------	---

## SEATS

TRANSIT - VINYL SEAT .....	5
----------------------------	---

## ARMS

TRANSIT - FLIP BACK ARM .....	6
-------------------------------	---

## FOOTRESTS

TRANSIT - PIN-STYLE FOOTREST .....	7
TRANSIT - PIN-STYLE FOOTREST RECEIVER .....	8

## BACKPOST

TRANSIT - ANGLE ADJUSTABLE BACK .....	9
TRANSIT - FIXED SPREADER BAR & BACKPOST .....	10

## ANTI-TIPPERS

TRANSIT - ANTI-TIPPER .....	12
-----------------------------	----

## WHEEL LOCKS

STEEL WHEEL LOCK .....	13
------------------------	----

## PLATES & AXLES

TRANSIT - AXLE PLATE .....	14
AXLE .....	15

## REAR WHEELS

COMPOSITE WHEEL .....	16
-----------------------	----

## CASTERS

CASTERS AND FORKS .....	18
-------------------------	----

## ACCESSORIES

TRANSIT - I.V. POLE FIXED & OXYGEN TANK HOLDER .....	20
TRANSIT - I.V. POLE ADJUSTABLE & OXYGEN TANK HOLDER .....	21

## BACKS

TRANSIT - VINYL BACK .....	22
----------------------------	----

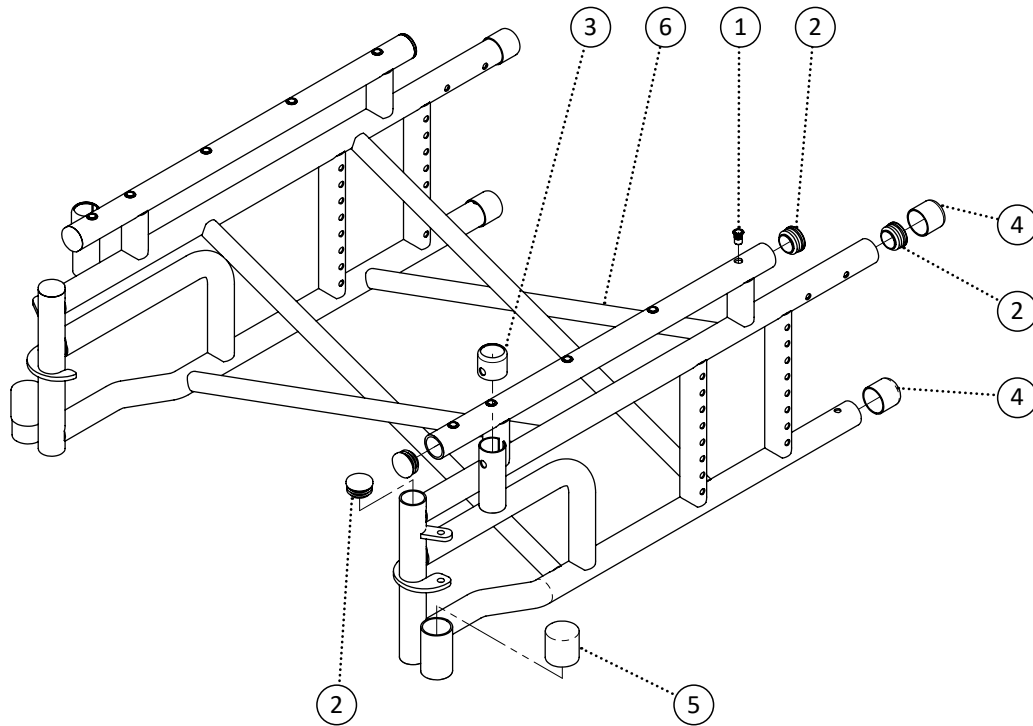
## REFERENCE INDEX

At Power Plus Mobility, we care!

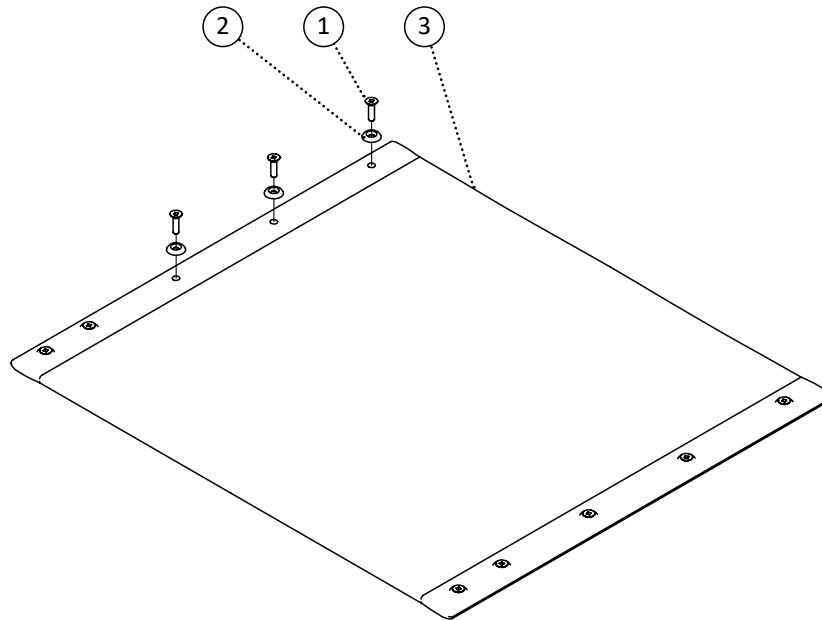
Thank you for choosing a wheelchair from Power Plus Mobility Inc. We are always improving in our ways to serve you better and would love to hear your questions or comments about our literatures, the reliability of our chairs and service you received while making the decision of choosing our wheelchair. Please feel free to contact us via our email address: [customer@powerplusmobility.com](mailto:customer@powerplusmobility.com)

## QUESTIONS REGARDING YOUR WHEELCHAIR?

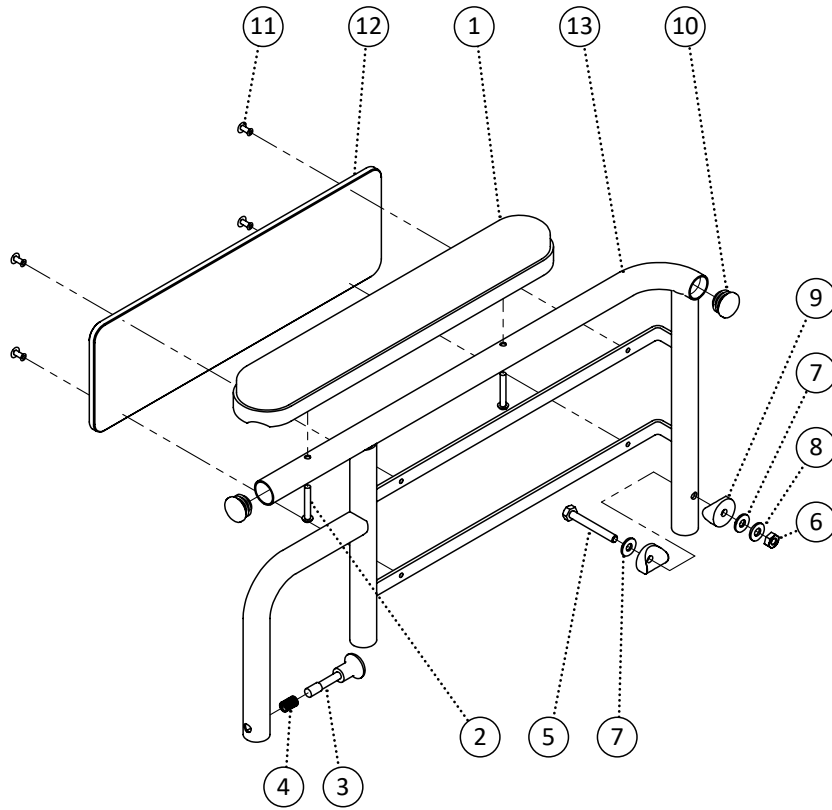
The best way to get your questions answered is by your authorized wheelchair dealer since they know your wheelchair and have the training for it. Please fill in your dealers information below so you have it handy just in case you have any questions or concerns about your wheelchair. Your dealer will guide you on the right direction to take any further steps.



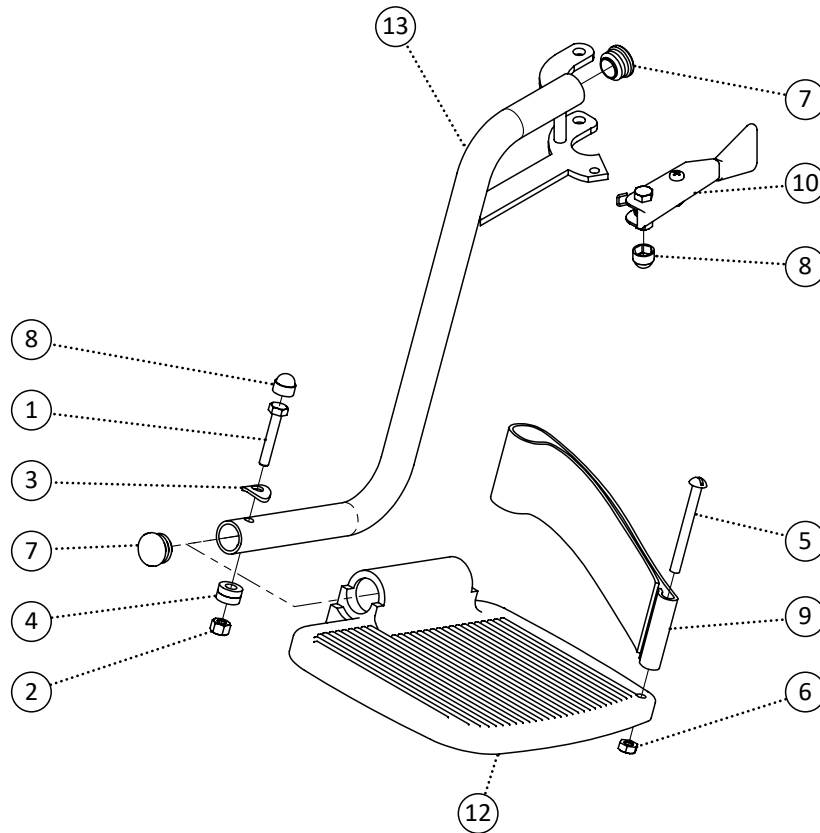
Item	REF Number	Description	Quantity	MSRP	Notes
1	548879	Nut, Rivet Nut 10-32	10		
2	548495	Cap, Round Plug 1 x 14ga	6		
3	549402	Cap, Rubber Cap 1 with Hole	2		
4	548498	Cap, Rubber Cap 1	2		
5	549406	Cap, Rubber Cap 1-3/16	2		
6	549575	PPM, Transit Frame 16 x 18	1		
7	549576	PPM, Transit Frame 18 x 18	1		
8	549577	PPM, Transit Frame 20 x 18	1		
9	549578	PPM, Transit Frame 22 x 18	1		
10	549579	PPM, Transit Frame 16 x 20	1		
11	549580	PPM, Transit Frame 18 x 20	1		
12	549581	PPM, Transit Frame 20 x 20	1		
13	549582	PPM, Transit Frame 22 x 20	1		
1-5,6	549583	Kit, Transit Frame 16 x 18 Complete	1		
1-5,7	549584	Kit, Transit Frame 18 x 18 Complete	1		
1-5,8	549585	Kit, Transit Frame 20 x 18 Complete	1		
1-5,9	549586	Kit, Transit Frame 22 x 18 Complete	1		
1-5,10	549587	Kit, Transit Frame 16 x 20 Complete	1		
1-5,11	549588	Kit, Transit Frame 18 x 20 Complete	1		
1-5,12	549589	Kit, Transit Frame 20 x 20 Complete	1		
1-5,13	549590	Kit, Transit Frame 22 x 20 Complete	1		



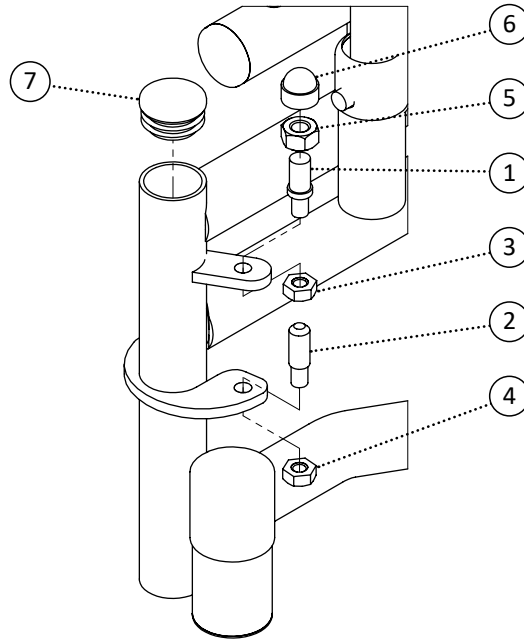
Item	REF Number	Description	Quantity	MSRP	Notes
1	549324	Screw, Flat Head 10-32 x 3/4	10		
2	549623	Washer, Cup Washer 10	10		
3	549624	PPM, Vinyl Transit Seat 16 x 18	1		
4	549625	PPM, Vinyl Transit Seat 16 x 20	1		
5	549626	PPM, Vinyl Transit Seat 18 x 18	1		
6	549627	PPM, Vinyl Transit Seat 18 x 20	1		
7	549628	PPM, Vinyl Transit Seat 20 x 18	1		
8	549629	PPM, Vinyl Transit Seat 20 x 20	1		
9	549630	PPM, Vinyl Transit Seat 22 x 18	1		
10	549631	PPM, Vinyl Transit Seat 22 x 20	1		
1-2,3	549558	Kit, Vinyl Transit Seat 16 x 18 Complete	1		
1-2,4	549559	Kit, Vinyl Transit Seat 16 x 20 Complete	1		
1-2,5	549560	Kit, Vinyl Transit Seat 18 x 18 Complete	1		
1-2,6	549561	Kit, Vinyl Transit Seat 18 x 20 Complete	1		
1-2,7	549562	Kit, Vinyl Transit Seat 20 x 18 Complete	1		
1-2,8	549563	Kit, Vinyl Transit Seat 20 x 20 Complete	1		
1-2,9	549564	Kit, Vinyl Transit Seat 22 x 18 Complete	1		
1-2,10	549565	Kit, Vinyl Transit Seat 22 x 20 Complete	1		



Item	REF Number	Description	Quantity	MSRP	Notes
1		Arm Pads			
2	549360	Screw, Round Head 10-24 x 1-1/4	2		
3	549615	Knob, Retractable Locking Spring Knob	1		
4	549616	Spring, Arm Base Locking Spring	1		
5	549331	Screw, Hex Bolt 1/4-20 x 2	1		
6	548870	Nut, Nylon Lock Nut Thin 1/4-20	1		
7	549429	Washer, Nylon Washer 1/4 ID. x 5/8 OD. x .062thk	2		
8	549423	Washer, Flat Washer 1/4 ID. x 5/8 OD.	1		
9	549433	Washer, Radius Washer 1/4 ID. x 1 OD. x 1cu	2		
10	548495	Cap, Round Plug 1 x 14ga	2		
11	549311	Nut, Rivet Nut 5/32	4		
12	549617	PPM, Transit ABS Side Panel	1		
13	549618	PPM, Transit Arm Base Flip Back Left	1		
14	549619	PPM, Transit Arm Base Flip Back Right	1		
<b>1-13</b>	<b>549620</b>	<b>Kit, Transit Flip Back Arm Left Complete</b>	<b>1</b>		
<b>1-14</b>	<b>549621</b>	<b>Kit, Transit Flip Back Arm Right Complete</b>	<b>1</b>		

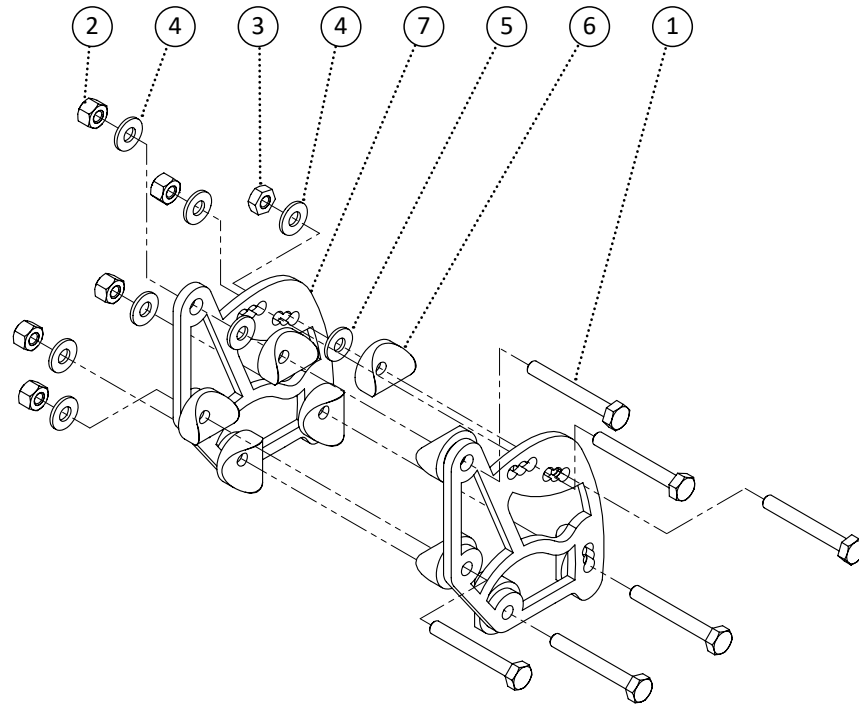


Item	REF Number	Description	Quantity	MSRP	Notes
1	549327	Screw, Hex Bolt 1/4-20 x 1-1/2	1		
2	548859	Nut, Nylon Lock Nut 1/4-20	1		
3	549413	Washer, Curved Washer .323 ID. x 3/4 OD. x .07thk	1		
4	549390	Spacer, Nylon Spacer 5/16 ID. x .6 OD. x .18thk (blk)	2		
5	549357	Screw, Round Head 1/4-20 x 2-1/2	1		
6	548870	Nut, Nylon Lock Nut Thin 1/4-20	1		
7	548495	Cap, Round Plug 1 x 14ga	2		
8	548480	Cap, 1/4 Nut Cap	1		
9	549400	Strap, Heel Loop Strap	1		
10	549594	Handle, Pin-Style Release Handle Left	1		
11	549595	Handle, Pin-Style Release Handle Right	1		
12	549596	Footplate, Swing Away Aluminum Footplate	1		
13	549597	PPM, Pin Style Footrest 70 Degree Left Transit	1		
14	549598	PPM, Pin Style Footrest 70 Degree Right Transit	1		
<b>1-9,10,12,13</b>	<b>549556</b>	<b>Kit, Pin Style Footrest 70 Degree Left Transit Complete</b>	<b>1</b>		
<b>1-9,11,12,13</b>	<b>549557</b>	<b>Kit, Pin Style Footrest 70 Degree Right Transit Complete</b>	<b>1</b>		

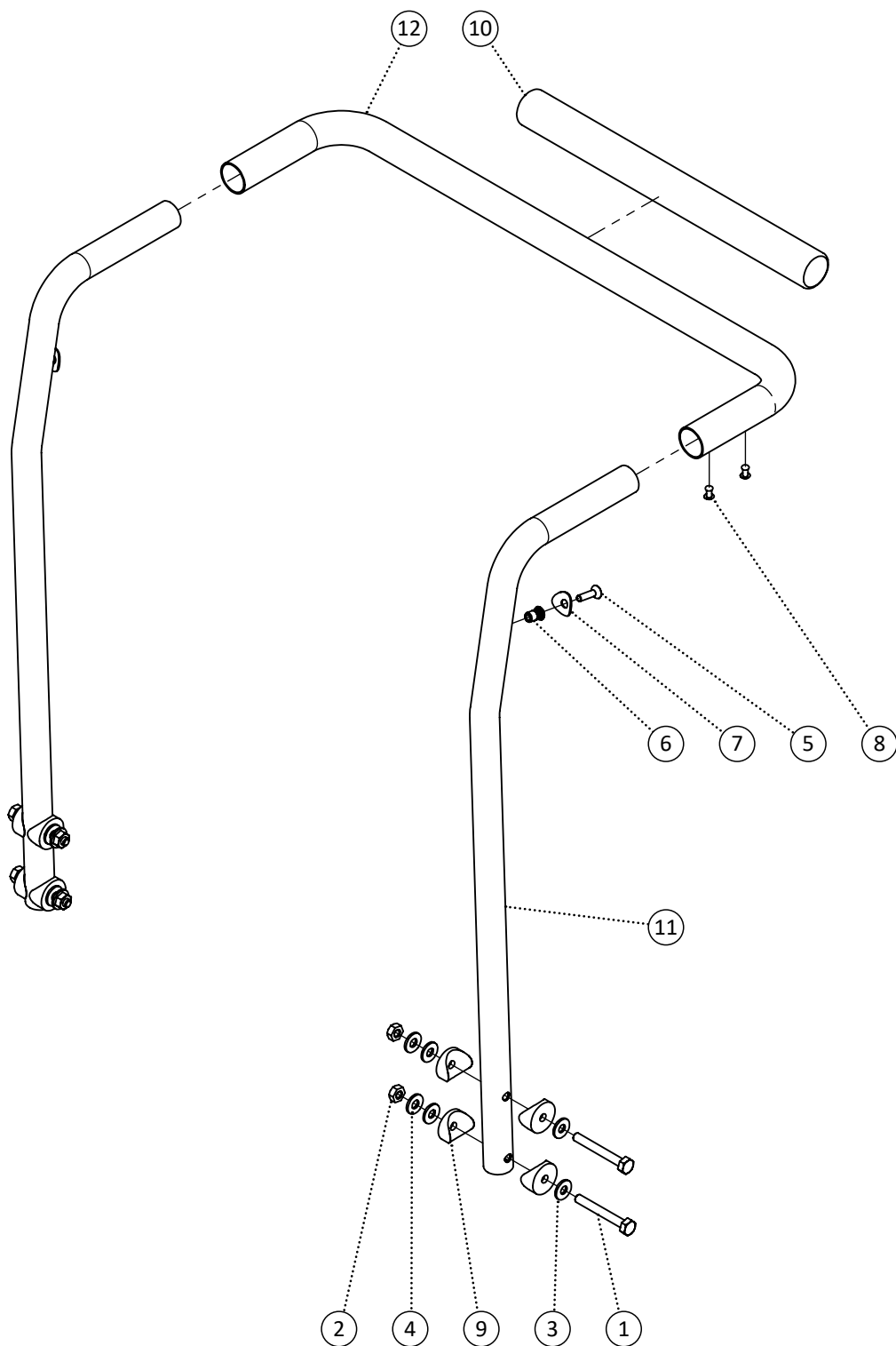


Item	REF Number	Description	Quantity	MSRP	Notes
1	549591	Pin, Pin Style Double Threaded Pin 5/16-18 and 1/4-28	1		
2	548885	Pin, Pin Style Pin 1/4-20 Long	1		
3	548872	Nut, Nylon Lock Nut Thin 1/4-28	1		
4	548870	Nut, Nylon Lock Nut Thin 1/4-20	1		
5	548862	Nut, Nylon Lock Nut 5/16-18	1		
6	548480	Cap, 1/4 Nut Cap	1		
7	548495	Cap, Round Plug 1 x 14ga	1		
<b>1-7</b>	<b>549592</b>	<b>Kit, Pin Style Footrest Receiver Hardware</b>	<b>1</b>		

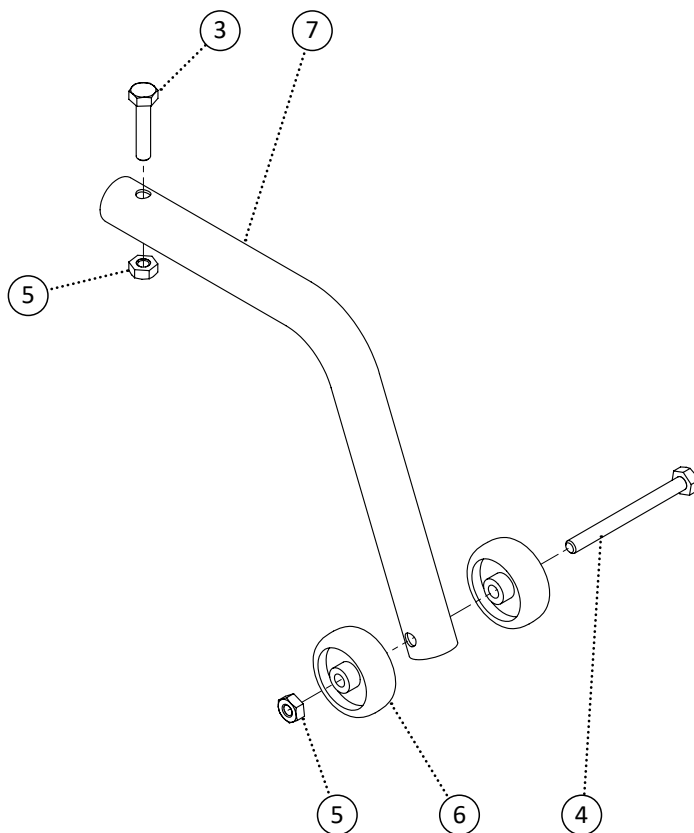




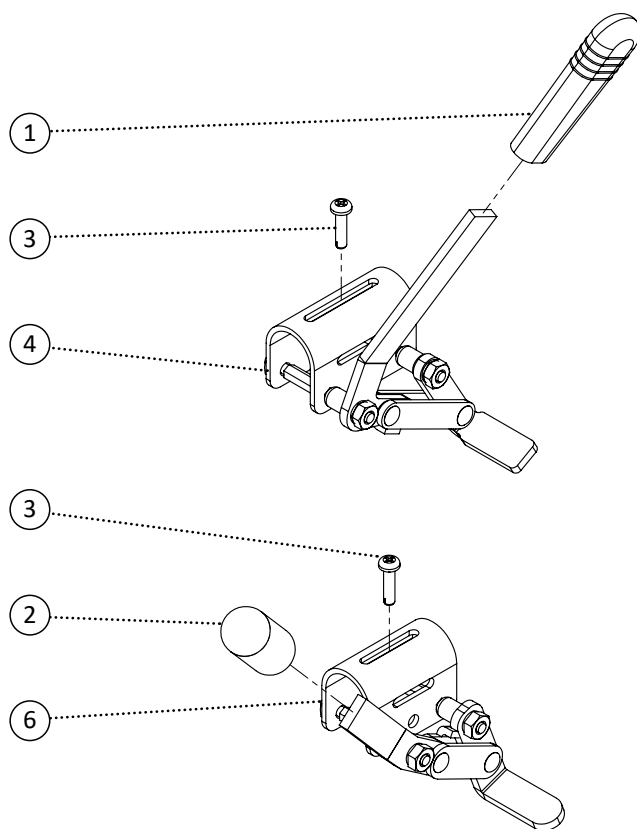
Item	REF Number	Description	Quantity	MSRP	Notes
1	549331	Screw, Hex Bolt 1/4-20 x 2	6		
2	548859	Nut, Nylon Lock Nut 1/4-20	6		
3	548870	Nut, Nylon Lock Nut Thin 1/4-20	1		
4	549423	Washer, Flat Washer 1/4 ID. x 5/8 OD.	6		
5	549429	Washer, Nylon Washer 1/4 ID. x 5/8 OD. x .062thk	6		
6	549433	Washer, Radius Washer 1/4 ID. x 1 OD. x 1cu	10		
7	548415	Bracket, Angle Adjustable Flip Back Bracket	2		
1-8	549593	Kit, Angle Adjustable Flip Back (TNP) Complete	1		



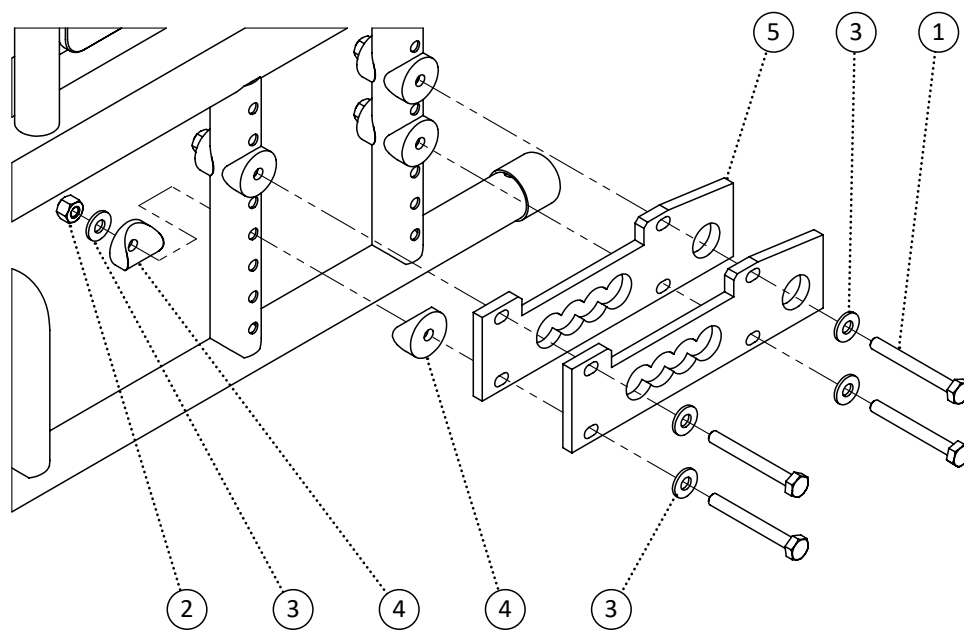
Item	REF Number	Description	Quantity	MSRP	Notes
1	549331	Screw, Hex Bolt 1/4-20 x 2	4		
2	548870	Nut, Nylon Lock Nut Thin 1/4-20	4		
3	549429	Washer, Nylon Washer 1/4 ID. x 5/8 OD. x .062thk	8		
4	549423	Washer, Flat Washer 1/4 ID. x 5/8 OD.	4		
5	549324	Screw, Flat Head 10-32 x 3/4	2		
6	548879	Nut, Rivet Nut 10-32	2		
7	549416	Washer, Curved Washer 1/4 ID. x 3/4 OD. x .04thk	2		
8	549311	Nut, Rivet Nut 5/32	4		
9	549433	Washer, Radius Washer 1/4 ID. x 1 OD. x 1cu	8		
10	548532	Grip, 1 Foam Grip	1		
11	549601	PPM, Transit Backpost Regular Length	2		
12	549602	PPM, Transit Fixed Spreader Bar 16	1		
13	549603	PPM, Transit Fixed Spreader Bar 18	1		
14	549604	PPM, Transit Fixed Spreader Bar 20	1		
15	549605	PPM, Transit Fixed Spreader Bar 22	1		
<b>1-7,9,11</b>	<b>549606</b>	<b>Kit, Transit Backpost Single Complete</b>	<b>1</b>		
<b>8,10,12</b>	<b>549607</b>	<b>Kit, Transit Fixed Spreader Bar 16 Complete</b>	<b>1</b>		
<b>8,10,13</b>	<b>549608</b>	<b>Kit, Transit Fixed Spreader Bar 18 Complete</b>	<b>1</b>		
<b>8,10,14</b>	<b>549609</b>	<b>Kit, Transit Fixed Spreader Bar 20 Complete</b>	<b>1</b>		
<b>8,10,15</b>	<b>549610</b>	<b>Kit, Transit Fixed Spreader Bar 22 Complete</b>	<b>1</b>		
<b>1-11,12</b>	<b>549611</b>	<b>Kit, Transit Backpost and Fixed Spreader Bar 16 Complete</b>	<b>1</b>		
<b>1-11,13</b>	<b>549612</b>	<b>Kit, Transit Backpost and Fixed Spreader Bar 18 Complete</b>	<b>1</b>		
<b>1-11,14</b>	<b>549613</b>	<b>Kit, Transit Backpost and Fixed Spreader Bar 20 Complete</b>	<b>1</b>		
<b>1-11,15</b>	<b>549614</b>	<b>Kit, Transit Backpost and Fixed Spreader Bar 22 Complete</b>	<b>1</b>		



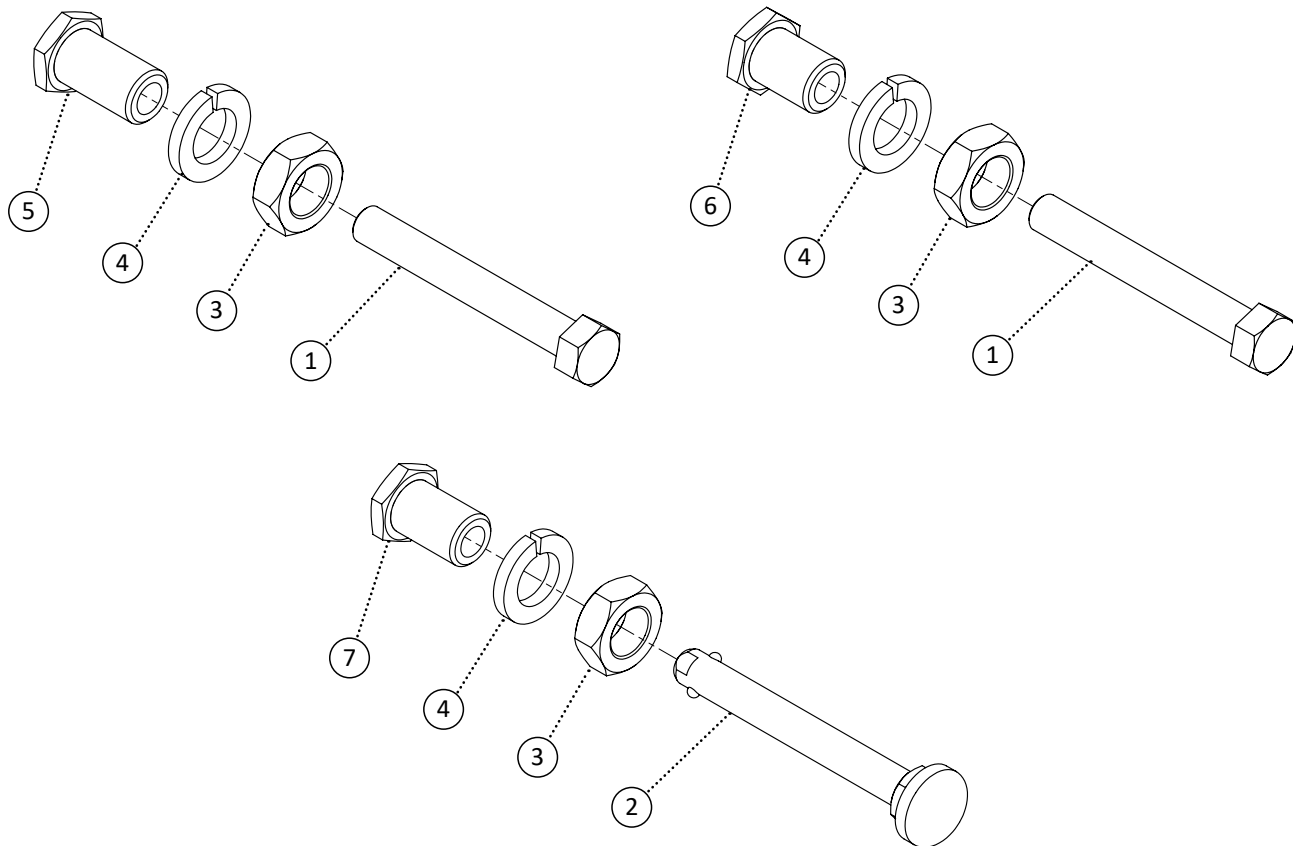
Item	REF Number	Description	Quantity	MSRP	Notes
1	549327	Screw, Hex Bolt 1/4-20 x 1-1/2	1		
2	548859	Nut, Nylon Lock Nut 1/4-20	1		
3	549329	Screw, Hex Bolt 1/4-20 x 1-1/4	1		
4	549312	Screw, Hex Bolt 1/4-20 x 2-3/4	1		
5	548870	Nut, Nylon Lock Nut Thin 1/4-20	1		
6	549317	Roller, Anti-Tipper Roller 1-5/8	2		
7	549313	PPM, Fixed Anti-Tipper Tube (TNP)	1		
<b>3-7</b>	<b>549572</b>	<b>Kit, Fixed Transit Anti-Tipper Complete</b>	<b>1</b>		
<b>1,2,4-7</b>	<b>549315</b>	<b>Kit, Fixed Transit Anti-Tipper Oxygen Tank Side Complete</b>	<b>1</b>		



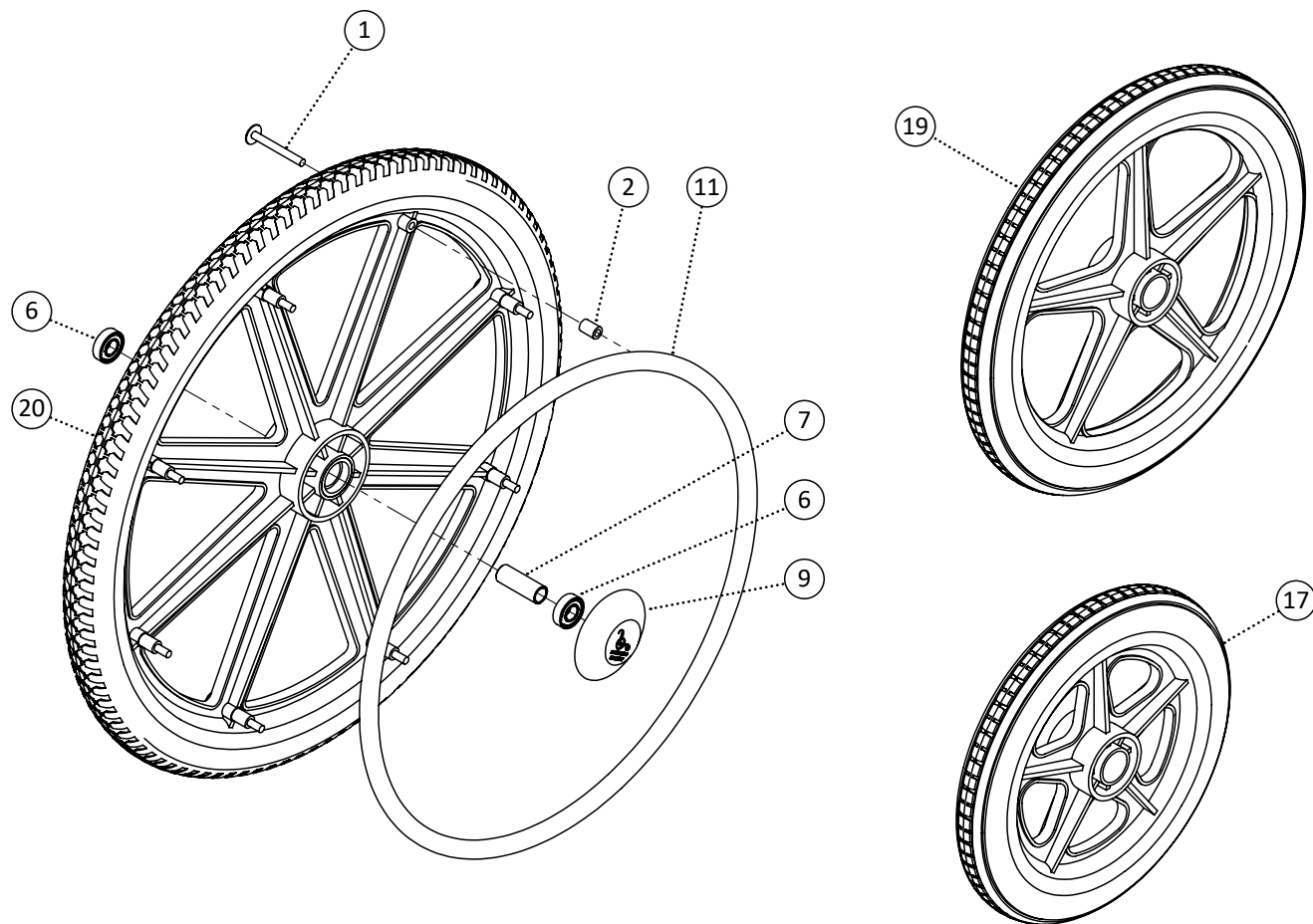
Item	REF Number	Description	Quantity	MSRP	Notes
1	548486	Cap, Brake Extension Cap Grey	1		
2	548484	Cap, Brake Extension Cap Black	1		
3	549380	Screw, Tapping M5-0.8 x 20	1		
4	548452	Brake, Steel Pull Wheel Lock Left	1		
5	548453	Brake, Steel Pull Wheel Lock Right	1		
6	548454	Brake, Steel Push Wheel Lock Left	1		
7	548455	Brake, Steel Push Wheel Lock Right	1		
1,3,4	548820	Kit, Steel Pull Wheel Lock Left Complete Kit	1		
1,3,5	548821	Kit, Steel Pull Wheel Lock Right Complete Kit	1		
1,3,6	548822	Kit, Steel Push Wheel Lock Left Complete Kit	1		
1,3,7	548823	Kit, Steel Push Wheel Lock Right Complete Kit	1		



Item	REF Number	Description	Quantity	MSRP	Notes
1	549329	Screw, Hex Bolt 1/4-20 x 1-1/4	4		
2	548859	Nut, Nylon Lock Nut 1/4-20	4		
3	549423	Washer, Flat Washer 1/4 ID. x 5/8 OD.	8		
4	549433	Washer, Radius Washer 1/4 ID. x 1 OD. x 1cu	8		
5	548436	Bracket, Horizontal Axle Plate	2		
<b>1-5</b>	<b>549622</b>	<b>Kit, Transit Axle Plate Complete</b>	<b>1</b>		



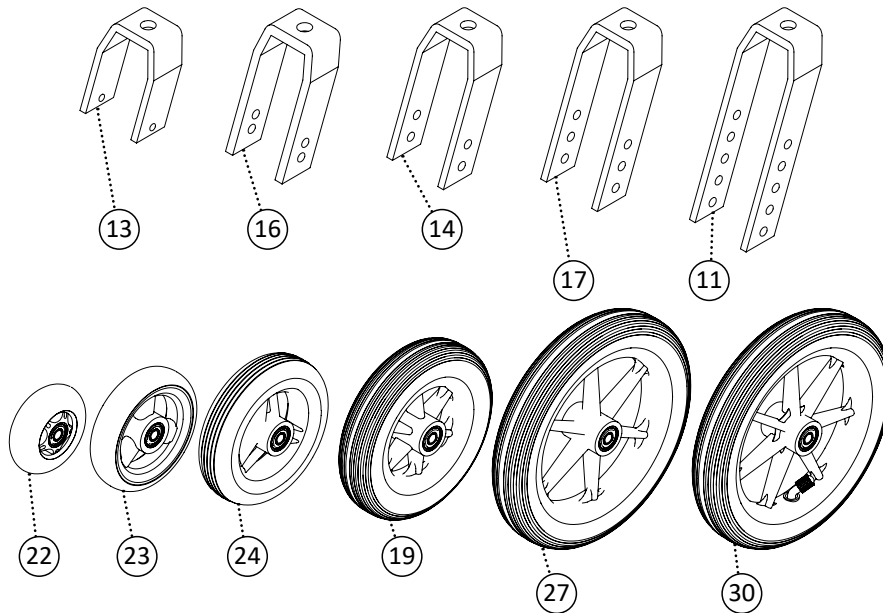
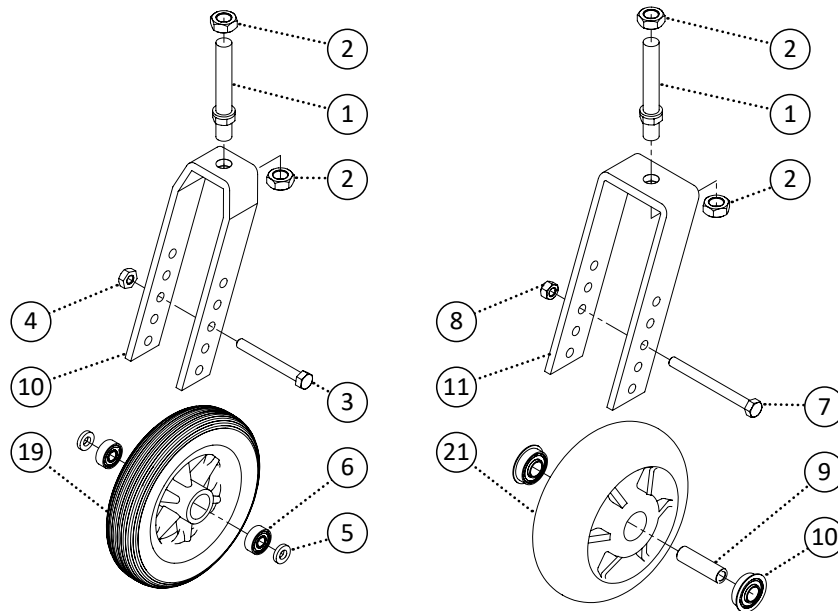
Item	REF Number	Description	Quantity	MSRP	Notes
1	548396	Axle, Bolt 1/2-20 x 3-3/4	1		
2	548397	Axle, Quick Release	1		
3	548854	Nut, Jam Nut 3/4-16	1		
4	549427	Washer, Lock Washer 3/4	1		
5	548393	Axle, Axle Receiver Bolted Long	1		
6	548394	Axle, Axle Receiver Bolted Short	1		
7	548395	Axle, Axle Receiver Quick Release	1		
1,3,4,5	548627	Kit, Axle Bolted Long	1		
1,3,4,6	548628	Kit, Axle Bolted Short	1		
2,3,4,7	548629	Kit, Axle Quick Release	1		



Item	REF Number	Description	Quantity	MSRP	Notes
1	549502	Screw, Pan Washer Head 1/4-20 x 2-1/4	8		
2	548467	Spacer, Nylon Spacer 1/4 ID x 7/16 OD. x .630thk	8		
3	549503	Screw, Pan Head 1/4-20 x 2	8		
4	549423	Washer, Flat Washer 1/4 ID. x 5/8 OD.	8		
5	549504	Spacer, Nylon Spacer 1/4 ID. x 7/16 OD. x .312thk	8		
6	548399	Ball Bearing, Ball Bearing 1/2	2		
7	548457	Bushing, Aluminum Wheel Bushing 1/2	1		
8	550002	Bushing, Aluminum Wheel Bushing Recessed 1/2	1		
9	549505	Cap, Wheel Hub Cap	1		
10	549506	Cap, Wheel Hub Cap Quick Release	1		
11	548547	Handrim, 20 Handrim Chrome Coated	1		
12	548550	Handrim, 22 Handrim Chrome Coated	1		
13	548553	Handrim, 24 Handrim Chrome Coated	1		
14	548548	Handrim, 20 Handrim Plastic Coated	1		
15	548551	Handrim, 22 Handrim Plastic Coated	1		
16	548554	Handrim, 24 Handrim Plastic Coated	1		
17	549507	Wheel, 12 Composite Wheel Smooth	1		
18	549508	Wheel, 12 Composite Wheel Regular	1		
19	549509	Wheel, 16 Composite Wheel Regular	1		

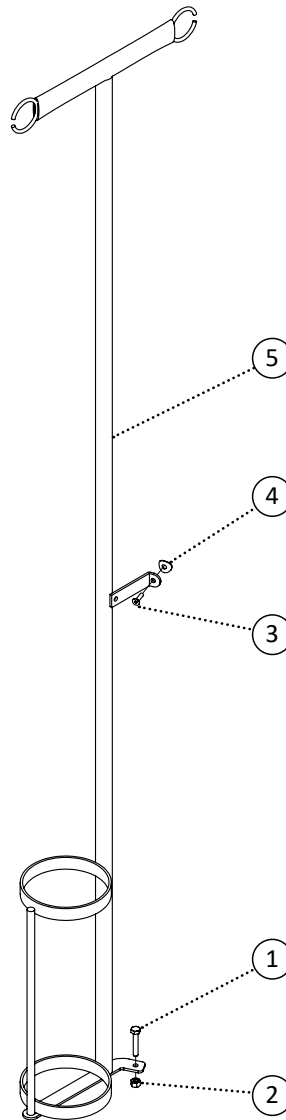


Item	REF Number	Description	Quantity	MSRP	Notes
20	549510	Wheel, 20 Composite Wheel Regular	1		
21	549511	Wheel, 22 Composite Wheel Regular	1		
22	549512	Wheel, 24 Composite Wheel Regular	1		
23	549513	Wheel, 20 Composite Wheel Pneumatic	1		
24	549514	Wheel, 22 Composite Wheel Pneumatic	1		
25	549515	Wheel, 24 Composite Wheel Pneumatic	1		
26	549999	Wheel, 20 Composite Wheel Recessed	1		
27	550000	Wheel, 22 Composite Wheel Recessed	1		
28	550001	Wheel, 24 Composite Wheel Recessed	1		
29	549516	Tire, 20 Wheel Pneumatic	1		
30	549517	Tire, 22 Wheel Pneumatic	1		
31	549518	Tire, 24 Wheel Pneumatic	1		
1,2,6,7,15	549519	Kit, 12 Composite Wheel Left Smooth Kit	1		
1,2,6,7,15	549520	Kit, 12 Composite Wheel Right Smooth Kit	1		
1,2,6,7,16	549521	Kit, 12 Composite Wheel Left Rough Kit	1		
1,2,6,7,16	549522	Kit, 12 Composite Wheel Right Rough Kit	1		
1,2,6,7,17	549523	Kit, 16 Composite Wheel Left Regular Kit	1		
1,2,6,7,17	549524	Kit, 16 Composite Wheel Right Regular Kit	1		
1,2,6,7,9,11,20	549525	Kit, 20 Composite Wheel Left Regular Kit	1		
1,2,6,7,9,11,20	549526	Kit, 20 Composite Wheel Right Regular Kit	1		
1,2,6,7,9,12,21	549527	Kit, 22 Composite Wheel Left Regular Kit	1		
1,2,6,7,9,12,21	549528	Kit, 22 Composite Wheel Right Regular Kit	1		
1,2,6,7,9,13,22	549529	Kit, 24 Composite Wheel Left Regular Kit	1		
1,2,6,7,9,13,22	549530	Kit, 24 Composite Wheel Right Regular Kit	1		
1,2,6,7,9,14,20,23	549531	Kit, 20 Composite Wheel Left Pneumatic Kit	1		
1,2,6,7,9,14,20,23	549532	Kit, 20 Composite Wheel Right Pneumatic Kit	1		
1,2,6,7,9,15,21,24	549533	Kit, 22 Composite Wheel Left Pneumatic Kit	1		
1,2,6,7,9,15,21,24	549534	Kit, 22 Composite Wheel Right Pneumatic Kit	1		
1,2,6,7,9,16,22,25	549535	Kit, 24 Composite Wheel Left Pneumatic Kit	1		
1,2,6,7,9,16,22,25	549536	Kit, 24 Composite Wheel Right Pneumatic Kit	1		
1,2,6,8,9,16,26	550003	Kit, 20 Composite Wheel Left Recessed Kit	1		
1,2,6,8,9,16,26	550004	Kit, 20 Composite Wheel Right Recessed Kit	1		
1,2,6,8,9,16,27	550005	Kit, 22 Composite Wheel Left Recessed Kit	1		
1,2,6,8,9,16,27	550006	Kit, 22 Composite Wheel Right Recessed Kit	1		
1,2,6,8,9,16,28	550007	Kit, 24 Composite Wheel Left Recessed Kit	1		
1,2,6,8,9,16,28	550008	Kit, 24 Composite Wheel Right Recessed Kit	1		

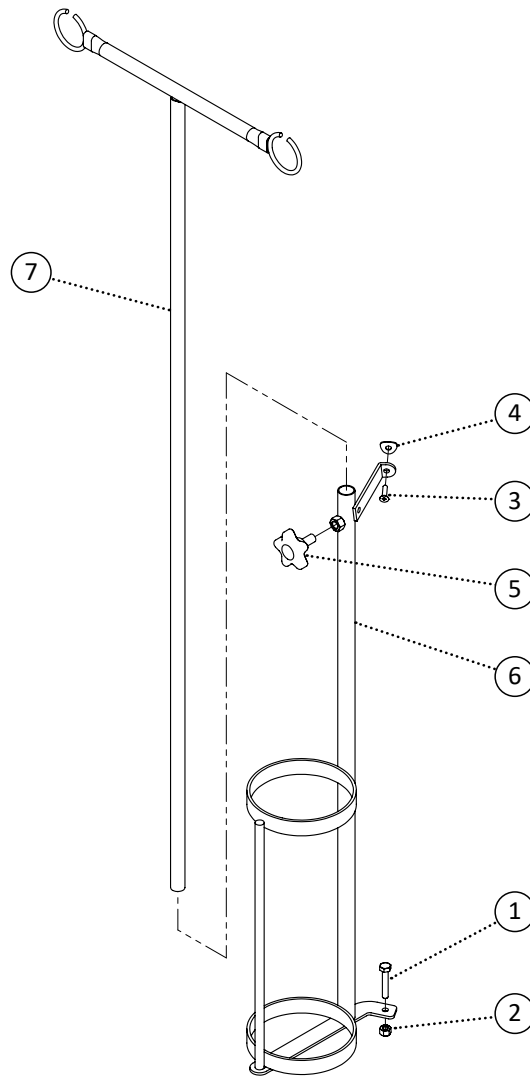


Item	REF Number	Description	Quantity	MSRP	Notes
1	549322	Screw, Double Sided Screw 1/2-20 x 3-5/8	1		
2	548857	Nut, Lock Nut 1/2-20	1		
3	549342	Screw, Hex Bolt 5/16-18 x 2-3/4	1		
4	548875	Nut, Nylon Lock Nut Thin 5/16-18	1		
5	549389	Spacer, Nylon Spacer 5/16 ID. x .6 OD x .12thk (wht)	2		
6	548401	Ball Bearing, Caster Wheel	2		
7	549343	Screw, Hex Bolt 5/16-18 x 3-1/2	1		
8	548862	Nut, Nylon Lock Nut 5/16-18	1		
9	548466	Bushing, Heavy Duty Caster Bushing	1		
10	548402	Ball Bearing, Caster Wheel Heavy Duty	2		

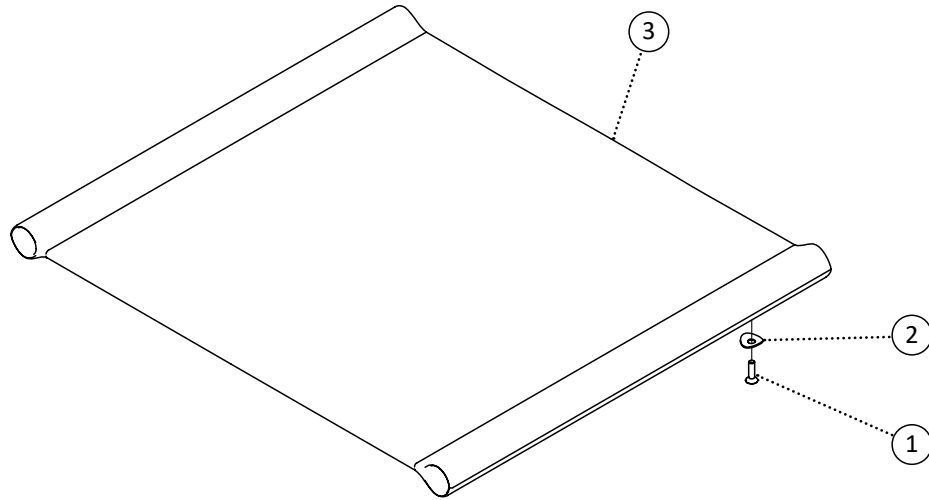
Item	REF Number	Description	Quantity	MSRP	Notes
11	548425	Bracket, Caster Fork 5-Hole Aluminum	1		
12	548426	Bracket, Caster Fork 5-Hole Steel	1		
13	548419	Bracket, Caster Fork 1-Hole Short	1		
14	548420	Bracket, Caster Fork 2-Hole Aluminum	1		
15	548422	Bracket, Caster Fork 2-Hole Steel	1		
16	548421	Bracket, Caster Fork 2-Hole Narrow Aluminum	1		
17	548423	Bracket, Caster Fork 3-Hole Aluminum	1		
18	548424	Bracket, Caster Fork 3-Hole Steel	1		
19	549476	Wheel, 6 x 1.25 Caster	1		
20	549477	Wheel, 6 x 1.75 Caster	1		
21	549478	Wheel, 6 x 2 Caster	1		
22	549471	Wheel, 3 Caster	1		
23	549472	Wheel, 4 Caster	1		
24	549473	Wheel, 5 x 1.25 Caster	1		
25	549474	Wheel, 5 x 1.75 Caster	1		
26	549475	Wheel, 5 x 2 Caster	1		
27	549480	Wheel, 8 x 1.25 Caster Polyurethane	1		
28	549481	Wheel, 8 x 1.75 Caster Polyurethane	1		
29	549482	Wheel, 8 x 2 Caster Polyurethane	1		
30	549479	Wheel, 8 x 1.25 Caster Pneumatic	1		
<b>1-4,11</b>	<b>548689</b>	<b>Kit, Caster Fork 5-Hole Aluminum Complete</b>	<b>1</b>		
<b>1,2,7,8,12</b>	<b>548690</b>	<b>Kit, Caster Fork 5-Hole Steel Complete</b>	<b>1</b>		
<b>1-4,13</b>	<b>548683</b>	<b>Kit, Caster Fork 1-Hole Short Complete</b>	<b>1</b>		
<b>1-4,14</b>	<b>548684</b>	<b>Kit, Caster Fork 2-Hole Aluminum Complete</b>	<b>1</b>		
<b>1,2,7,8,15</b>	<b>548686</b>	<b>Kit, Caster Fork 2-Hole Steel Complete</b>	<b>1</b>		
<b>1-4,16</b>	<b>548685</b>	<b>Kit, Caster Fork 2-Hole Narrow Aluminum Complete</b>	<b>1</b>		
<b>1-4,17</b>	<b>548687</b>	<b>Kit, Caster Fork 3-Hole Aluminum Complete</b>	<b>1</b>		
<b>1,2,7,8,18</b>	<b>548688</b>	<b>Kit, Caster Fork 3-Hole Steel Complete</b>	<b>1</b>		
<b>3-6,19</b>	<b>548571</b>	<b>Kit, 6 x 1.25 Caster Complete</b>	<b>1</b>		
<b>3-6,20</b>	<b>548572</b>	<b>Kit, 6 x 1.75 Caster Complete</b>	<b>1</b>		
<b>7-10,21</b>	<b>548573</b>	<b>Kit, 6 x 2 Caster Complete</b>	<b>1</b>		
<b>3-6,22</b>	<b>548566</b>	<b>Kit, 3 Caster Complete</b>	<b>1</b>		
<b>3-6,23</b>	<b>548567</b>	<b>Kit, 4 Caster Complete</b>	<b>1</b>		
<b>3-6,24</b>	<b>548568</b>	<b>Kit, 5 x 1.25 Caster Complete</b>	<b>1</b>		
<b>3-6,25</b>	<b>548569</b>	<b>Kit, 5 x 1.75 Caster Complete</b>	<b>1</b>		
<b>7-10,26</b>	<b>548570</b>	<b>Kit, 5 x 2 Caster Complete</b>	<b>1</b>		
<b>3-6,27</b>	<b>548575</b>	<b>Kit, 8 x 1.25 Caster Polyurethane Complete</b>	<b>1</b>		
<b>3-6,28</b>	<b>548576</b>	<b>Kit, 8 x 1.75 Caster Polyurethane Complete</b>	<b>1</b>		
<b>7-10,29</b>	<b>548577</b>	<b>Kit, 8 x 2 Caster Polyurethane Complete</b>	<b>1</b>		
<b>3-6,30</b>	<b>548574</b>	<b>Kit, 8 x 1.25 Caster Pneumatic Complete</b>	<b>1</b>		



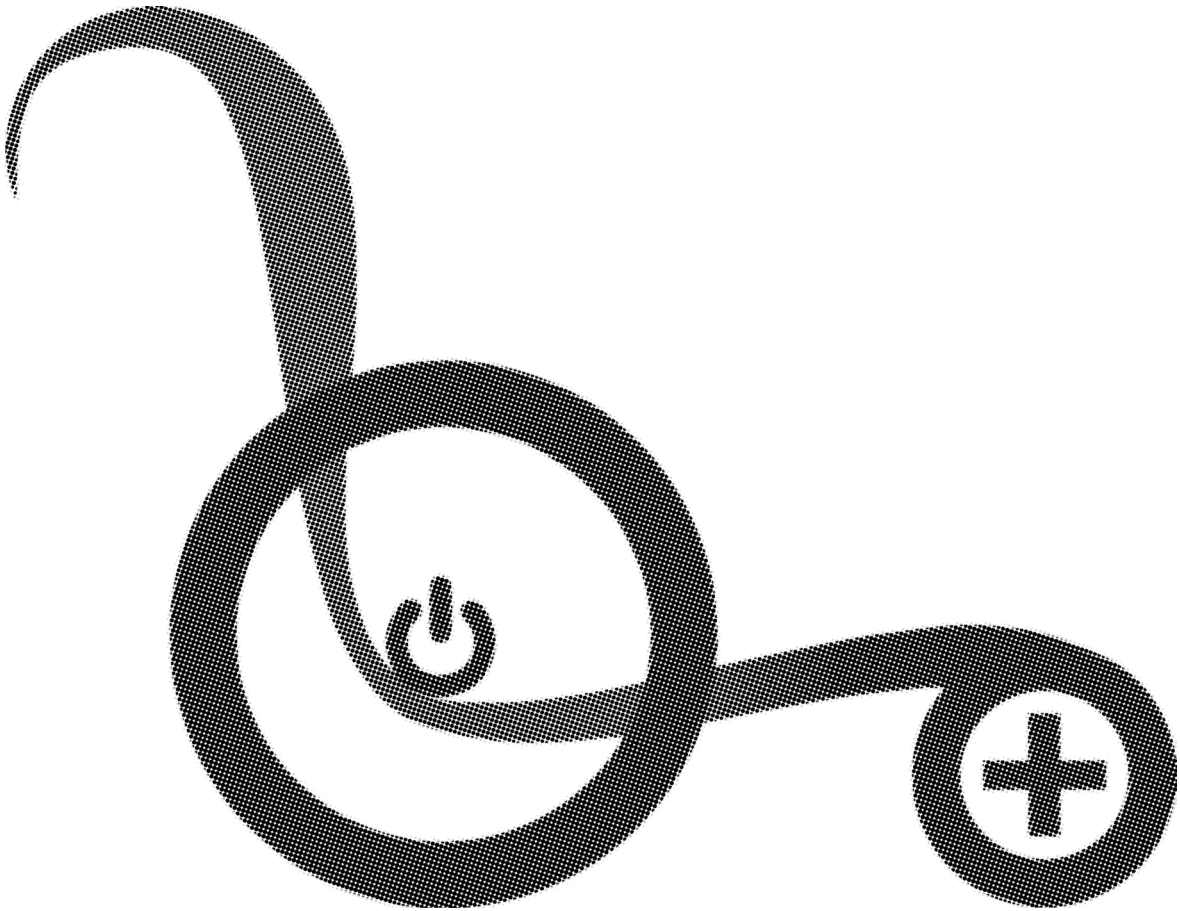
Item	REF Number	Description	Quantity	MSRP	Notes
1	549327	Screw, Hex Bolt 1/4-20 x 1-1/2	1		
2	548859	Nut, Nylon Lock Nut 1/4-20	1		
3	549324	Screw, Flat Head 10-32 x 3/4	1		
4	549416	Washer, Curved Washer 1/4 ID. x 3/4 OD. x .04thk	1		
5	549459	PPM, Oxygen Tank and I.V. Pole Fixed	1		
1-5	549460	Kit, I.V. Pole Fixed and Oxygen Tank (TNP) Complete	1		



Item	REF Number	Description	Quantity	MSRP	Notes
1	549327	Screw, Hex Bolt 1/4-20 x 1-1/2	1		
2	548859	Nut, Nylon Lock Nut 1/4-20	1		
3	549324	Screw, Flat Head 10-32 x 3/4	1		
4	549416	Washer, Curved Washer 1/4 ID. x 3/4 OD. x .04thk	1		
5	548842	Knob, 5-Prong 3/8-16 x 3/4	1		
6	549316	PPM, Oxygen Tank and I.V. Pole Receiver	1		
7	549106	PPM, I.V. Pole Extension	1		
<b>1-7</b>	<b>549318</b>	<b>Kit, I.V. Pole Adjustable and Oxygen Tank (TNP) Complete</b>	<b>1</b>		



Item	REF Number	Description	Quantity	MSRP	Notes
1	549324	Screw, Flat Head 10-32 x 3/4	2		
2	549416	Washer, Curved Washer 1/4 ID. x 3/4 OD. x .04thk	2		
3	549632	PPM, Vinyl Transit Back 16 x 18	1		
4	549633	PPM, Vinyl Transit Back 18 x 18	1		
5	549634	PPM, Vinyl Transit Back 20 x 18	1		
6	549635	PPM, Vinyl Transit Back 22 x 18	1		
1-2,3	549566	Kit, Vinyl Transit Back 16 x 18 Complete	1		
1-2,4	549567	Kit, Vinyl Transit Back 18 x 18 Complete	1		
1-2,5	549568	Kit, Vinyl Transit Back 20 x 18 Complete	1		
1-2,6	549569	Kit, Vinyl Transit Back 22 x 18 Complete	1		



# REFERENCE INDEX

548393 15  
548394 15  
548395 15  
548396 15  
548397 15  
548399 16  
548401 18  
548402 18  
548415 9  
548419 19  
548420 19  
548421 19  
548422 19  
548423 19  
548424 19  
548425 19  
548426 19  
548436 14  
548452 13  
548453 13  
548454 13  
548455 13  
548457 16  
548466 18  
548467 16  
548480 7, 8  
548484 13  
548486 13  
548495 4, 6, 7, 8  
548498 4  
548532 11  
548547 16  
548548 16  
548550 16  
548551 16  
548553 16  
548554 16  
548566 19  
548567 19  
548568 19  
548569 19  
548570 19  
548571 19  
548572 19  
548573 19  
548574 19  
548575 19  
548576 19  
548577 19  
548627 15  
548628 15  
548629 15  
548683 19  
548684 19  
548685 19  
548686 19  
548687 19

548688 19  
548689 19  
548690 19  
548820 13  
548821 13  
548822 13  
548823 13  
548842 21  
548854 15  
548857 18  
548859 7, 9, 12, 14, 20, 21  
548862 8, 18  
548870 6, 7, 8, 9, 11, 12  
548872 8  
548875 18  
548879 4, 11  
548885 8  
549106 21  
549311 6, 11  
549312 12  
549313 12  
549315 12  
549316 21  
549317 12  
549318 21  
549322 18  
549324 5, 11, 20, 21, 22  
549327 7, 12, 20, 21  
549329 12, 14  
549331 6, 9, 11  
549342 18  
549343 18  
549357 7  
549360 6  
549380 13  
549389 18  
549390 7  
549400 7  
549402 4  
549406 4  
549413 7  
549416 11, 20, 21, 22  
549423 6, 9, 11, 14, 16  
549427 15  
549429 6, 9, 11  
549433 6, 9, 11, 14  
549459 20  
549460 20  
549471 19  
549472 19  
549473 19  
549474 19  
549475 19  
549476 19  
549477 19  
549478 19  
549479 19

549480 19  
549481 19  
549482 19  
549502 16  
549503 16  
549504 16  
549505 16  
549506 16  
549507 16  
549508 16  
549509 16  
549510 17  
549511 17  
549512 17  
549513 17  
549514 17  
549515 17  
549516 17  
549517 17  
549518 17  
549519 17  
549520 17  
549521 17  
549522 17  
549523 17  
549524 17  
549525 17  
549526 17  
549527 17  
549528 17  
549529 17  
549530 17  
549531 17  
549532 17  
549533 17  
549534 17  
549535 17  
549536 17  
549556 7  
549557 7  
549558 5  
549559 5  
549560 5  
549561 5  
549562 5  
549563 5  
549564 5  
549565 5  
549566 22  
549567 22  
549568 22  
549569 22  
549572 12  
549575 4  
549576 4  
549577 4  
549578 4

549579 4  
549580 4  
549581 4  
549582 4  
549583 4  
549584 4  
549585 4  
549586 4  
549587 4  
549588 4  
549589 4  
549590 4  
549591 8  
549592 8  
549593 9  
549594 7  
549595 7  
549596 7  
549597 7  
549598 7  
549601 11  
549602 11  
549603 11  
549604 11  
549605 11  
549606 11  
549607 11  
549608 11  
549609 11  
549610 11  
549611 11  
549612 11  
549613 11  
549614 11  
549615 6  
549616 6  
549617 6  
549618 6  
549619 6  
549620 6  
549621 6  
549622 14  
549623 5  
549624 5  
549625 5  
549626 5  
549627 5  
549628 5  
549629 5  
549630 5  
549631 5  
549632 22  
549633 22  
549634 22  
549635 22  
549999 17  
550000 17



550001 17  
550002 16  
550003 17  
550004 17  
550005 17  
550006 17  
550007 17  
550008 17

## TRANSIT



**POWERPLUSMOBILITY.COM**

50 Malcolm Road | Guelph, ON | Canada N1K 1A9  
Telephone (519)-763-9976 | Fax (519)-837-1832