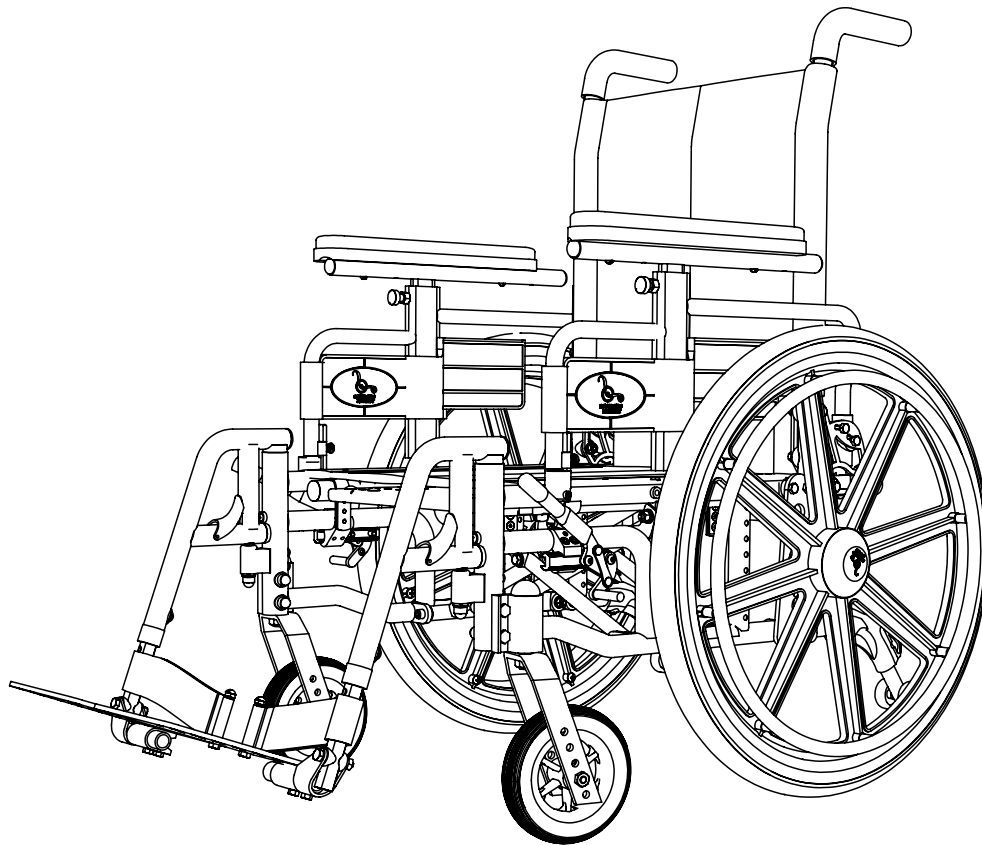


MAGIC PLUS

PARTS BOOK



CONTENTS

FRAMES

MAGIC PLUS - SIDE FRAME	6
CROSS LINK - LEFT	8
CROSS LINK - RIGHT.....	9
ALUMINUM - CROSS BRACE.....	10
STEEL - CROSS BRACE	12

SEATS

AMPUTEE BOARD ON FOOTREST	14
AMPUTEE SEAT PAN	16
FOLDING CHAIR - DROP DOWN BASE.....	18
FOLDING CHAIR - SEAT SLING	20

ARMS

ARM REST - REGULAR	22
ARM REST - REGULAR SHORT	23
ARM REST - FLIP BACK.....	24
ARM REST - FLIP BACK SHORT	26
ARM TOP	28
ARM PADS	30
ARM BLOCK - FOLDING	31

FOOTRESTS

PIVOT FOOTREST	32
ELEVATING LEGREST PIVOT	34
ARTICULATING LEGREST PIVOT.....	36
70 DEGREE PIVOT FOOTREST	38
ONE PIECE FOOT BOARD	39
GUARD COVERS	40
FOOTBOX.....	42
FOOT POCKET.....	44

HEADRESTS

MULTI AXIS NECK (S-BEND)	46
MULTI AXIS NECK (L-BEND)	47
VERTICAL HORIZONTAL NECK 1/2	48
VERTICAL HORIZONTAL NECK 3/4	49
VERTICAL HORIZONTAL MULTI-AXIS NECK 1/2.....	50
HEADREST PADS.....	52
UNIVERSAL HEADREST MOUNT	53
HEADREST MOUNT 1/2	54
HEADREST MOUNT 3/4	55
LATERAL FIXED STANDARD.....	56
LATERAL FIXED SHORT	57
LATERAL FIXED LONG	58
LATERAL MULTI-AXIS 90	59

BACKPOST

FOLDING CHAIR - ANGLE ADJUSTABLE FLIP BACK.....	60
BACK PINS	62
BACKPOST CLAMP	63
BACKPOST SINGLE	64
BACKPOST SINGLE WITH SPREADER BAR	66

ANTI-TIPPERS

ANTI-TIPPER	68
ANTI-TIPPER SHORT	69

WHEEL LOCKS

ALUMINUM WHEEL LOCK.....	70
STEEL WHEEL LOCK	71
ONE HANDED WHEEL LOCK	72

PLATES & AXLES

MAGIC PLUS - AXLE PLATE	73
AXLE	74

REAR WHEELS

COMPOSITE WHEEL.....	76
SPOKE WHEEL.....	78
COMPOSITE WHEEL HEAVY DUTY.....	79

CASTERS

CASTERS AND FORKS.....	80
FOLDING CHAIR - CASTER MOUNT.....	82
FOLDING CHAIR - CASTER EXTENSION MOUNT.....	83

ACCESSORIES

I.V. POLE OFFSET.....	84
I.V. POLE STRAIGHT	85
OXYGEN TANK HOLDER	86
ADDUCTOR - L-BRACKET	88
ADDUCTOR - P-CLIP.....	89
ADDUCTOR WEDGE - P-CLIP	90
AUTO-STYLE BELT.....	92
NYLON LEG STRAP	94
LEG CHANNEL.....	95
FOLDING CHAIR - TIE DOWN - FRONT	96
FOLDING CHAIR - TIE DOWN - REAR.....	97

TRAYS

FULL TRAY - LOCKING	98
FULL TRAY - SLIDE ON	99
HALF TRAY - SLIDE ON	100
TROUGH TRAY - SLIDE ON	101

BACKS

FOLDING CHAIR - NYLON BACK.....	102
FOLDING CHAIR - NYLON BACK.....	103

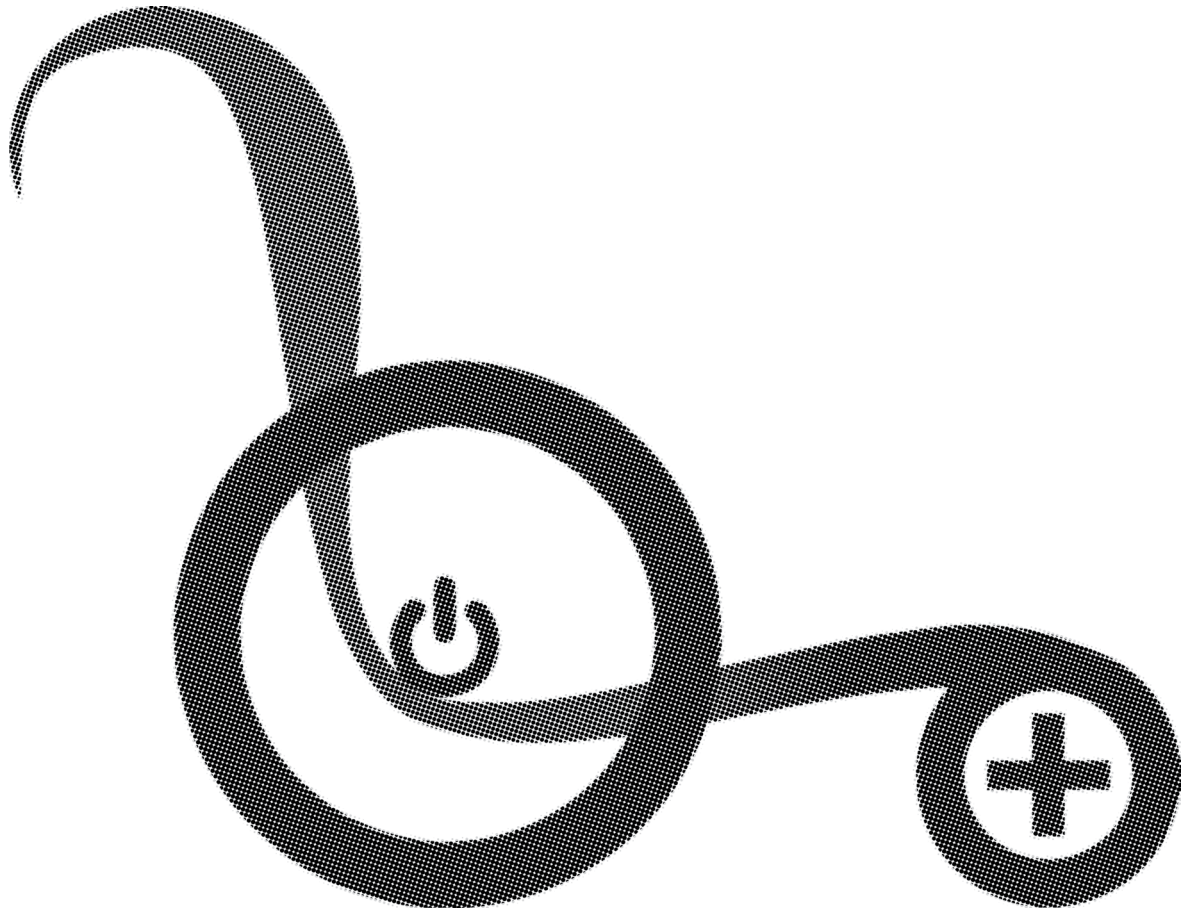
REFERENCE INDEX

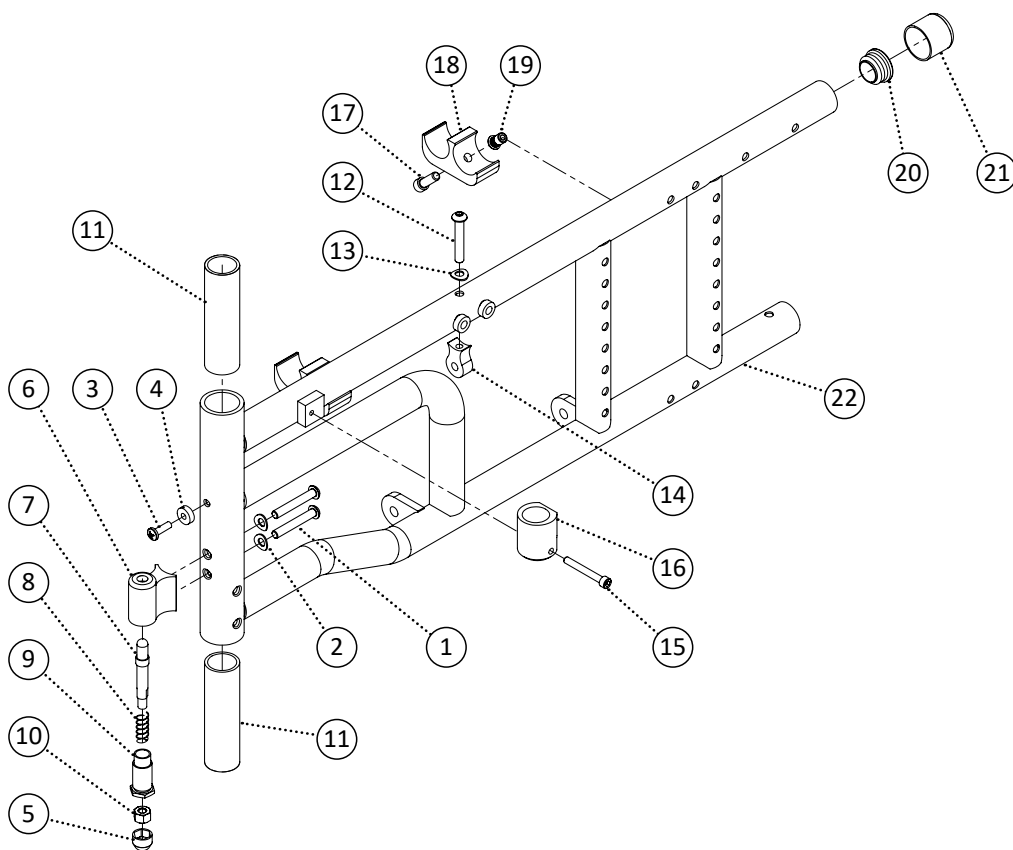
At Power Plus Mobility, we care!

Thank you for choosing a wheelchair from Power Plus Mobility Inc. We are always improving in our ways to serve you better and would love to hear your questions or comments about our literatures, the reliability of our chairs and service you received while making the decision of choosing our wheelchair. Please feel free to contact us via our email address: customer@powerplusmobility.com

QUESTIONS REGARDING YOUR WHEELCHAIR?

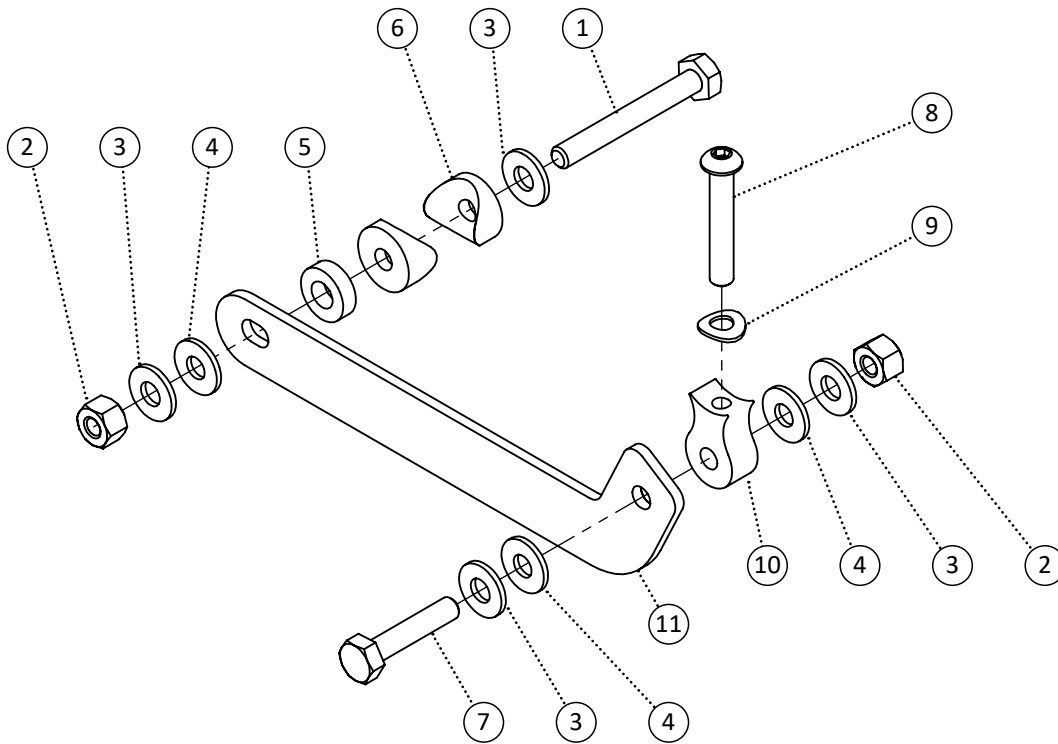
The best way to get your questions answered is by your authorized wheelchair dealer since they know your wheelchair and have the training for it. Please fill in your dealers information below so you have it handy just in case you have any questions or concerns about your wheelchair. Your dealer will guide you on the right direction to take any further steps.



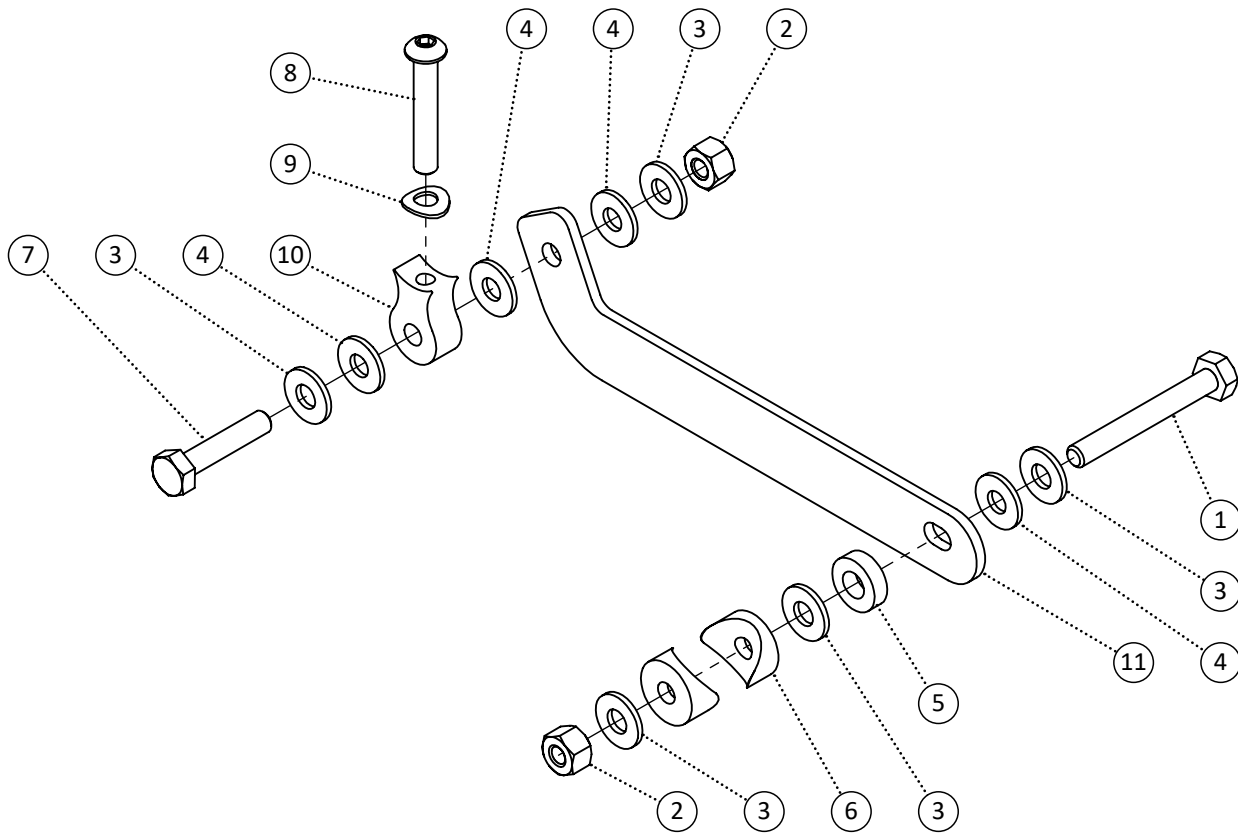


Item	REF Number	Description	Quantity	MSRP	Notes
1	549353	Screw, Pan Head M6-1.0 x 40	2		
2	549414	Washer, Curved Washer 1/4 ID. x 1/2 OD. x .037thk	2		
3	549351	Screw, Pan Head 10-32 x 5/8	1		
4	549388	Spacer, Nylon Spacer 3/16 ID. x .516 OD. x .171thk	1		
5	548480	Cap, 1/4 Nut Cap	1		
6	548411	Block, Pivot Footrest Block	1		
7	548889	Pin, Pivot Footrest Block Pin	1		
8	549398	Spring, Pivot Footrest Block Spring	1		
9	548876	Nut, Pivot Footrest Block Nut	1		
10	548859	Nut, Nylon Lock Nut 1/4-20	1		
11	548464	Bushing, Front Post Insert 1/4ga	2		
12	549349	Screw, Pan Head 1/4-20 x 1-1/2	1		
13	549414	Washer, Curved Washer 1/4 ID. x 1/2 OD. x .037thk	1		
14	548409	Block, Cross Link Mount Block	1		
15	549374	Screw, Socket Head 10-32 x 1-1/2	1		
16	548407	Block, Arm Receiver Block	1		
17	549371	Screw, Socket Head 1/4-20 x 3/4	2-3		
18	548408	Block, Cross Brace Hanger Block	2-3		
19	548878	Nut, Rivet Nut 1/4-20	2-3		

Item	REF Number	Description	Quantity	MSRP	Notes
20	548495	Cap, Round Plug 1 x 14ga	1		
21	548498	Cap, Rubber Cap 1	1		
22	549110	PPM, Magic Plus Side Frame Left 16	1		
23	549113	PPM, Magic Plus Side Frame Right 16	1		
24	549111	PPM, Magic Plus Side Frame Left 18	1		
25	549114	PPM, Magic Plus Side Frame Right 18	1		
26	549112	PPM, Magic Plus Side Frame Left 20	1		
27	549115	PPM, Magic Plus Side Frame Right 20	1		
1-21,22	548748	Kit, Magic Plus Side Frame Left 16 Complete	1		
1-21,23	548751	Kit, Magic Plus Side Frame Right 16 Complete	1		
1-21,24	548749	Kit, Magic Plus Side Frame Left 18 Complete	1		
1-21,25	548752	Kit, Magic Plus Side Frame Right 18 Complete	1		
1-21,26	548750	Kit, Magic Plus Side Frame Left 20 Complete	1		
1-21,27	548753	Kit, Magic Plus Side Frame Right 20 Complete	1		

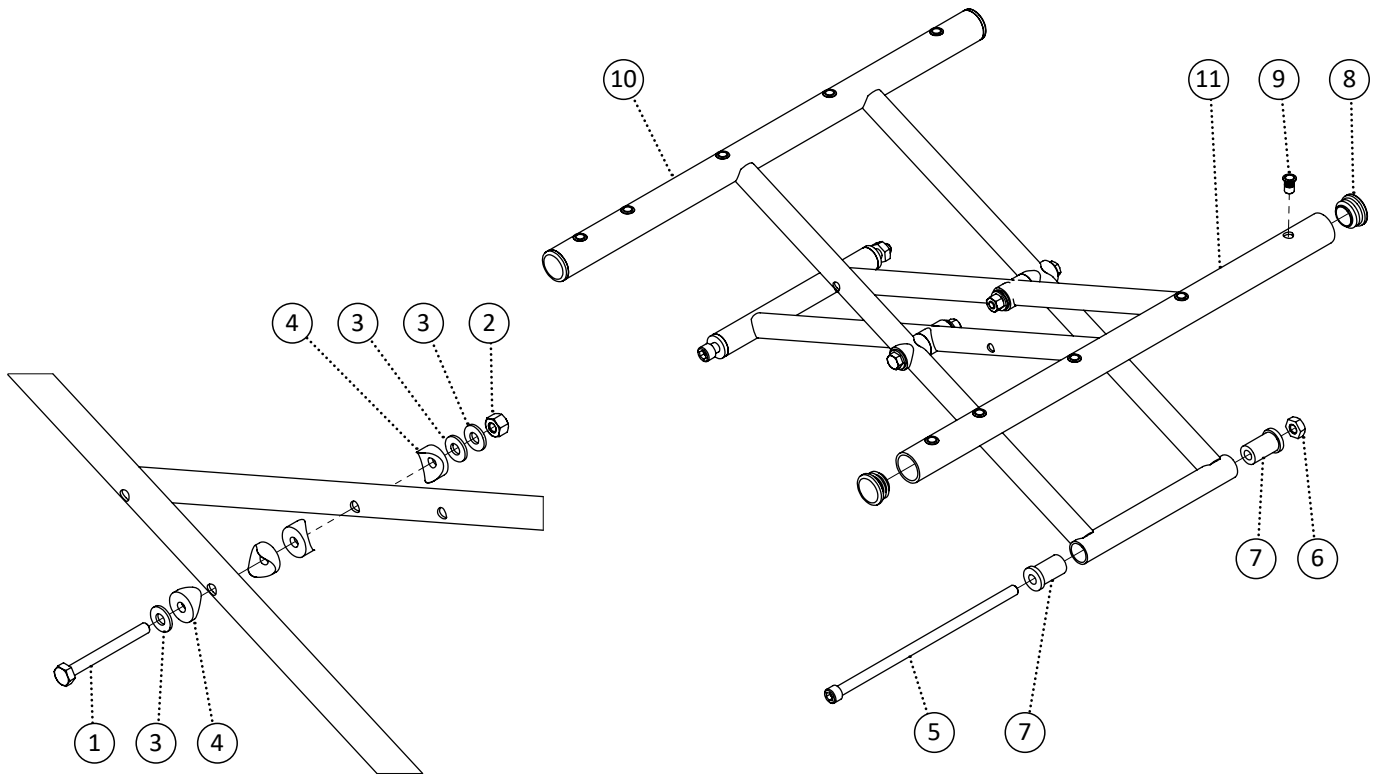


Item	REF Number	Description	Quantity	MSRP	Notes
1	549331	Screw, Hex Bolt 1/4-20 x 2	1		
2	548859	Nut, Nylon Lock Nut 1/4-20	2		
3	549423	Washer, Flat Washer 1/4 ID. x 5/8 OD.	4		
4	549428	Washer, Nylon Washer .265ID x 5/8 OD x .063th	3		
5	549390	Spacer, Nylon Spacer 5/16 ID. x .6 OD. x .18thk (blk)	1		
6	549434	Washer, Radius Washer 1/4 ID. x 3/4 OD. x 3/4cu	2		
7	549329	Screw, Hex Bolt 1/4-20 x 1-1/4	1		
8	549349	Screw, Pan Head 1/4-20 x 1-1/2	1		
9	549414	Washer, Curved Washer 1/4 ID. x 1/2 OD. x .037thk	1		
10	548409	Block, Cross Link Mount Block	1		
11	548429	Bracket, Cross Link 16	1		
12	548430	Bracket, Cross Link 18	1		
13	548431	Bracket, Cross Link 20	1		
14	548432	Bracket, Cross Link 22	1		
15	548433	Bracket, Cross Link 24	1		
16	548695	Kit, Cross Link 16 Left Complete	1		
17	548697	Kit, Cross Link 18 Left Complete	1		
18	548699	Kit, Cross Link 20 Left Complete	1		
19	548701	Kit, Cross Link 22 Left Complete	1		
20	548703	Kit, Cross Link 24 Left Complete	1		



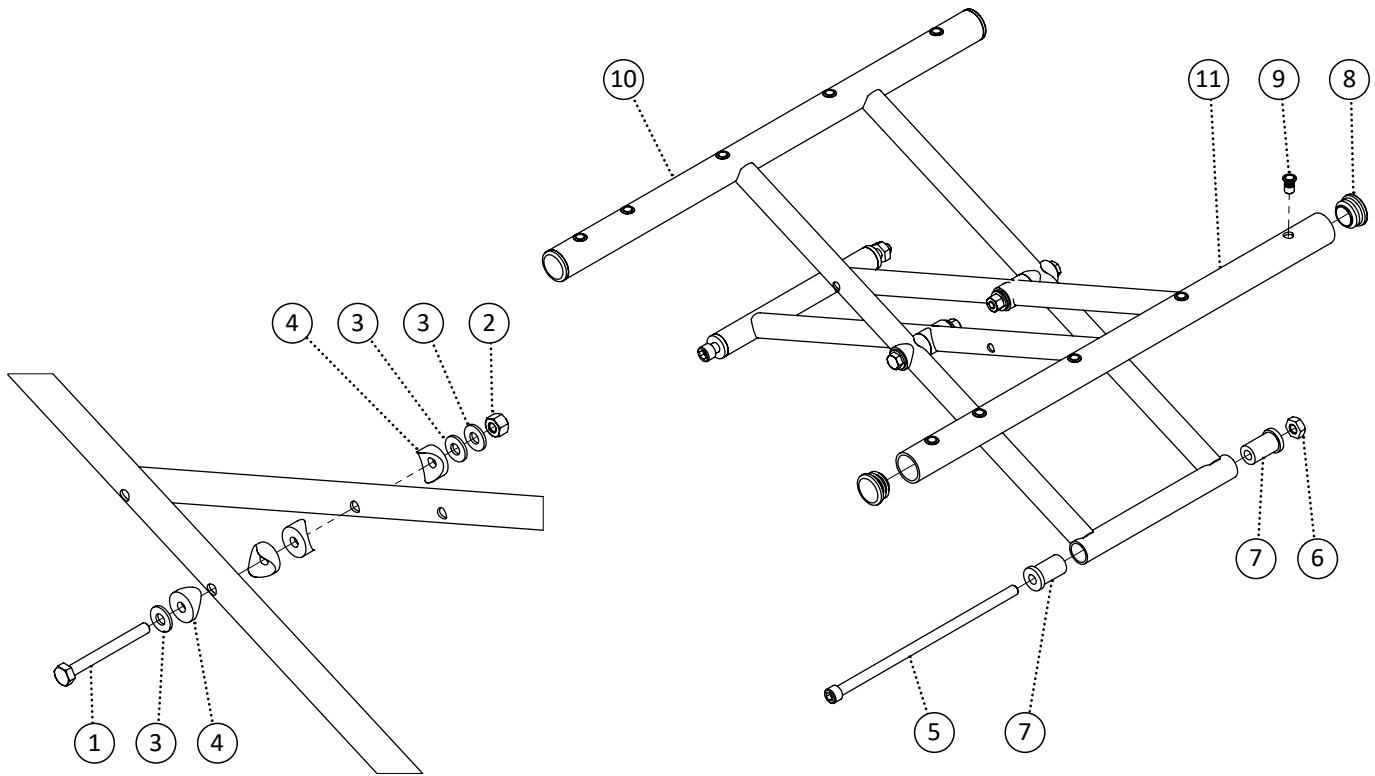
Item	REF Number	Description	Quantity	MSRP	Notes
1	549331	Screw, Hex Bolt 1/4-20 x 2	1		
2	548859	Nut, Nylon Lock Nut 1/4-20	2		
3	549423	Washer, Flat Washer 1/4 ID. x 5/8 OD.	5		
4	549428	Washer, Nylon Washer .265ID x 5/8 OD x .063th	4		
5	549390	Spacer, Nylon Spacer 5/16 ID. x .6 OD. x .18thk (blk)	1		
6	549434	Washer, Radius Washer 1/4 ID. x 3/4 OD. x 3/4cu	2		
7	549329	Screw, Hex Bolt 1/4-20 x 1-1/4	1		
8	549349	Screw, Pan Head 1/4-20 x 1-1/2	1		
9	549414	Washer, Curved Washer 1/4 ID. x 1/2 OD. x .037thk	1		
10	548409	Block, Cross Link Mount Block	1		
11	548429	Bracket, Cross Link 16	1		
12	548430	Bracket, Cross Link 18	1		
13	548431	Bracket, Cross Link 20	1		
14	548432	Bracket, Cross Link 22	1		
15	548433	Bracket, Cross Link 24	1		
16	548696	Kit, Cross Link 16 Right Complete	1		
17	548698	Kit, Cross Link 18 Right Complete	1		
18	548700	Kit, Cross Link 20 Right Complete	1		
19	548702	Kit, Cross Link 22 Right Complete	1		
20	548704	Kit, Cross Link 24 Right Complete	1		

Note: This is for reference only. Contact for part numbers.



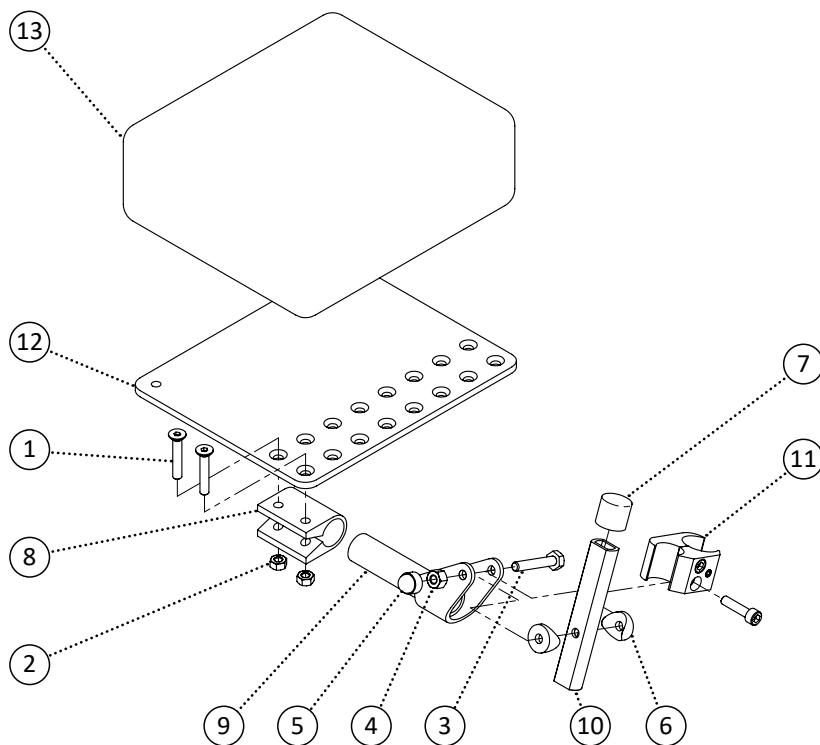
Item	REF Number	Description	Quantity	MSRP	Notes
1	549333	Screw, Hex Bolt 1/4-20 x 2-1/2	2		
2	548859	Nut, Nylon Lock Nut 1/4-20	2		
3	549423	Washer, Flat Washer 1/4 ID. x 5/8 OD.	6		
4	549434	Washer, Radius Washer 1/4 ID. x 3/4 OD. x 3/4cu	8		
5	549375	Screw, Socket Head 5/16-18 x 7-1/2	2		
6	548875	Nut, Nylon Lock Nut Thin 5/16-18	2		
7	548469	Bushing, Nylon Cross Brace 16ga Bushing	4		
8	548495	Cap, Round Plug 1 x 14ga	4		
9	548879	Nut, Rivet Nut 10-32	10		
10	548899	PPM, Aluminum Cross Brace Left 16 x 16	1		
11	548914	PPM, Aluminum Cross Brace Right 16 x 16	1		
12	548902	PPM, Aluminum Cross Brace Left 18 x 16	1		
13	548917	PPM, Aluminum Cross Brace Right 18 x 16	1		
14	548905	PPM, Aluminum Cross Brace Left 20 x 16	1		
15	548920	PPM, Aluminum Cross Brace Right 20 x 16	1		
16	548908	PPM, Aluminum Cross Brace Left 22 x 16	1		
17	548923	PPM, Aluminum Cross Brace Right 22 x 16	1		
18	548911	PPM, Aluminum Cross Brace Left 24 x 16	1		
19	548926	PPM, Aluminum Cross Brace Right 24 x 16	1		

Item	REF Number	Description	Quantity	MSRP	Notes
20	548900	PPM, Aluminum Cross Brace Left 16 x 18	1		
21	548915	PPM, Aluminum Cross Brace Right 16 x 18	1		
22	548903	PPM, Aluminum Cross Brace Left 18 x 18	1		
23	548918	PPM, Aluminum Cross Brace Right 18 x 18	1		
24	548906	PPM, Aluminum Cross Brace Left 20 x 18	1		
25	548921	PPM, Aluminum Cross Brace Right 20 x 18	1		
26	548909	PPM, Aluminum Cross Brace Left 22 x 18	1		
27	548924	PPM, Aluminum Cross Brace Right 22 x 18	1		
28	548912	PPM, Aluminum Cross Brace Left 24 x 18	1		
29	548927	PPM, Aluminum Cross Brace Right 24 x 18	1		
30	548901	PPM, Aluminum Cross Brace Left 16 x 20	1		
31	548916	PPM, Aluminum Cross Brace Right 16 x 20	1		
32	548904	PPM, Aluminum Cross Brace Left 18 x 20	1		
33	548919	PPM, Aluminum Cross Brace Right 18 x 20	1		
34	548907	PPM, Aluminum Cross Brace Left 20 x 20	1		
35	548922	PPM, Aluminum Cross Brace Right 20 x 20	1		
36	548910	PPM, Aluminum Cross Brace Left 22 x 20	1		
37	548925	PPM, Aluminum Cross Brace Right 22 x 20	1		
38	548913	PPM, Aluminum Cross Brace Left 24 x 20	1		
39	548928	PPM, Aluminum Cross Brace Right 24 x 20	1		
1-9,10,11	548583	Kit, Aluminum Cross Brace 16 x 16 Complete	1		
1-9,12,13	548586	Kit, Aluminum Cross Brace 18 x 16 Complete	1		
1-9,14,15	548589	Kit, Aluminum Cross Brace 20 x 16 Complete	1		
1-9,16,17	548592	Kit, Aluminum Cross Brace 22 x 16 Complete	1		
1-9,18,19	548595	Kit, Aluminum Cross Brace 24 x 16 Complete	1		
1-9,20,21	548584	Kit, Aluminum Cross Brace 16 x 18 Complete	1		
1-9,22,23	548587	Kit, Aluminum Cross Brace 18 x 18 Complete	1		
1-9,24,25	548590	Kit, Aluminum Cross Brace 20 x 18 Complete	1		
1-9,26,27	548593	Kit, Aluminum Cross Brace 22 x 18 Complete	1		
1-9,28,29	548596	Kit, Aluminum Cross Brace 24 x 18 Complete	1		
1-9,30,31	548585	Kit, Aluminum Cross Brace 16 x 20 Complete	1		
1-9,32,33	548588	Kit, Aluminum Cross Brace 18 x 20 Complete	1		
1-9,34,35	548591	Kit, Aluminum Cross Brace 20 x 20 Complete	1		
1-9,36,37	548594	Kit, Aluminum Cross Brace 22 x 20 Complete	1		
1-9,38,39	548597	Kit, Aluminum Cross Brace 24 x 20 Complete	1		

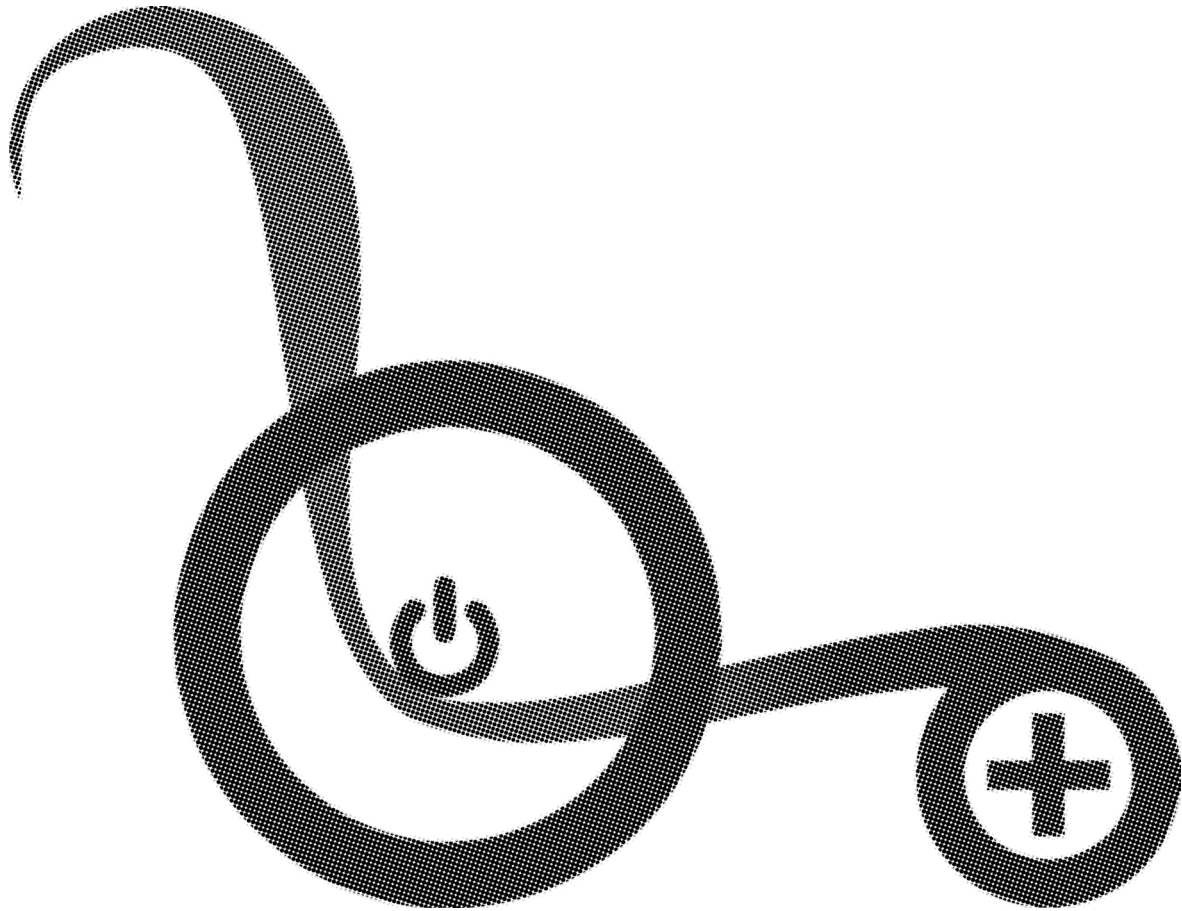


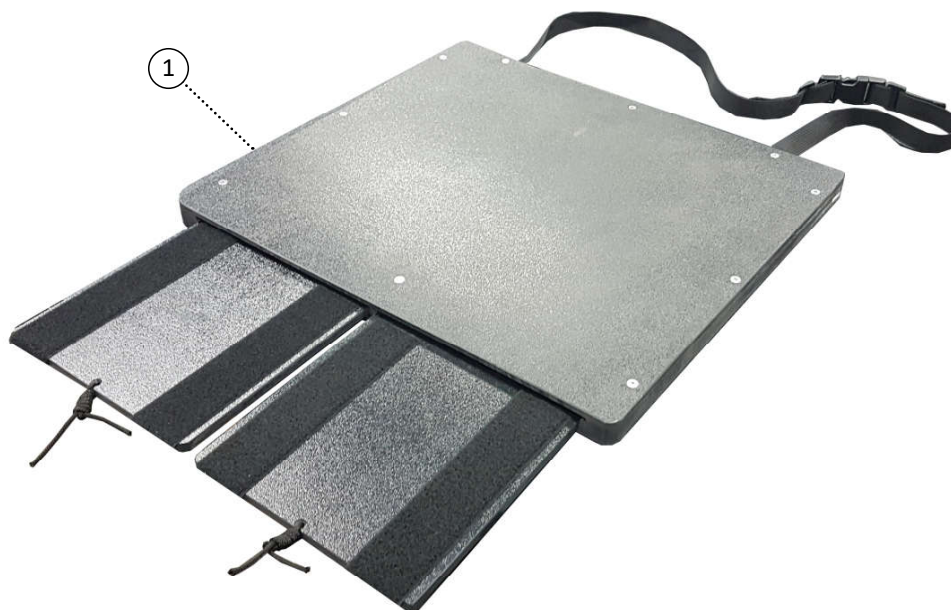
Item	REF Number	Description	Quantity	MSRP	Notes
1	549333	Screw, Hex Bolt 1/4-20 x 2-1/2	2		
2	548859	Nut, Nylon Lock Nut 1/4-20	2		
3	549423	Washer, Flat Washer 1/4 ID. x 5/8 OD.	6		
4	549434	Washer, Radius Washer 1/4 ID. x 3/4 OD. x 3/4cu	8		
5	549375	Screw, Socket Head 5/16-18 x 7-1/2	2		
6	548875	Nut, Nylon Lock Nut Thin 5/16-18	2		
7	548470	Bushing, Nylon Cross Brace 18ga Bushing	4		
8	548496	Cap, Round Plug 1 x 18ga	4		
9	548879	Nut, Rivet Nut 10-32	10		
10	549149	PPM, Steel Cross Brace Left 16 x 16	1		
11	549164	PPM, Steel Cross Brace Right 16 x 16	1		
12	549152	PPM, Steel Cross Brace Left 18 x 16	1		
13	549167	PPM, Steel Cross Brace Right 18 x 16	1		
14	549155	PPM, Steel Cross Brace Left 20 x 16	1		
15	549170	PPM, Steel Cross Brace Right 20 x 16	1		
16	549158	PPM, Steel Cross Brace Left 22 x 16	1		
17	549173	PPM, Steel Cross Brace Right 22 x 16	1		
18	549161	PPM, Steel Cross Brace Left 24 x 16	1		
19	549176	PPM, Steel Cross Brace Right 24 x 16	1		

Item	REF Number	Description	Quantity	MSRP	Notes
20	549150	PPM, Steel Cross Brace Left 16 x 18	1		
21	549165	PPM, Steel Cross Brace Right 16 x 18	1		
22	549153	PPM, Steel Cross Brace Left 18 x 18	1		
23	549168	PPM, Steel Cross Brace Right 18 x 18	1		
24	549156	PPM, Steel Cross Brace Left 20 x 18	1		
25	549171	PPM, Steel Cross Brace Right 20 x 18	1		
26	549159	PPM, Steel Cross Brace Left 22 x 18	1		
27	549174	PPM, Steel Cross Brace Right 22 x 18	1		
28	549162	PPM, Steel Cross Brace Left 24 x 18	1		
29	549177	PPM, Steel Cross Brace Right 24 x 18	1		
30	549151	PPM, Steel Cross Brace Left 16 x 20	1		
31	549166	PPM, Steel Cross Brace Right 16 x 20	1		
32	549154	PPM, Steel Cross Brace Left 18 x 20	1		
33	549169	PPM, Steel Cross Brace Right 18 x 20	1		
34	549157	PPM, Steel Cross Brace Left 20 x 20	1		
35	549172	PPM, Steel Cross Brace Right 20 x 20	1		
36	549160	PPM, Steel Cross Brace Left 22 x 20	1		
37	549175	PPM, Steel Cross Brace Right 22 x 20	1		
38	549163	PPM, Steel Cross Brace Left 24 x 20	1		
39	549178	PPM, Steel Cross Brace Right 24 x 20	1		
1-9,10,11	548805	Kit, Steel Cross Brace 16 x 16 Complete	1		
1-9,12,13	548808	Kit, Steel Cross Brace 18 x 16 Complete	1		
1-9,14,15	548811	Kit, Steel Cross Brace 20 x 16 Complete	1		
1-9,16,17	548814	Kit, Steel Cross Brace 22 x 16 Complete	1		
1-9,18,19	548817	Kit, Steel Cross Brace 24 x 16 Complete	1		
1-9,20,21	548806	Kit, Steel Cross Brace 16 x 18 Complete	1		
1-9,22,23	548809	Kit, Steel Cross Brace 18 x 18 Complete	1		
1-9,24,25	548812	Kit, Steel Cross Brace 20 x 18 Complete	1		
1-9,26,27	548815	Kit, Steel Cross Brace 22 x 18 Complete	1		
1-9,28,29	548818	Kit, Steel Cross Brace 24 x 18 Complete	1		
1-9,30,31	548807	Kit, Steel Cross Brace 16 x 20 Complete	1		
1-9,32,33	548810	Kit, Steel Cross Brace 18 x 20 Complete	1		
1-9,34,35	548813	Kit, Steel Cross Brace 20 x 20 Complete	1		
1-9,36,37	548816	Kit, Steel Cross Brace 22 x 20 Complete	1		
1-9,38,39	548819	Kit, Steel Cross Brace 24 x 20 Complete	1		



Item	REF Number	Description	Quantity	MSRP	Notes
1	549325	Screw, Flat Head M6-1.0 x 30	2		
2	548866	Nut, Nylon Lock Nut M6-1.0	2		
3	549327	Screw, Hex Bolt 1/4-20 x 1-1/2	1		
4	548859	Nut, Nylon Lock Nut 1/4-20	1		
5	548480	Cap, 1/4 Nut Cap	1		
6	549434	Washer, Radius Washer 1/4 ID. x 3/4 OD. x 3/4cu	2		
7	549731	Cap, 3/4 Short Rubber Cap	1		
8	548521	Footplate, Angle Adjust Hinge Clamp	1		
9	548522	Footplate, Angle Adjust Hinge Clamp Extension	1		
10	549732	PPM, Angle Adjust Extension Amputee Board	1		
11	548505	Clamp, Aluminum Brake Clamp	1		
12	548523	Footplate, Angle Adjust Plate	1		
13	549733	Padding, Amputee Board on Footrest Pad	1		
1-13	549734	Kit, Amputee Board on Footrest Left Complete	1		
1-13	549735	Kit, Amputee Board on Footrest Right Complete	1		

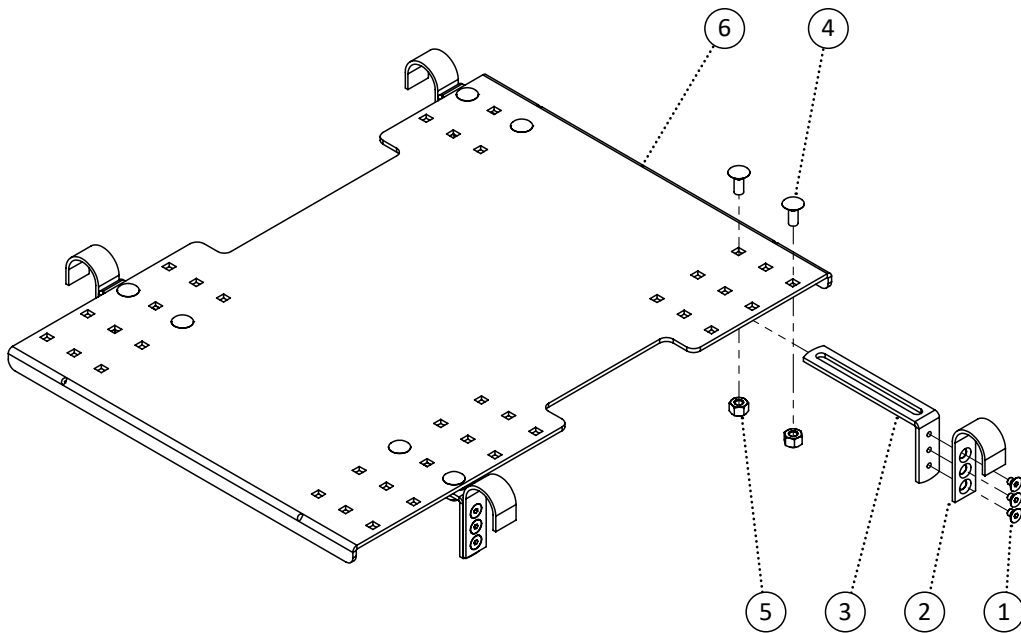




Item	REF Number	Description	Quantity	MSRP	Notes
1	549870	PPM, Amputee Seat Pan 16 x 16	1		
2	549871	PPM, Amputee Seat Pan 16 x 18	1		
3	549872	PPM, Amputee Seat Pan 16 x 20	1		
4	549873	PPM, Amputee Seat Pan 16 x 22	1		
5	549874	PPM, Amputee Seat Pan 16 x 24	1		
6	549875	PPM, Amputee Seat Pan 16 x 26	1		
7	549876	PPM, Amputee Seat Pan 16 x 28	1		
8	549877	PPM, Amputee Seat Pan 16 x 30	1		
9	549878	PPM, Amputee Seat Pan 18 x 16	1		
10	549879	PPM, Amputee Seat Pan 18 x 18	1		
11	549880	PPM, Amputee Seat Pan 18 x 20	1		
12	549881	PPM, Amputee Seat Pan 18 x 22	1		
13	549882	PPM, Amputee Seat Pan 18 x 24	1		
14	549883	PPM, Amputee Seat Pan 18 x 26	1		
15	549884	PPM, Amputee Seat Pan 18 x 28	1		
16	549885	PPM, Amputee Seat Pan 18 x 30	1		
17	549886	PPM, Amputee Seat Pan 20 x 16	1		
18	549887	PPM, Amputee Seat Pan 20 x 18	1		
19	549888	PPM, Amputee Seat Pan 20 x 20	1		
20	549889	PPM, Amputee Seat Pan 20 x 22	1		
21	549890	PPM, Amputee Seat Pan 20 x 24	1		
22	549891	PPM, Amputee Seat Pan 20 x 26	1		

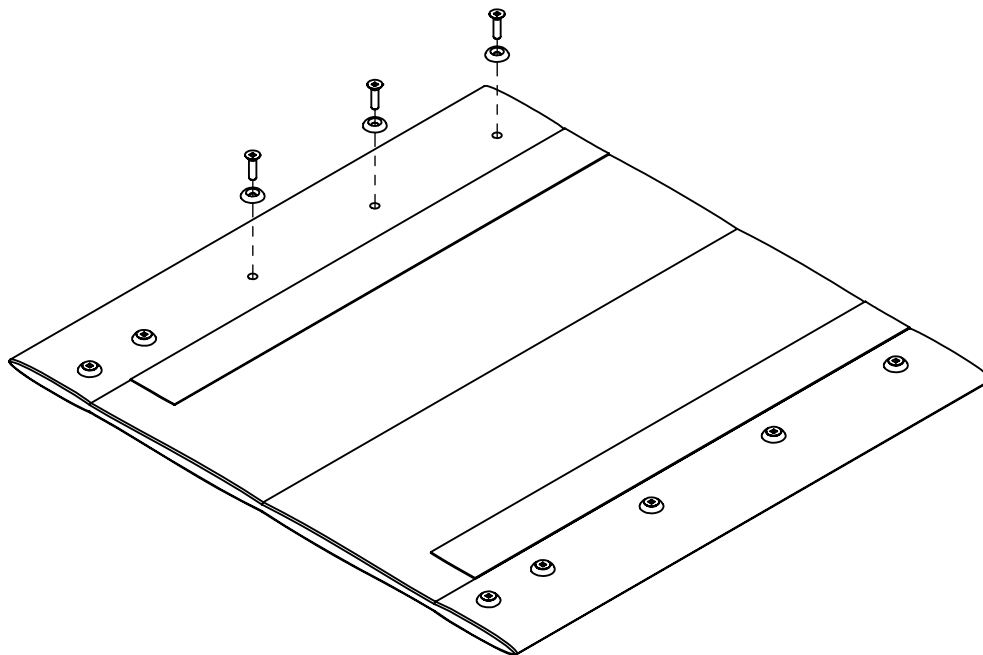
Item	REF Number	Description	Quantity	MSRP	Notes
23	549892	PPM, Amputee Seat Pan 20 x 28	1		
24	549893	PPM, Amputee Seat Pan 20 x 30	1		
25	549894	PPM, Amputee Seat Pan 22 x 16	1		
26	549895	PPM, Amputee Seat Pan 22 x 18	1		
27	549896	PPM, Amputee Seat Pan 22 x 20	1		
28	549897	PPM, Amputee Seat Pan 22 x 22	1		
29	549898	PPM, Amputee Seat Pan 22 x 24	1		
30	549899	PPM, Amputee Seat Pan 22 x 26	1		
31	549900	PPM, Amputee Seat Pan 22 x 28	1		
32	549901	PPM, Amputee Seat Pan 22 x 30	1		
33	549902	PPM, Amputee Seat Pan 24 x 16	1		
34	549903	PPM, Amputee Seat Pan 24 x 18	1		
35	549904	PPM, Amputee Seat Pan 24 x 20	1		
36	549905	PPM, Amputee Seat Pan 24 x 22	1		
37	549906	PPM, Amputee Seat Pan 24 x 24	1		
38	549907	PPM, Amputee Seat Pan 24 x 26	1		
39	549908	PPM, Amputee Seat Pan 24 x 28	1		
40	549909	PPM, Amputee Seat Pan 24 x 30	1		
41	549910	PPM, Amputee Seat Pan 26 x 16	1		
42	549911	PPM, Amputee Seat Pan 26 x 18	1		
43	549912	PPM, Amputee Seat Pan 26 x 20	1		
44	549913	PPM, Amputee Seat Pan 26 x 22	1		
45	549914	PPM, Amputee Seat Pan 26 x 24	1		
46	549915	PPM, Amputee Seat Pan 26 x 26	1		
47	549916	PPM, Amputee Seat Pan 26 x 28	1		
48	549917	PPM, Amputee Seat Pan 26 x 30	1		
49	549918	PPM, Amputee Seat Pan 28 x 16	1		
50	549919	PPM, Amputee Seat Pan 28 x 18	1		
51	549920	PPM, Amputee Seat Pan 28 x 20	1		
52	549921	PPM, Amputee Seat Pan 28 x 22	1		
53	549922	PPM, Amputee Seat Pan 28 x 24	1		
54	549923	PPM, Amputee Seat Pan 28 x 26	1		
55	549924	PPM, Amputee Seat Pan 28 x 28	1		
56	549925	PPM, Amputee Seat Pan 28 x 30	1		
57	549926	PPM, Amputee Seat Pan 30 x 16	1		
58	549927	PPM, Amputee Seat Pan 30 x 18	1		
59	549928	PPM, Amputee Seat Pan 30 x 20	1		
60	549929	PPM, Amputee Seat Pan 30 x 22	1		
61	549930	PPM, Amputee Seat Pan 30 x 24	1		
62	549931	PPM, Amputee Seat Pan 30 x 26	1		
63	549932	PPM, Amputee Seat Pan 30 x 28	1		
64	549933	PPM, Amputee Seat Pan 30 x 30	1		

Note: This is for reference only. Contact for part numbers.



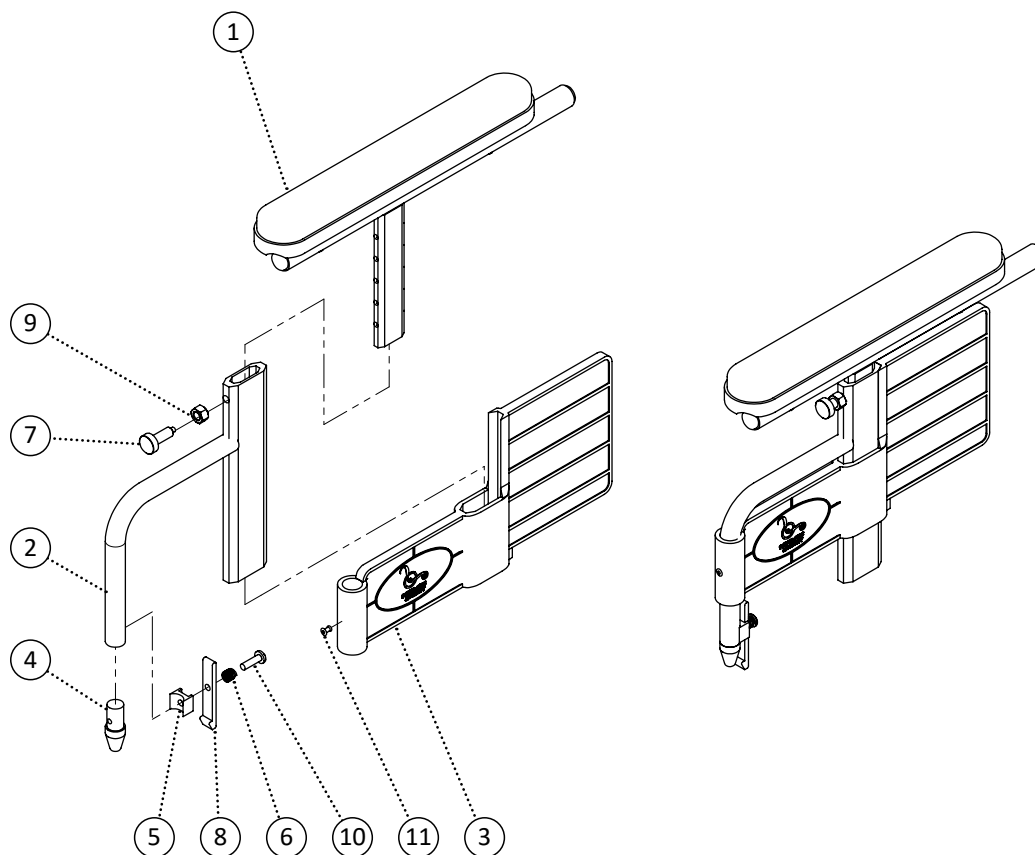
Item	REF Number	Description	Quantity	MSRP	Notes
1	550009	Screw, Flat Head 10-32 x 1/4	12		
2	550010	Bracket, Drop Down Base Adjuster Hook	4		
3	550011	Bracket, Drop Down Base Adjuster Extension	4		
4	550012	Screw, Pan Head 1/4-20 x 5/8	8		
5	548859	Nut, Nylon Lock Nut 1/4-20	8		
6	550013	PPM, Drop Down Base 14 x 14	1		
7	550014	PPM, Drop Down Base 16 x 14	1		
8	550015	PPM, Drop Down Base 18 x 14	1		
9	550016	PPM, Drop Down Base 20 x 14	1		
10	550017	PPM, Drop Down Base 14 x 16	1		
11	550018	PPM, Drop Down Base 16 x 16	1		
12	550019	PPM, Drop Down Base 18 x 16	1		
13	550020	PPM, Drop Down Base 20 x 16	1		
14	550021	PPM, Drop Down Base 14 x 18	1		
15	550022	PPM, Drop Down Base 16 x 18	1		
16	550023	PPM, Drop Down Base 18 x 18	1		
17	550024	PPM, Drop Down Base 20 x 18	1		
18	550025	PPM, Drop Down Base 14 x 20	1		
19	550026	PPM, Drop Down Base 16 x 20	1		

Item	REF Number	Description	Quantity	MSRP	Notes
20	550027	PPM, Drop Down Base 18 x 20	1		
21	550028	PPM, Drop Down Base 20 x 20	1		
1-5,6	550029	Kit, Drop Down Base 14 x 14 Complete	1		
1-5,7	550030	Kit, Drop Down Base 16 x 14 Complete	1		
1-5,8	550031	Kit, Drop Down Base 18 x 14 Complete	1		
1-5,9	550032	Kit, Drop Down Base 20 x 14 Complete	1		
1-5,10	550033	Kit, Drop Down Base 14 x 16 Complete	1		
1-5,11	550034	Kit, Drop Down Base 16 x 16 Complete	1		
1-5,12	550035	Kit, Drop Down Base 18 x 16 Complete	1		
1-5,13	550036	Kit, Drop Down Base 20 x 16 Complete	1		
1-5,14	550037	Kit, Drop Down Base 14 x 18 Complete	1		
1-5,15	550038	Kit, Drop Down Base 16 x 18 Complete	1		
1-5,16	550039	Kit, Drop Down Base 18 x 18 Complete	1		
1-5,17	550040	Kit, Drop Down Base 20 x 18 Complete	1		
1-5,18	550041	Kit, Drop Down Base 14 x 20 Complete	1		
1-5,19	550042	Kit, Drop Down Base 16 x 20 Complete	1		
1-5,20	550043	Kit, Drop Down Base 18 x 20 Complete	1		
1-5,21	550044	Kit, Drop Down Base 20 x 20 Complete	1		

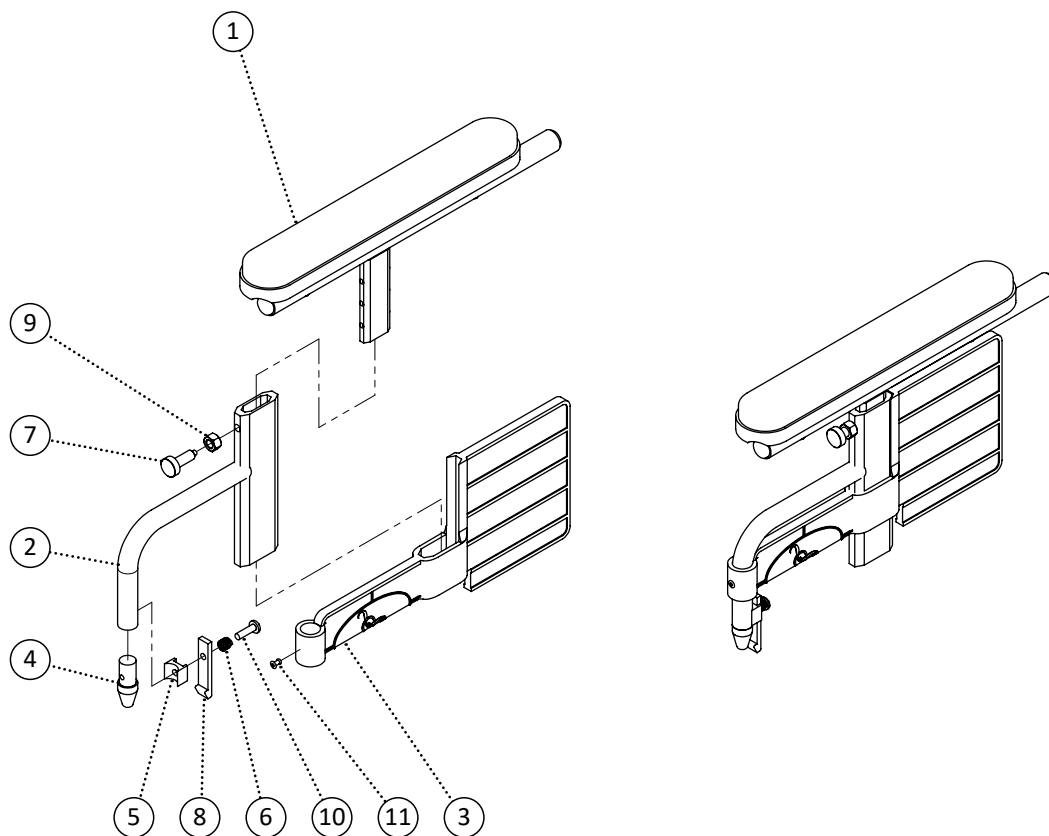


Item	REF Number	Description	Quantity	MSRP	Notes
1	549324	Screw, Flat Head 10-32 x 3/4	10		
2	549623	Washer, Cup Washer 10	10		
3	550045	PPM, Seat Sling 14 x 14	1		
4	550046	PPM, Seat Sling 16 x 14	1		
5	550047	PPM, Seat Sling 18 x 14	1		
6	550048	PPM, Seat Sling 20 x 14	1		
7	550049	PPM, Seat Sling 14 x 16	1		
8	550050	PPM, Seat Sling 16 x 16	1		
9	550051	PPM, Seat Sling 18 x 16	1		
10	550052	PPM, Seat Sling 20 x 16	1		
11	550053	PPM, Seat Sling 14 x 18	1		
12	550054	PPM, Seat Sling 16 x 18	1		
13	550055	PPM, Seat Sling 18 x 18	1		
14	550056	PPM, Seat Sling 20 x 18	1		
15	550057	PPM, Seat Sling 14 x 20	1		
16	550058	PPM, Seat Sling 16 x 20	1		
17	550059	PPM, Seat Sling 18 x 20	1		
18	550060	PPM, Seat Sling 20 x 20	1		
1-2,3	550061	Kit, Seat Sling 14 x 14 Complete	1		

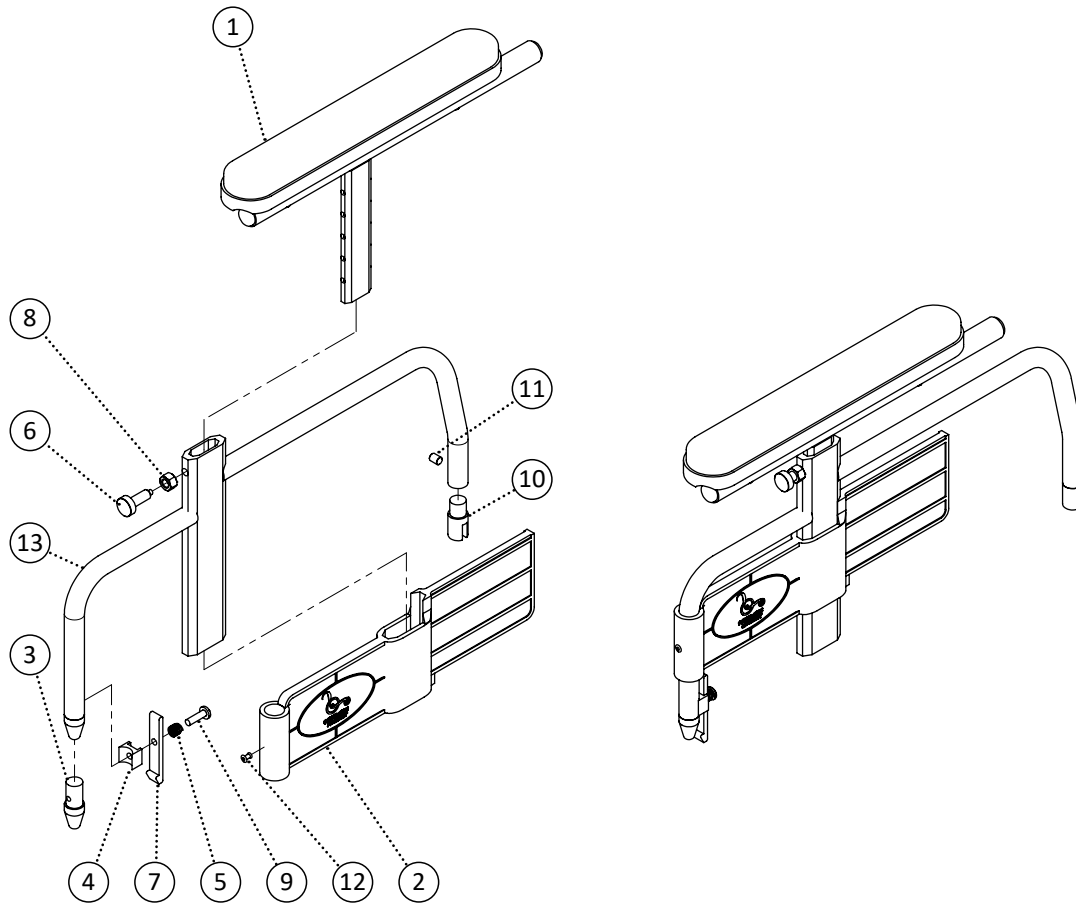
Item	REF Number	Description	Quantity	MSRP	Notes
1-2,4	550062	Kit, Seat Sling 16 x 14 Complete	1		
1-2,5	550063	Kit, Seat Sling 18 x 14 Complete	1		
1-2,6	550064	Kit, Seat Sling 20 x 14 Complete	1		
1-2,7	550065	Kit, Seat Sling 14 x 16 Complete	1		
1-2,8	550066	Kit, Seat Sling 16 x 16 Complete	1		
1-2,9	550067	Kit, Seat Sling 18 x 16 Complete	1		
1-2,10	550068	Kit, Seat Sling 20 x 16 Complete	1		
1-2,11	550069	Kit, Seat Sling 14 x 18 Complete	1		
1-2,12	550070	Kit, Seat Sling 16 x 18 Complete	1		
1-2,13	550071	Kit, Seat Sling 18 x 18 Complete	1		
1-2,14	550072	Kit, Seat Sling 20 x 18 Complete	1		
1-2,15	550073	Kit, Seat Sling 14 x 20 Complete	1		
1-2,16	550074	Kit, Seat Sling 16 x 20 Complete	1		
1-2,17	550075	Kit, Seat Sling 18 x 20 Complete	1		
1-2,18	550076	Kit, Seat Sling 20 x 20 Complete	1		



Item	REF Number	Description	Quantity	MSRP	Notes
1		Arm Tops - See Arm Tops page			
2	548930	PPM, Arm Base Female	1		
3	549293	PPM, Wheelchair Side Panel	1		
4	548483	Cap, Arm Lead In Locator	1		
5	549386	Spacer, Arm Release Lever Mount Block	1		
6	549396	Spring, Lever Compression Spring	1		
7	549356	Screw, Retractable Locking Knob	1		
8	548417	Bracket, Arm Release Lever Aluminum	1		
9	548855	Nut, Jam Nut 3/8-16	1		
10	549355	Screw, Pan Head Thread Screw Quadrex 1/4-14 x 1	1		
11	549311	Nut, Rivet Nut 5/32	1		
2-11	548610	Kit, Arm Rest Complete Kit Right	1		
2-11	548609	Kit, Arm Rest Complete Kit Left	1		

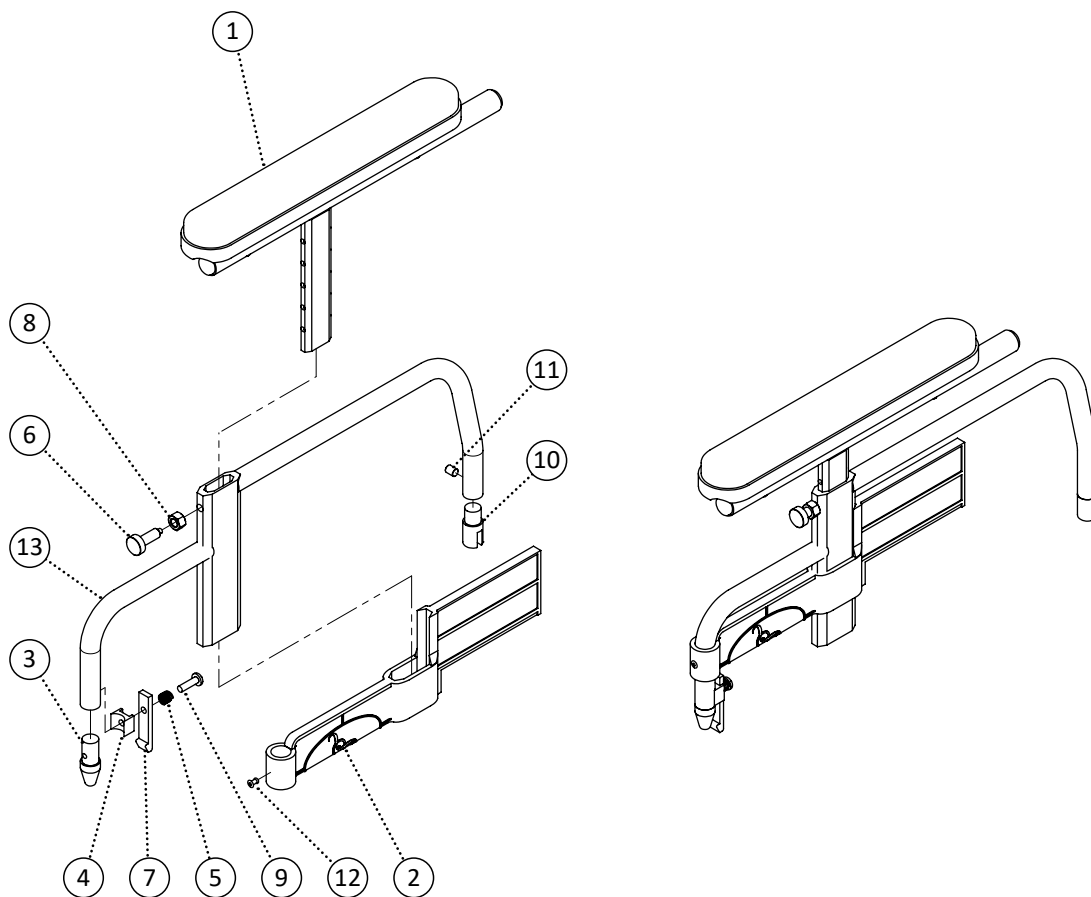


Item	REF Number	Description	Quantity	MSRP	Notes
1		Arm Tops - See Arm Tops page			
2	548933	PPM, Arm Base Female (Short)	1		
3	549296	PPM, Wheelchair Side Panel (Short)	1		
4	548483	Cap, Arm Lead In Locator	1		
5	549386	Spacer, Arm Release Lever Mount Block	1		
6	549396	Spring, Lever Compression Spring	1		
7	549356	Screw, Retractable Locking Knob	1		
8	548417	Bracket, Arm Release Lever Aluminum	1		
9	548855	Nut, Jam Nut 3/8-16	1		
10	549355	Screw, Pan Head Thread Screw Quadrex 1/4-14 x 1	1		
11	549311	Nut, Rivet Nut 5/32	1		
2-11	548608	Kit, Arm Rest (Short) Complete Kit Right	1		
2-11	548607	Kit, Arm Rest (Short) Complete Kit Left	1		



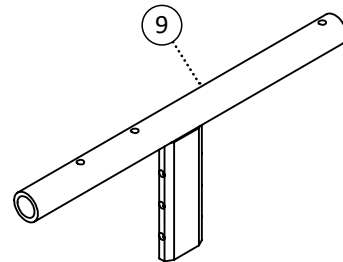
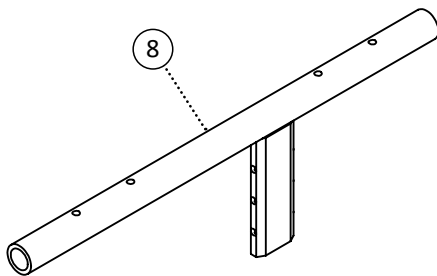
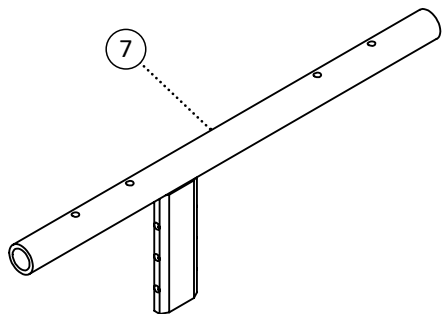
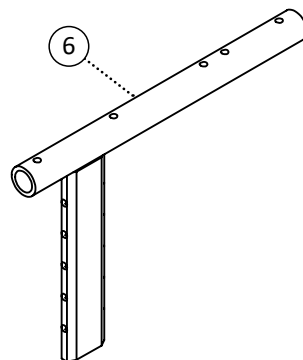
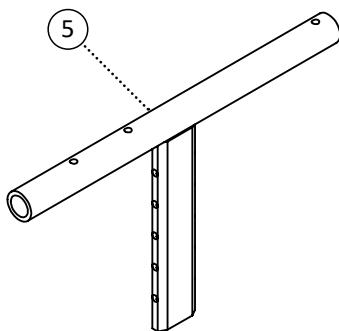
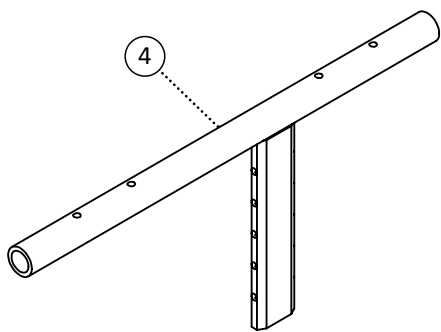
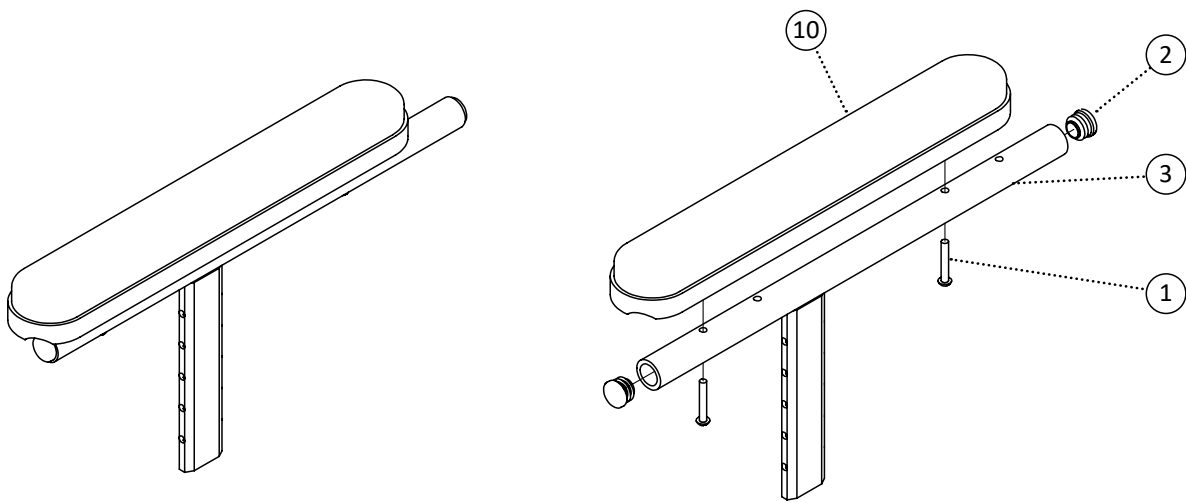
Item	REF Number	Description	Quantity	MSRP	Notes
1		Arm Tops	1		
2	549295	PPM, Wheelchair Side Panel (Flip Back)	1		
3	548483	Cap, Arm Lead In Locator	1		
4	549386	Spacer, Arm Release Lever Mount Block	1		
5	549396	Spring, Lever Compression Spring	1		
6	549356	Screw, Retractable Locking Knob	1		
7	548417	Bracket, Arm Release Lever Aluminum	1		
8	548855	Nut, Jam Nut 3/8-16	1		
9	549355	Screw, Pan Head Thread Screw Quadrex 1/4-14 x 1	1		
10	548458	Bushing, Aluminum Bushing Hinge 3/4	1		
11	549379	Screw, Socket Set Screw 1/4-20 x 3/8	1		
12	549311	Nut, Rivet Nut 5/32	1		
13	549650	PPM, Arm Base Female 16 Left (Flip Back)	1		
14	549651	PPM, Arm Base Female 16 Right (Flip Back)	1		
15	549652	PPM, Arm Base Female 18 Left (Flip Back)	1		
16	549653	PPM, Arm Base Female 18 Right (Flip Back)	1		
17	549654	PPM, Arm Base Female 20 Left (Flip Back)	1		
18	549655	PPM, Arm Base Female 20 Right (Flip Back)	1		
19	549656	PPM, Arm Base Female 22 Left (Flip Back)	1		

Item	REF Number	Description	Quantity	MSRP	Notes
20	549657	PPM, Arm Base Female 22 Right (Flip Back)	1		
1-12,13	549658	Kit, Arm Rest 16 Left (Flip Back) Complete	1		
1-12,14	549659	Kit, Arm Rest 16 Right (Flip Back) Complete	1		
1-12,15	549660	Kit, Arm Rest 18 Left (Flip Back) Complete	1		
1-12,16	549661	Kit, Arm Rest 18 Right (Flip Back) Complete	1		
1-12,17	549662	Kit, Arm Rest 20 Left (Flip Back) Complete	1		
1-12,18	549663	Kit, Arm Rest 20 Right (Flip Back) Complete	1		
1-12,19	549664	Kit, Arm Rest 22 Left (Flip Back) Complete	1		
1-12,20	549665	Kit, Arm Rest 22 Right (Flip Back) Complete	1		

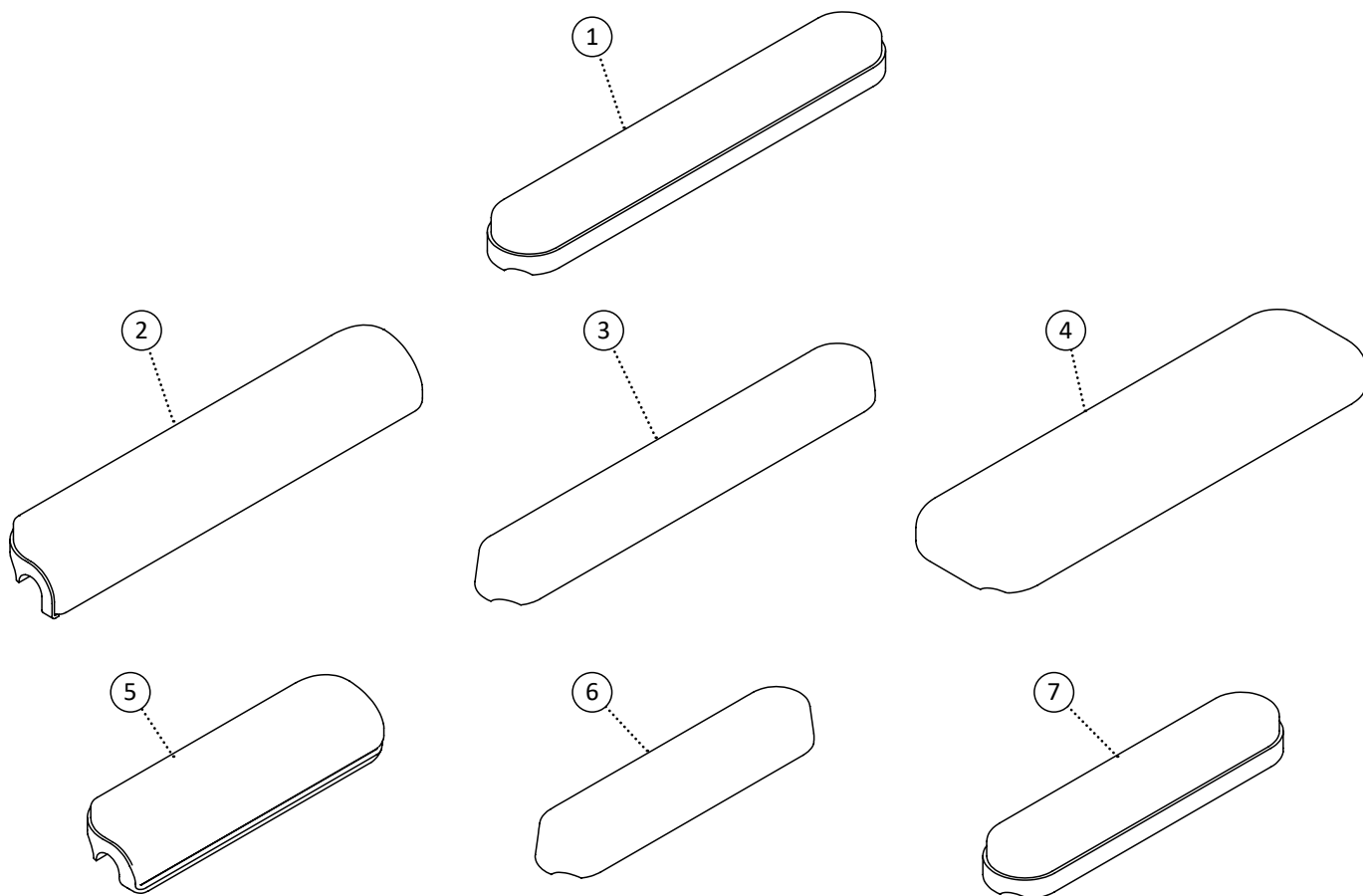


Item	REF Number	Description	Quantity	MSRP	Notes
1		Arm Tops	1		
2	549294	PPM, Wheelchair Side Panel (Flip Back Short)	1		
3	548483	Cap, Arm Lead In Locator	1		
4	549386	Spacer, Arm Release Lever Mount Block	1		
5	549396	Spring, Lever Compression Spring	1		
6	549356	Screw, Retractable Locking Knob	1		
7	548417	Bracket, Arm Release Lever Aluminum	1		
8	548855	Nut, Jam Nut 3/8-16	1		
9	549355	Screw, Pan Head Thread Screw Quadrex 1/4-14 x 1	1		
10	548458	Bushing, Aluminum Bushing Hinge 3/4	1		
11	549379	Screw, Socket Set Screw 1/4-20 x 3/8	1		
12	549311	Nut, Rivet Nut 5/32	1		
13	549666	PPM, Arm Base Female 16 Left (Flip Back Short)	1		
14	549667	PPM, Arm Base Female 16 Right (Flip Back Short)	1		
15	549668	PPM, Arm Base Female 18 Left (Flip Back Short)	1		
16	549669	PPM, Arm Base Female 18 Right (Flip Back Short)	1		
17	549670	PPM, Arm Base Female 20 Left (Flip Back Short)	1		
18	549671	PPM, Arm Base Female 20 Right (Flip Back Short)	1		
19	549672	PPM, Arm Base Female 22 Left (Flip Back Short)	1		

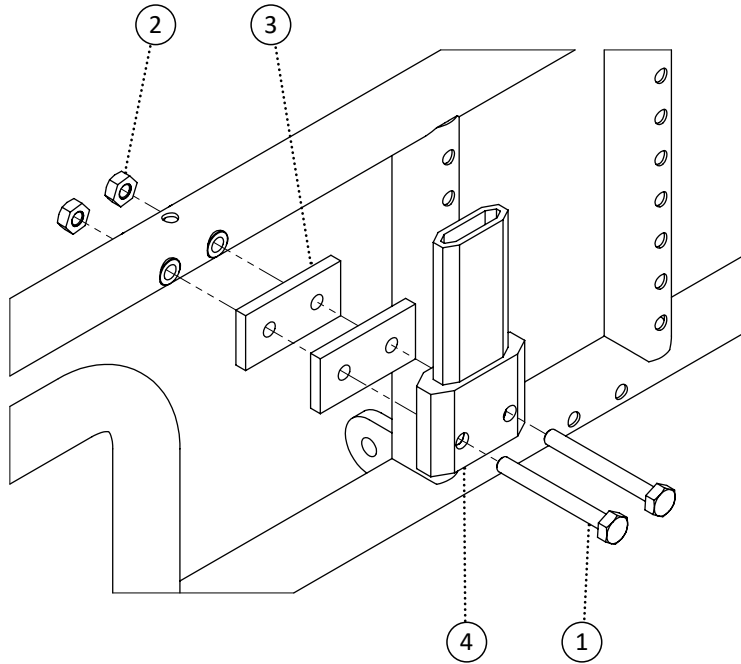
Item	REF Number	Description	Quantity	MSRP	Notes
20	549673	PPM, Arm Base Female 22 Right (Flip Back Short)	1		
1-12,13	549674	Kit, Arm Rest 16 Left (Flip Back Short) Complete	1		
1-12,14	549675	Kit, Arm Rest 16 Right (Flip Back Short) Complete	1		
1-12,15	549676	Kit, Arm Rest 18 Left (Flip Back Short) Complete	1		
1-12,16	549677	Kit, Arm Rest 18 Right (Flip Back Short) Complete	1		
1-12,17	549678	Kit, Arm Rest 20 Left (Flip Back Short) Complete	1		
1-12,18	549679	Kit, Arm Rest 20 Right (Flip Back Short) Complete	1		
1-12,19	549680	Kit, Arm Rest 22 Left (Flip Back Short) Complete	1		
1-12,20	549681	Kit, Arm Rest 22 Right (Flip Back Short) Complete	1		



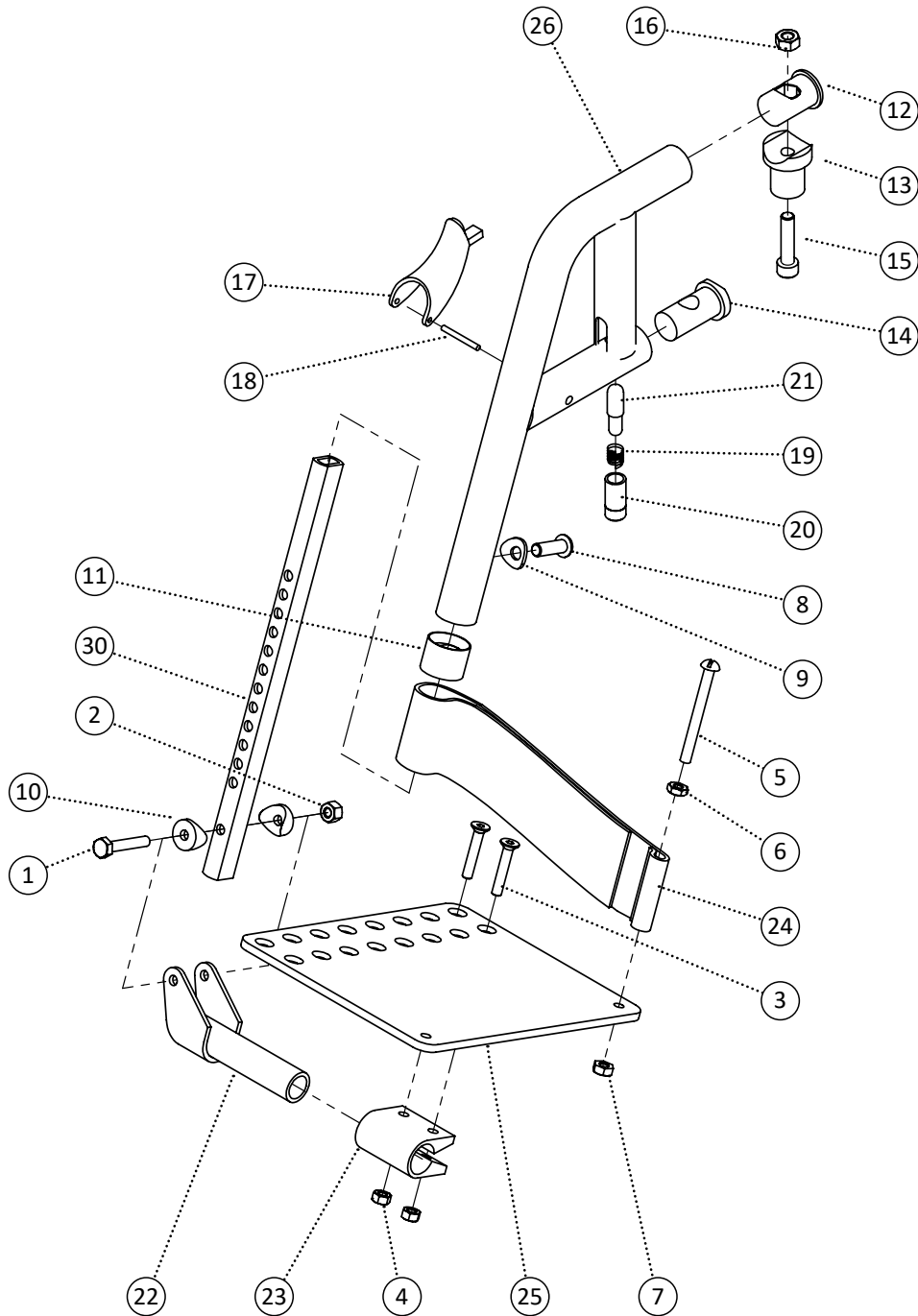
Item	REF Number	Description	Quantity	MSRP	Notes
1	549360	Screw, Round Head 10-24 x 1-1/4	1		
2	548497	Cap, Round Plug 3/4	1		
3	548939	PPM, Arm Top Regular Long	1		
4	548937	PPM, Arm Top Forward Long	1		
5	548941	PPM, Arm Top Short Long	1		
6	548936	PPM, Arm Top Desk Long	1		
7	548940	PPM, Arm Top Regular Short	1		
8	548938	PPM, Arm Top Forward Short	1		
9	548942	PPM, Arm Top Short Short	1		
		Arm Pads	1		
1,2,3	549636	Kit, Arm Top Regular Long Left	1		
1,2,3	549637	Kit, Arm Top Regular Long Right	1		
1,2,4	549638	Kit, Arm Top Forward Long Left	1		
1,2,4	549639	Kit, Arm Top Forward Long Right	1		
1,2,5	549640	Kit, Arm Top Short Long Left	1		
1,2,5	549641	Kit, Arm Top Short Long Right	1		
1,2,6	549642	Kit, Arm Top Desk Long Left	1		
1,2,6	549643	Kit, Arm Top Desk Long Right	1		
1,2,7	549644	Kit, Arm Top Regular Short Left	1		
1,2,7	549645	Kit, Arm Top Regular Short Right	1		
1,2,8	549646	Kit, Arm Top Forward Short Left	1		
1,2,8	549647	Kit, Arm Top Forward Short Right	1		
1,2,9	549648	Kit, Arm Top Short Short Left	1		
1,2,9	549649	Kit, Arm Top Short Short Right	1		



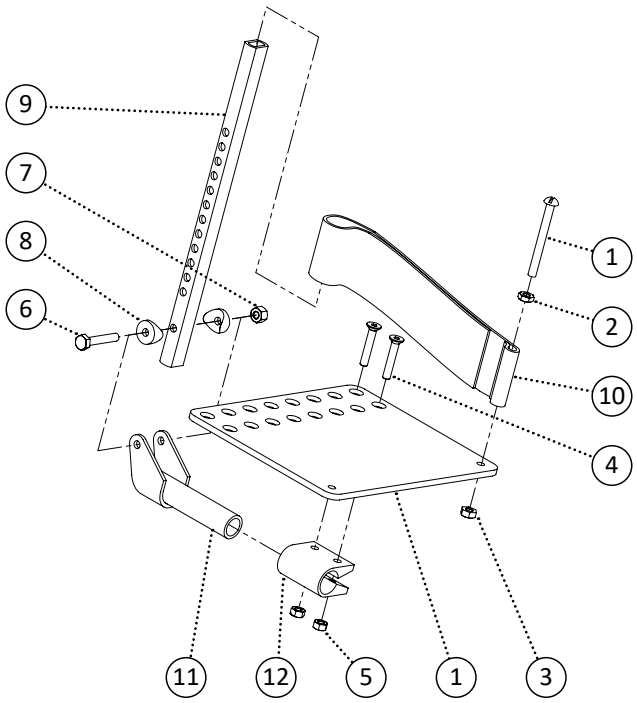
Item	REF Number	Description	Quantity	MSRP	Notes
1	548387	Arm Pad, Padded Full Length	1		
2	548385	Arm Pad, Gel Full Length	1		
3	548389	Arm Pad, Polyurethane Full Length	1		
4	548390	Arm Pad, Wide Full Length	1		
5	548386	Arm Pad, Padded Desk Length	1		
6	548384	Arm Pad, Gel Desk Length	1		
7	548388	Arm Pad, Polyurethane Desk Length	1		
8	548391	Arm Pad, Wide Full Length Gel - 3 Wide	1		
9	548392	Arm Pad, Wide Full Length Gel - 4 Wide	1		



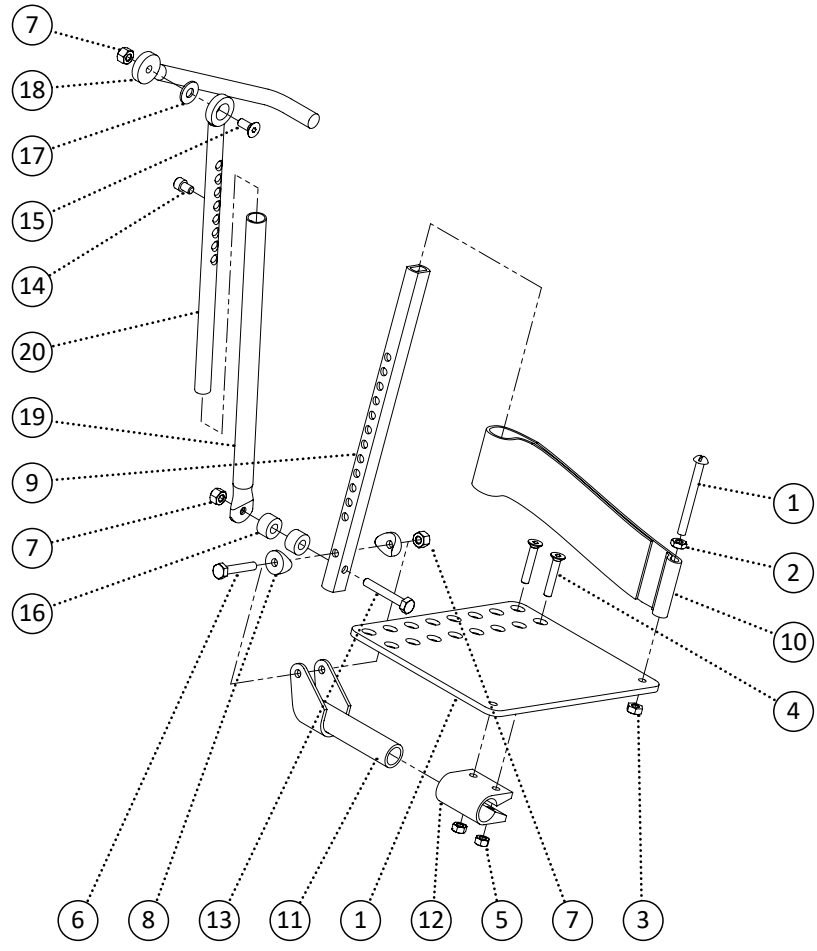
Item	REF Number	Description	Quantity	MSRP	Notes
1	549335	Screw, Hex Bolt 1/4-20 x 2-1/4	2		
2	548870	Nut, Nylon Lock Nut Thin 1/4-20	2		
3	548416	Bracket, Arm Block Spacer	2		
4	548405	Block, Arm Block Extrusion Folding	1		
1-4	548602	Kit, Arm Block Folding Complete	1		



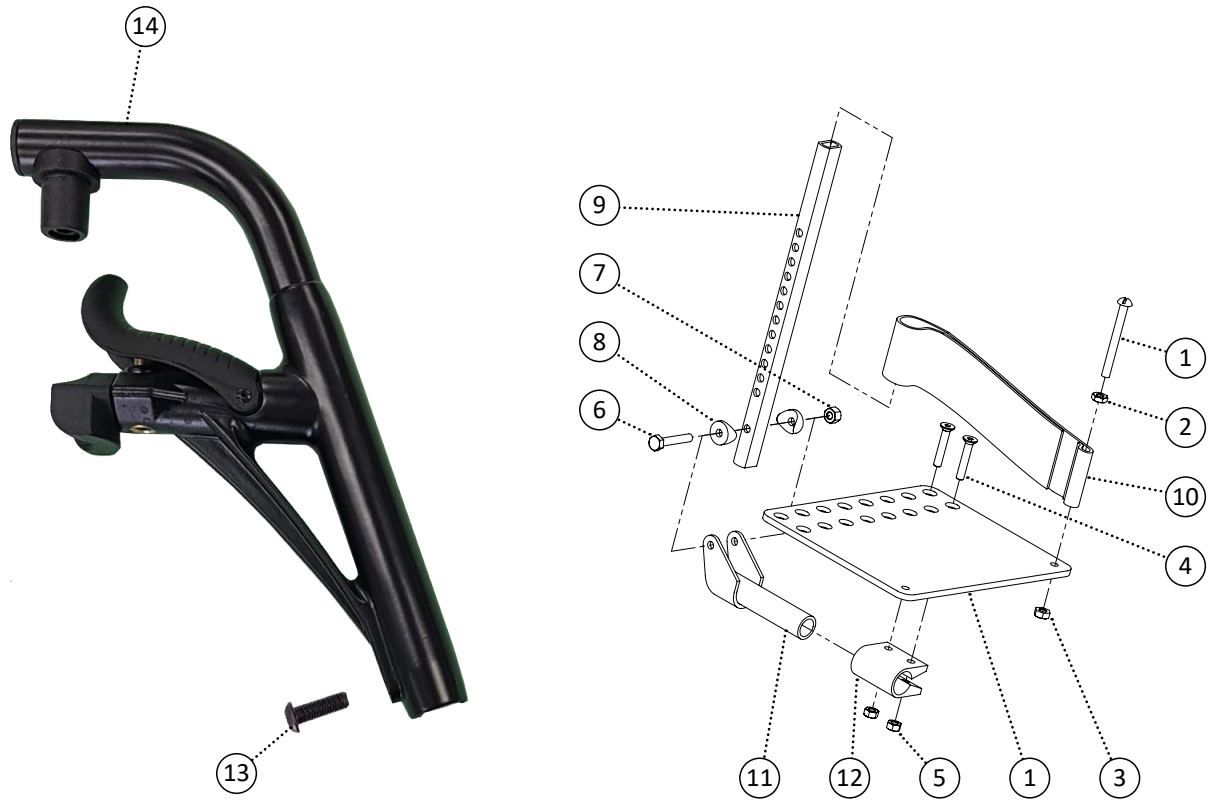
Item	REF Number	Description	Quantity	MSRP	Notes
1	549327	Screw, Hex Bolt 1/4-20 x 1-1/2	1		
2	548859	Nut, Nylon Lock Nut 1/4-20	1		
3	549325	Screw, Flat Head M6-1.0 x 30	2		
4	548866	Nut, Nylon Lock Nut M6-1.0	2		
5	549357	Screw, Round Head 1/4-20 x 2-1/2	1		
6	548852	Nut, Jam Nut 1/4-20	1		
7	548870	Nut, Nylon Lock Nut Thin 1/4-20	1		
8	549354	Screw, Pan Head M8-1.0 x 25	1		
9	549413	Washer, Curved Washer .323 ID. x 3/4 OD. x .07thk	1		
10	549434	Washer, Radius Washer 1/4 ID. x 3/4 OD. x 3/4cu	2		
11	548491	Cap, Footrest End Cap 1	1		
12	548488	Cap, Bushing Attaching Insert	1		
13	548471	Bushing, Radius Insert Bushing	1		
14	548494	Cap, Radius Bushing Attaching Insert	1		
15	549378	Screw, Socket Head M8-1.0 x 35	1		
16	548868	Nut, Nylon Lock Nut M8-1.0	1		
17	548545	Handle, Release Handle	1		
18	548884	Pin, Fixing Pin	1		
19	549399	Spring, Release Spring	1		
20	548459	Bushing, Brass Bushing	1		
21	548890	Pin, Release Pin	1		
22	548522	Footplate, Angle Adjust Hinge Clamp Extension	1		
23	548521	Footplate, Angle Adjust Hinge Clamp	1		
24	549400	Strap, Heel Loop Strap	1		
25	548523	Footplate, Angle Adjust Plate	1		
26	549135	PPM, Pivot Footrest 60 Degree	1		
27	549136	PPM, Pivot Footrest 70 Degree	1		
28	549137	PPM, Pivot Footrest 80 Degree	1		
29	549138	PPM, Pivot Footrest 90 Degree	1		
30	548519	Footplate, Angle Adjust Extension	1		
1-25,26	549297	Kit, Pivot Footrest 60 Degree Left Complete Kit	1		
1-25,26	549298	Kit, Pivot Footrest 60 Degree Right Complete Kit	1		
1-25,27	549299	Kit, Pivot Footrest 70 Degree Left Complete Kit	1		
1-25,27	549300	Kit, Pivot Footrest 70 Degree Right Complete Kit	1		



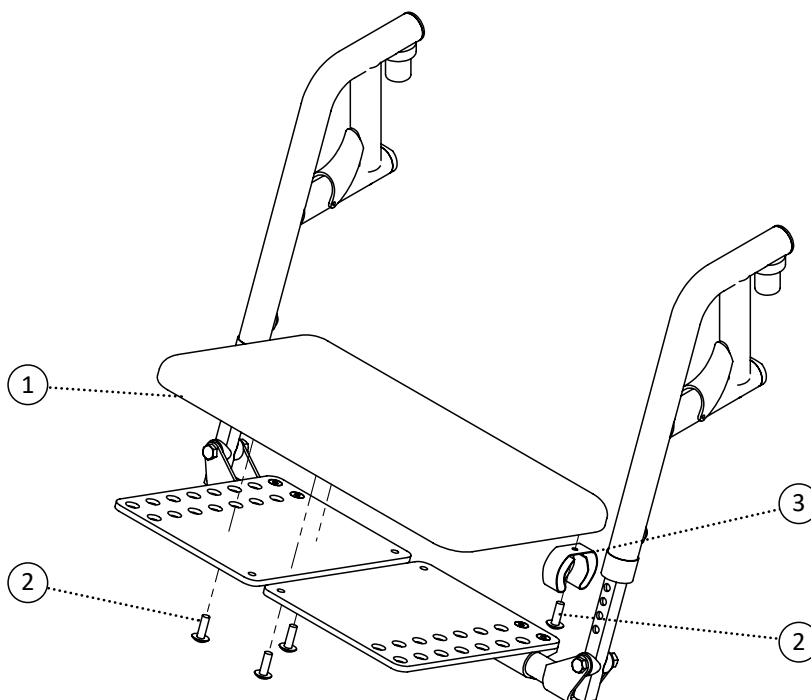
Item	REF Number	Description	Quantity	MSRP	Notes
1	549357	Screw, Round Head 1/4-20 x 2-1/2	1		
2	548852	Nut, Jam Nut 1/4-20	1		
3	548870	Nut, Nylon Lock Nut Thin 1/4-20	1		
4	549325	Screw, Flat Head M6-1.0 x 30	2		
5	548866	Nut, Nylon Lock Nut M6-1.0	2		
6	549327	Screw, Hex Bolt 1/4-20 x 1-1/2	1		
7	548859	Nut, Nylon Lock Nut 1/4-20	1		
8	549436	Washer, Radius Washer 1/4 ID. x 3/4 OD. x 3/8cu (3/4cu)	2		
9	548519	Footplate, Angle Adjust Extension	1		
10	549400	Strap, Heel Loop Strap	1		
11	548522	Footplate, Angle Adjust Hinge Clamp Extension	1		
12	548521	Footplate, Angle Adjust Hinge Clamp	1		
13	548708	Kit, Elevating Footrest Hanger Upper	1		
14	548706	Kit, Elevating Footrest Extension Tube	1		
15	548705	Kit, Elevating Footrest Calf Pad	1		
1-15	548711	Kit, Elevating Pivot Footrest Left Complete Kit	1		
1-15	548712	Kit, Elevating Pivot Footrest Right Complete Kit	1		



Item	REF Number	Description	Quantity	MSRP	Notes
1	549357	Screw, Round Head 1/4-20 x 2-1/2	1		
2	548852	Nut, Jam Nut 1/4-20	1		
3	548870	Nut, Nylon Lock Nut Thin 1/4-20	1		
4	549325	Screw, Flat Head M6-1.0 x 30	2		
5	548866	Nut, Nylon Lock Nut M6-1.0	2		
6	549327	Screw, Hex Bolt 1/4-20 x 1-1/2	1		
7	548859	Nut, Nylon Lock Nut 1/4-20	1		
8	549436	Washer, Radius Washer 1/4 ID. x 3/4 OD. x 3/8cu (3/4cu)	2		
9	548520	Footplate, Angle Adjust Extension Articulating	1		
10	549400	Strap, Heel Loop Strap	1		
11	548522	Footplate, Angle Adjust Hinge Clamp Extension	1		
12	548521	Footplate, Angle Adjust Hinge Clamp	1		
13	549330	Screw, Hex Bolt 1/4-20 x 1-3/4	1		
14	549372	Screw, Socket Head 1/4-20 x 3/8	1		
15	549323	Screw, Flat Head 1/4-20 x 5/8	1		
16	549392	Spacer, Nylon Spacer 5/16 ID. x .7 OD x .4thk (blk)	1		
17	549430	Washer, Nylon Washer 5/16 ID. x 3/4 OD. x .063thk	1		
18	549134	PPM, Pivot Articulating Arm	1		
19	548945	PPM, Articulating Receiver	1		
20	548944	PPM, Articulating Extension	1		
21	548533	Guard, Articulating Arm Guard	1		
22	548624	Kit, Articulating Pivot Footrest Left Hanger	1		
23	548626	Kit, Articulating Pivot Footrest Right Hanger	1		
1-22	548623	Kit, Articulating Pivot Footrest Left Complete Kit	1		
1-21,23	548625	Kit, Articulating Pivot Footrest Right Complete Kit	1		



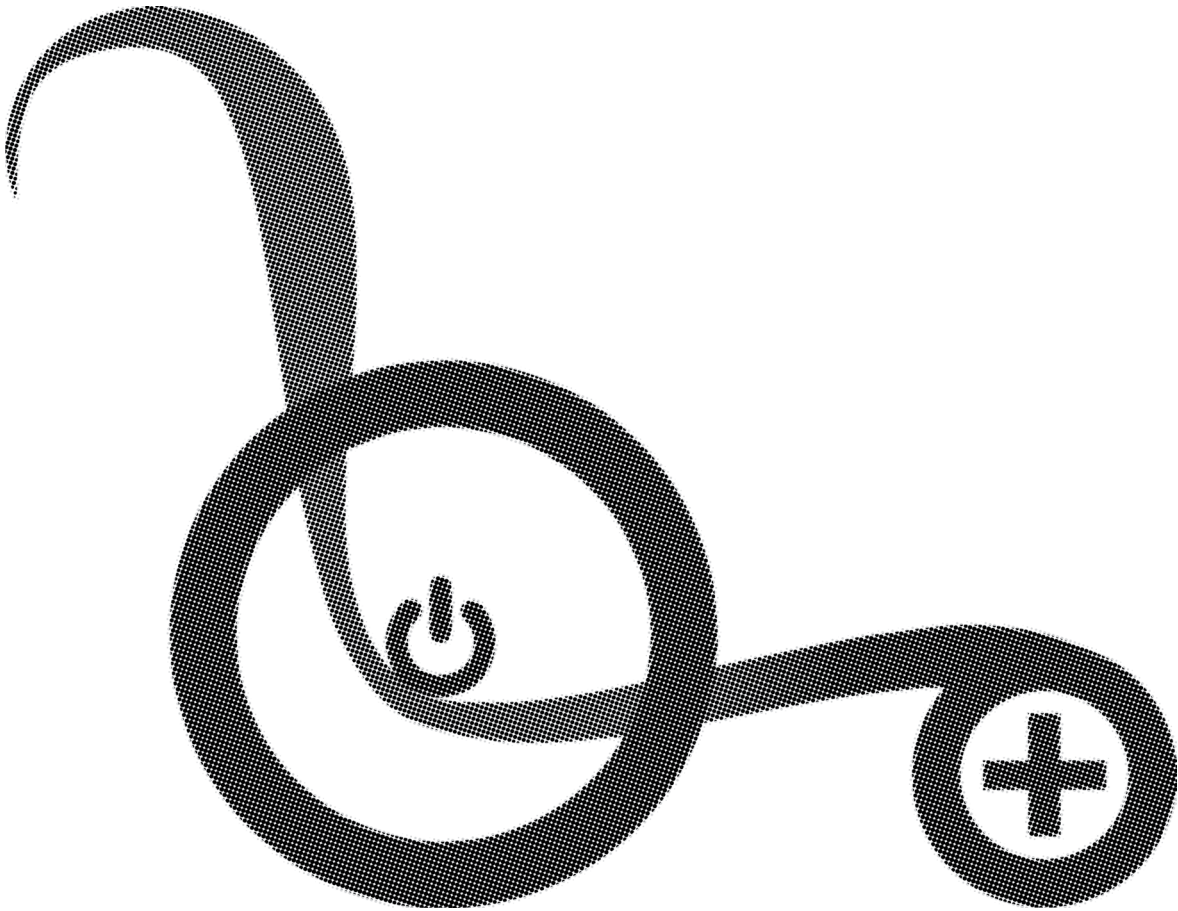
Item	REF Number	Description	Quantity	MSRP	Notes
1	549357	Screw, Round Head 1/4-20 x 2-1/2	1		
2	548852	Nut, Jam Nut 1/4-20	1		
3	548870	Nut, Nylon Lock Nut Thin 1/4-20	1		
4	549325	Screw, Flat Head M6-1.0 x 30	2		
5	548866	Nut, Nylon Lock Nut M6-1.0	2		
6	549327	Screw, Hex Bolt 1/4-20 x 1-1/2	1		
7	548859	Nut, Nylon Lock Nut 1/4-20	1		
8	549436	Washer, Radius Washer 1/4 ID. x 3/4 OD. x 3/8cu (3/4cu)	2		
9	548519	Footplate, Angle Adjust Extension	1		
10	549400	Strap, Heel Loop Strap	1		
11	548522	Footplate, Angle Adjust Hinge Clamp Extension	1		
12	548521	Footplate, Angle Adjust Hinge Clamp	1		
13	548526	Footrest, Pivot Footrest 70 Degree	1		
14	549354	Screw, Pan Head M8-1.0 x 25	1		
1-14	548774	Kit, Pivot Footrest 70 Degree Left (T) Complete Kit	1		
1-14	548775	Kit, Pivot Footrest 70 Degree Right (T) Complete Kit	1		

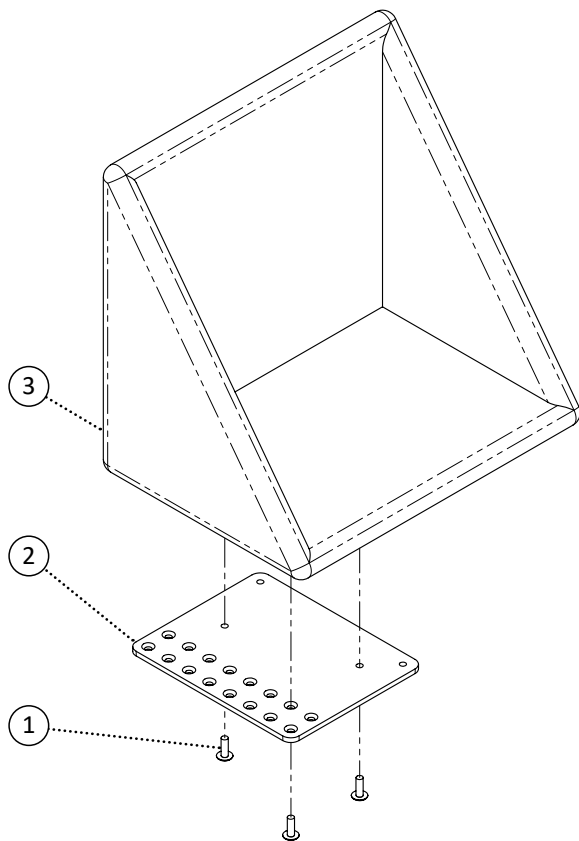


Item	REF Number	Description	Quantity	MSRP	Notes
1	548881	Padding, One Piece Footboard Pad	1		
2	549382	Screw, Truss Head 1/4-20 x 3/4	4		
3	548510	Clamp, Rubber Clamp 1	1		



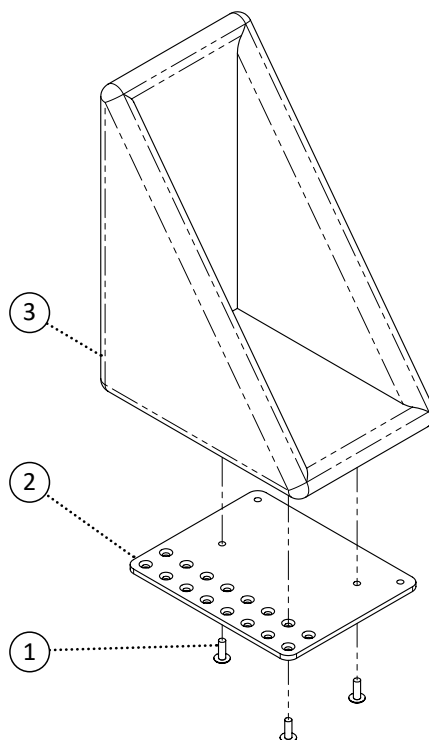
Item	REF Number	Description	Quantity	MSRP	Notes
1	548538	Guard, Pivot Footrest Hanger Cover Left	1		
2	548539	Guard, Pivot Footrest Hanger Cover Right	1		
3	548534	Guard, Elevating Footrest Hanger Cover Left	1		
4	548535	Guard, Elevating Footrest Hanger Cover Right	1		
5	548541	Guard, Pivot Footrest Receiver Cover	1		
6	548540	Guard, Pin-Style Footrest Receiver Cover	1		
7	548536	Guard, Folding Footrest Receiver Cover Left	1		
8	548537	Guard, Folding Footrest Receiver Cover Right	1		





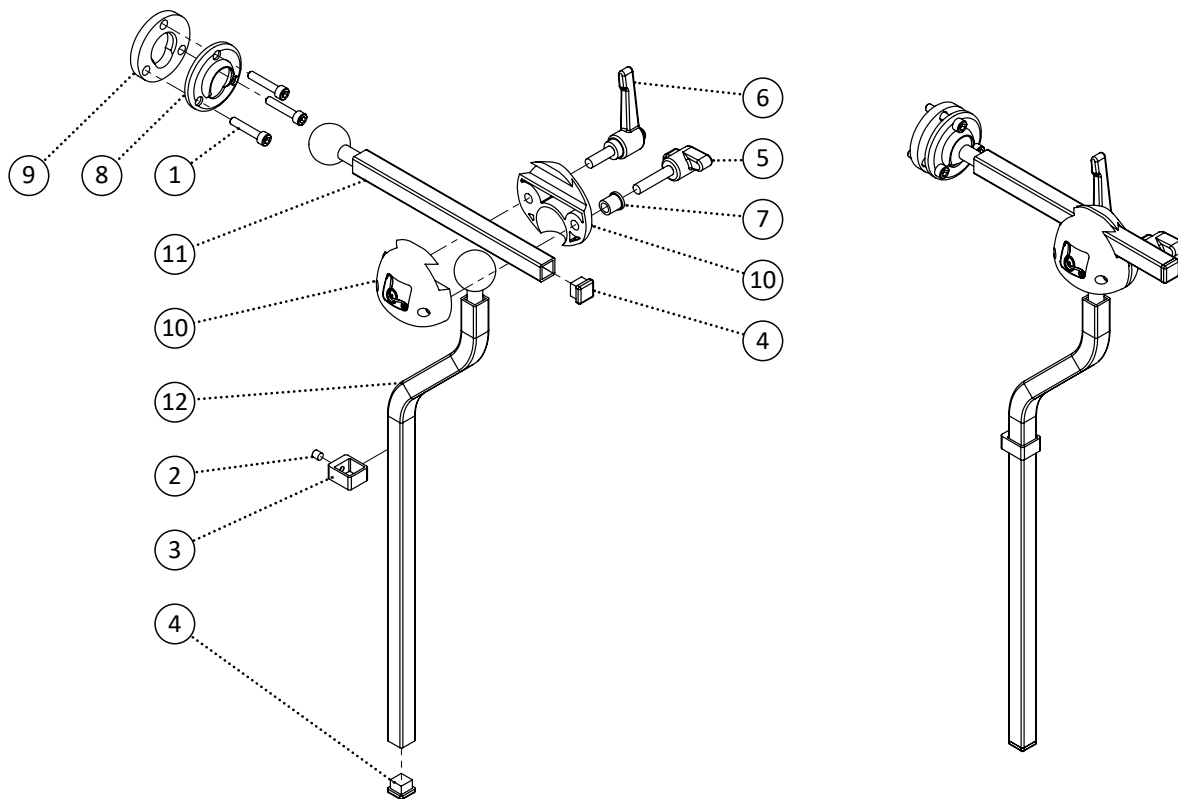
Item	REF Number	Description	Quantity	MSRP	Notes
1	549382	Screw, Truss Head 1/4-20 x 3/4	3		
2	549776	Footplate, Angle Adjust Plate 16 Footbox Left	1		
3	549777	Footplate, Angle Adjust Plate 16 Footbox Right	1		
4	549778	Footplate, Angle Adjust Plate 18 Footbox Left	1		
5	549779	Footplate, Angle Adjust Plate 18 Footbox Right	1		
6	549780	Footplate, Angle Adjust Plate 20 Footbox Left	1		
7	549781	Footplate, Angle Adjust Plate 20 Footbox Right	1		
8	549782	PPM, Footbox Soft 16	1		
9	549783	PPM, Footbox Soft 18	1		
10	549784	PPM, Footbox Soft 20	1		
11	549785	PPM, Footbox Soft 22	1		
12	549786	PPM, Footbox Soft 24	1		
13	549787	PPM, Footbox Soft 26	1		
14	549788	PPM, Footbox Soft 28	1		
15	549789	PPM, Footbox Soft 30	1		
16	549790	PPM, Footbox Hard 16	1		
17	549791	PPM, Footbox Hard 18	1		
18	549792	PPM, Footbox Hard 20	1		
19	549793	PPM, Footbox Hard 22	1		

Item	REF Number	Description	Quantity	MSRP	Notes
20	549794	PPM, Footbox Hard 24	1		
21	549795	PPM, Footbox Hard 26	1		
22	549796	PPM, Footbox Hard 28	1		
23	549797	PPM, Footbox Hard 30	1		
1,2,3,16	549798	Kit, Footbox Hard 16 Complete	1		
1,4,5,17	549799	Kit, Footbox Hard 18 Complete	1		
1,6,7,18	549800	Kit, Footbox Hard 20 Complete	1		
1,6,7,19	549801	Kit, Footbox Hard 22 Complete	1		
1,6,7,20	549802	Kit, Footbox Hard 24 Complete	1		
1,6,7,21	549803	Kit, Footbox Hard 26 Complete	1		
1,6,7,22	549804	Kit, Footbox Hard 28 Complete	1		
1,6,7,23	549805	Kit, Footbox Hard 30 Complete	1		

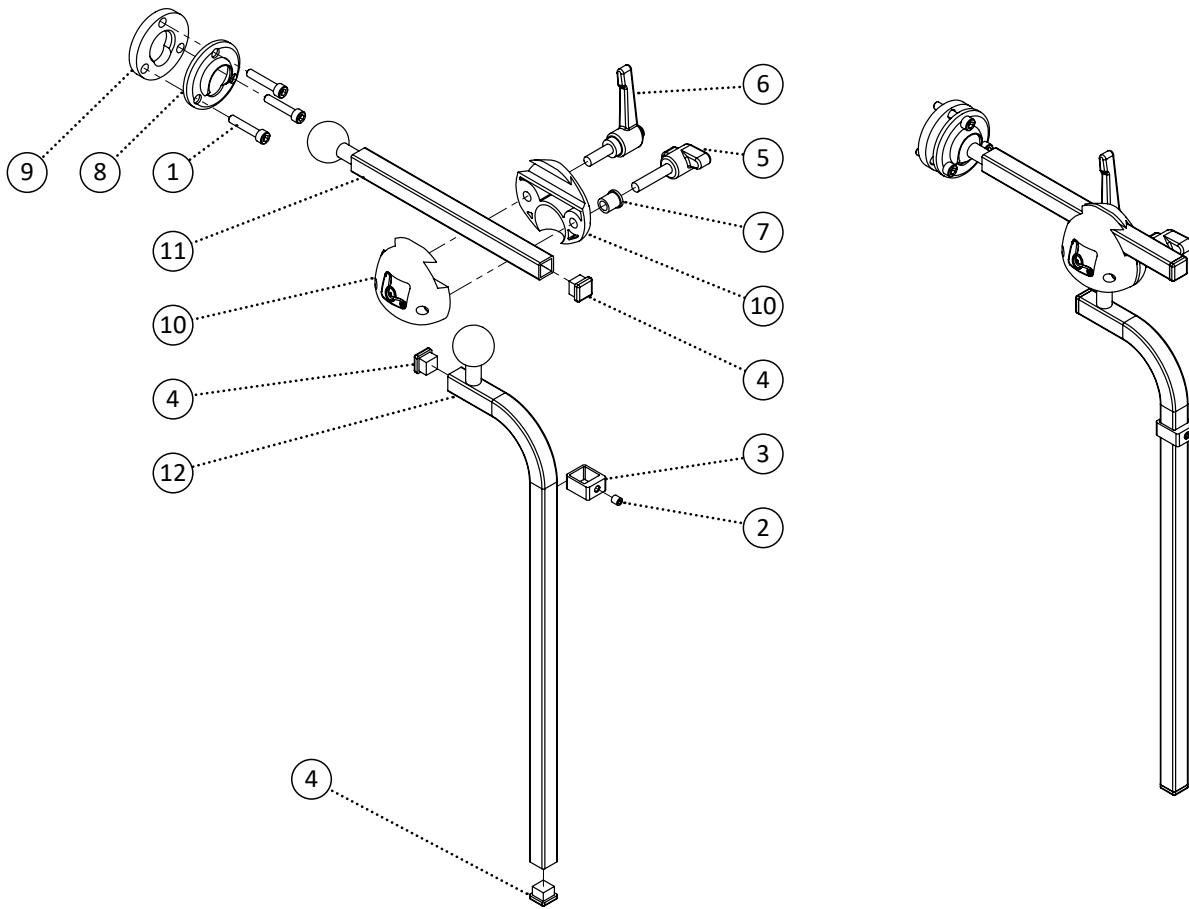


Item	REF Number	Description	Quantity	MSRP	Notes
1	549382	Screw, Truss Head 1/4-20 x 3/4	3		
2	549776	Footplate, Angle Adjust Plate 16 Footbox Left	1		
3	549777	Footplate, Angle Adjust Plate 16 Footbox Right	1		
4	549778	Footplate, Angle Adjust Plate 18 Footbox Left	1		
5	549779	Footplate, Angle Adjust Plate 18 Footbox Right	1		
6	549780	Footplate, Angle Adjust Plate 20 Footbox Left	1		
7	549781	Footplate, Angle Adjust Plate 20 Footbox Right	1		
8	549806	PPM, Foot Pocket Hard 16	1		
9	549807	PPM, Foot Pocket Hard 18	1		
10	549808	PPM, Foot Pocket Hard 20	1		
11	549809	PPM, Foot Pocket Hard 22	1		
12	549810	PPM, Foot Pocket Hard 24	1		
13	549811	PPM, Foot Pocket Hard 26	1		
14	549812	PPM, Foot Pocket Hard 28	1		
15	549813	PPM, Foot Pocket Hard 30	1		
1,2,8	549814	Kit, Foot Pocket Hard 16 Left Complete	1		
1,3,8	549815	Kit, Foot Pocket Hard 16 Right Complete	1		
1,4,9	549816	Kit, Foot Pocket Hard 18 Left Complete	1		
1,5,9	549817	Kit, Foot Pocket Hard 18 Right Complete	1		

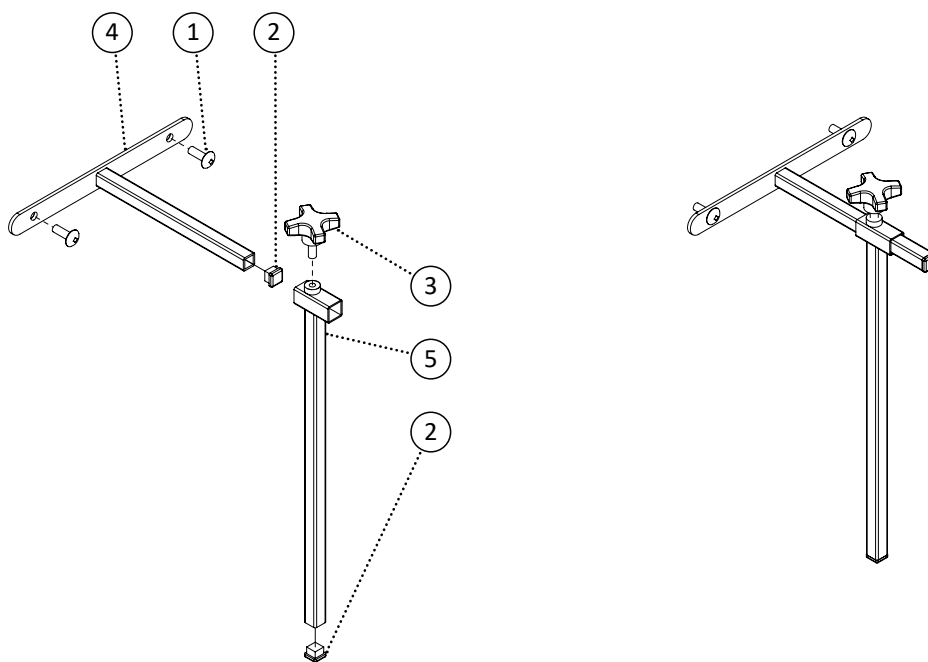
Item	REF Number	Description	Quantity	MSRP	Notes
1,6,10	549818	Kit, Foot Pocket Hard 20 Left Complete	1		
1,7,10	549819	Kit, Foot Pocket Hard 20 Right Complete	1		
1,6,11	549820	Kit, Foot Pocket Hard 22 Left Complete	1		
1,7,11	549821	Kit, Foot Pocket Hard 22 Right Complete	1		
1,6,12	549822	Kit, Foot Pocket Hard 24 Left Complete	1		
1,7,12	549823	Kit, Foot Pocket Hard 24 Right Complete	1		
1,6,13	549824	Kit, Foot Pocket Hard 26 Left Complete	1		
1,7,13	549825	Kit, Foot Pocket Hard 26 Right Complete	1		
1,6,14	549826	Kit, Foot Pocket Hard 28 Left Complete	1		
1,7,14	549827	Kit, Foot Pocket Hard 28 Right Complete	1		
1,6,15	549828	Kit, Foot Pocket Hard 30 Left Complete	1		
1,7,15	549829	Kit, Foot Pocket Hard 30 Right Complete	1		



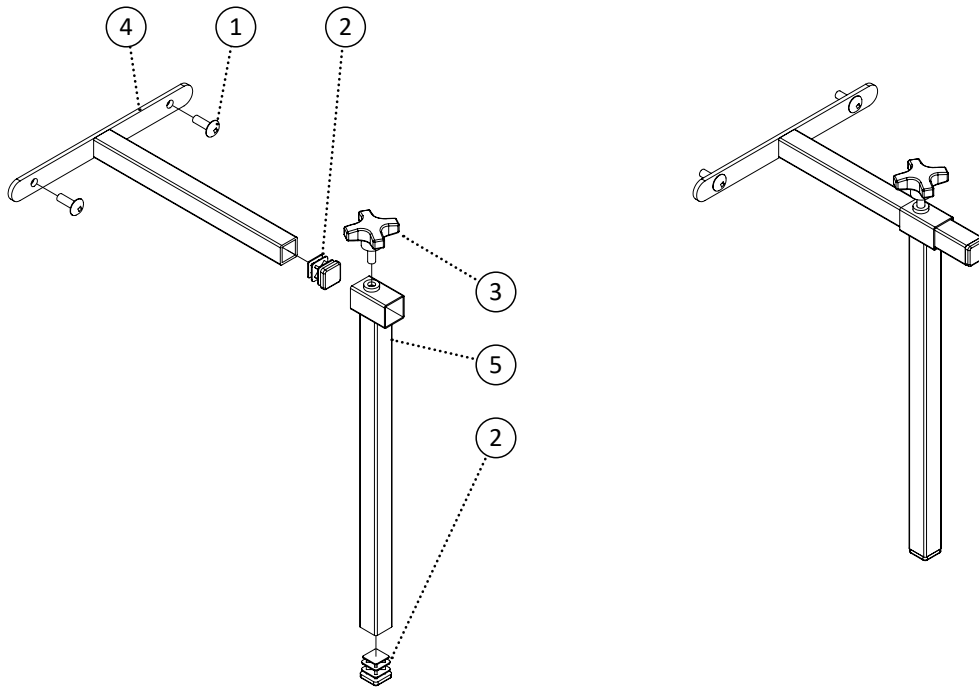
Item	REF Number	Description	Quantity	MSRP	Notes
1	549373	Screw, Socket Head 10-24 x 1	3		
2	549367	Screw, Set Screw 10-24 x 3/16	1		
3	548412	Bracket, 1/2 Locking Collar	1		
4	548479	Cap, 1/2 Square Cap	2		
5	548840	Knob, 2 Prong 1/4-20 x 1-1/8	1		
6	548843	Knob, Clamp Handle 1/4-20 x 3/4	1		
7	549387	Spacer, Custom Headrest Block Spacer	1		
8	549440	Washer, Swivel Pad Mount	1		
9	549439	Washer, Swivel Ball Mount	1		
10	548410	Block, Headrest Block v1	1		
11	549104	PPM, Horizontal Swivel Neck	1		
11	549105	PPM, Horizontal Swivel Neck Long	1		
12	549307	PPM, Vertical S-Bend Neck	1		
1-12	549308	Kit, Multi-Axis Neck S-Bend Complete Kit	1		



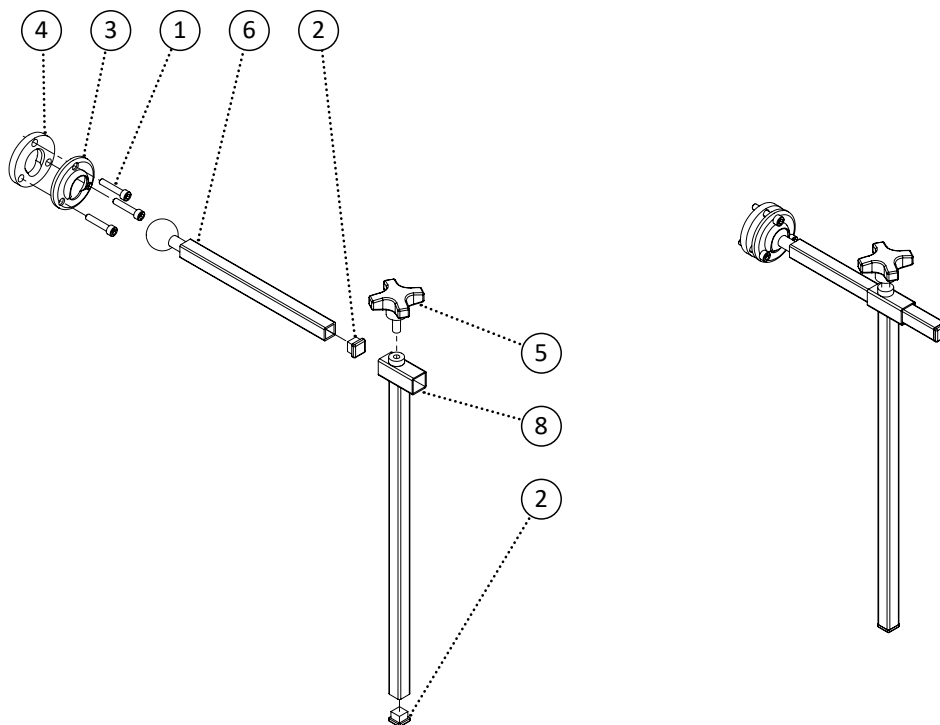
Item	REF Number	Description	Quantity	MSRP	Notes
1	549373	Screw, Socket Head 10-24 x 1	3		
2	549367	Screw, Set Screw 10-24 x 3/16	1		
3	548412	Bracket, 1/2 Locking Collar	1		
4	548479	Cap, 1/2 Square Cap	2		
5	548840	Knob, 2 Prong 1/4-20 x 1-1/8	1		
6	548843	Knob, Clamp Handle 1/4-20 x 3/4	1		
7	549387	Spacer, Custom Headrest Block Spacer	1		
8	549440	Washer, Swivel Pad Mount	1		
9	549439	Washer, Swivel Ball Mount	1		
10	548410	Block, Headrest Block v1	1		
11	549104	PPM, Horizontal Swivel Neck	1		
12	549105	PPM, Horizontal Swivel Neck Long	1		
13	549286	PPM, Vertical L-Bend Neck	1		
1-11,13	548754	Kit, Multi-Axis Neck L-Bend Complete Kit	1		



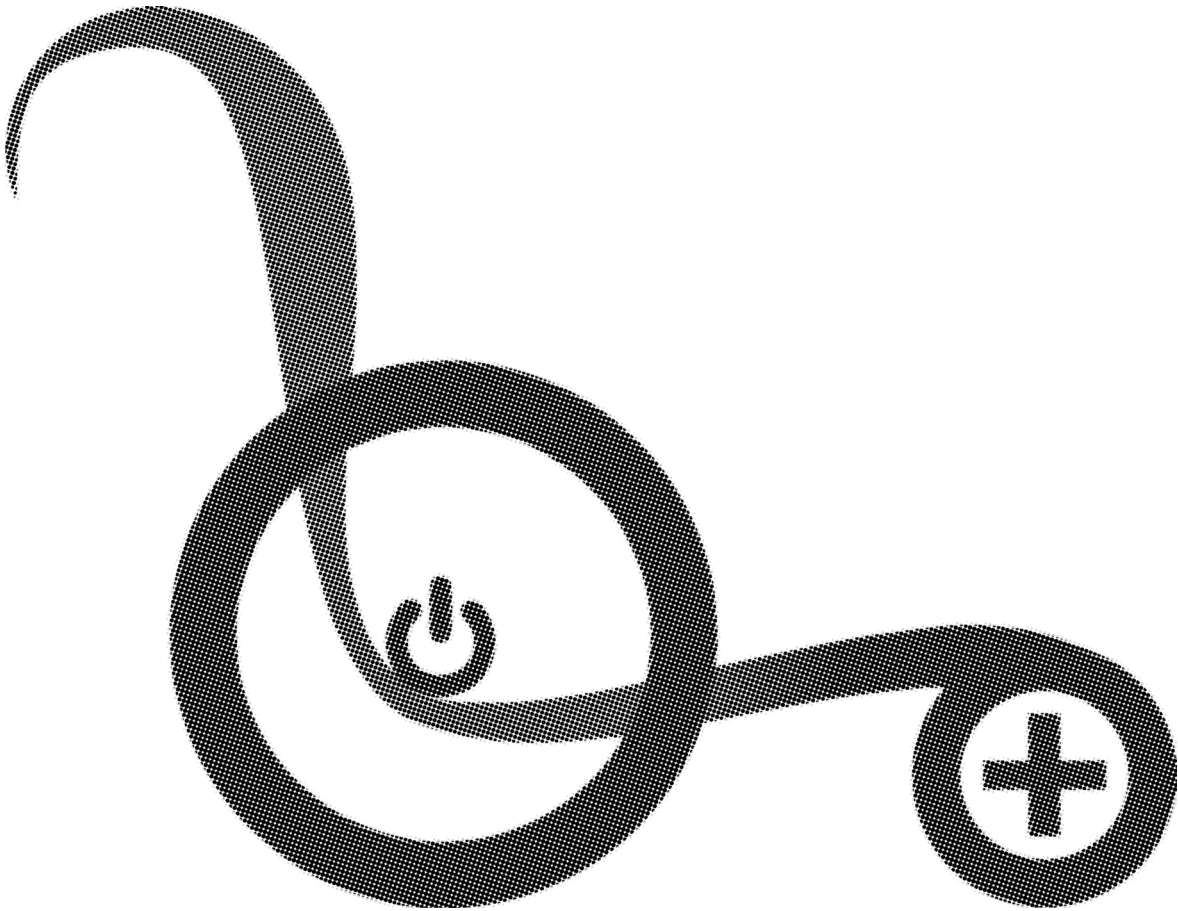
Item	REF Number	Description	Quantity	MSRP	Notes
1	549382	Screw, Truss Head 1/4-20 x 3/4	2		
2	548479	Cap, 1/2 Square Cap	2		
3	548841	Knob, 4 Prong 1/4-20 x 3/16	1		
4	548895	PPM, 1/2 Horizontal Fixed Neck	1		
5	548896	PPM, 1/2 Vertical Fixed Neck	1		
1-5	548831	Kit, Vertical Horizontal 1/2 Complete Kit	1		

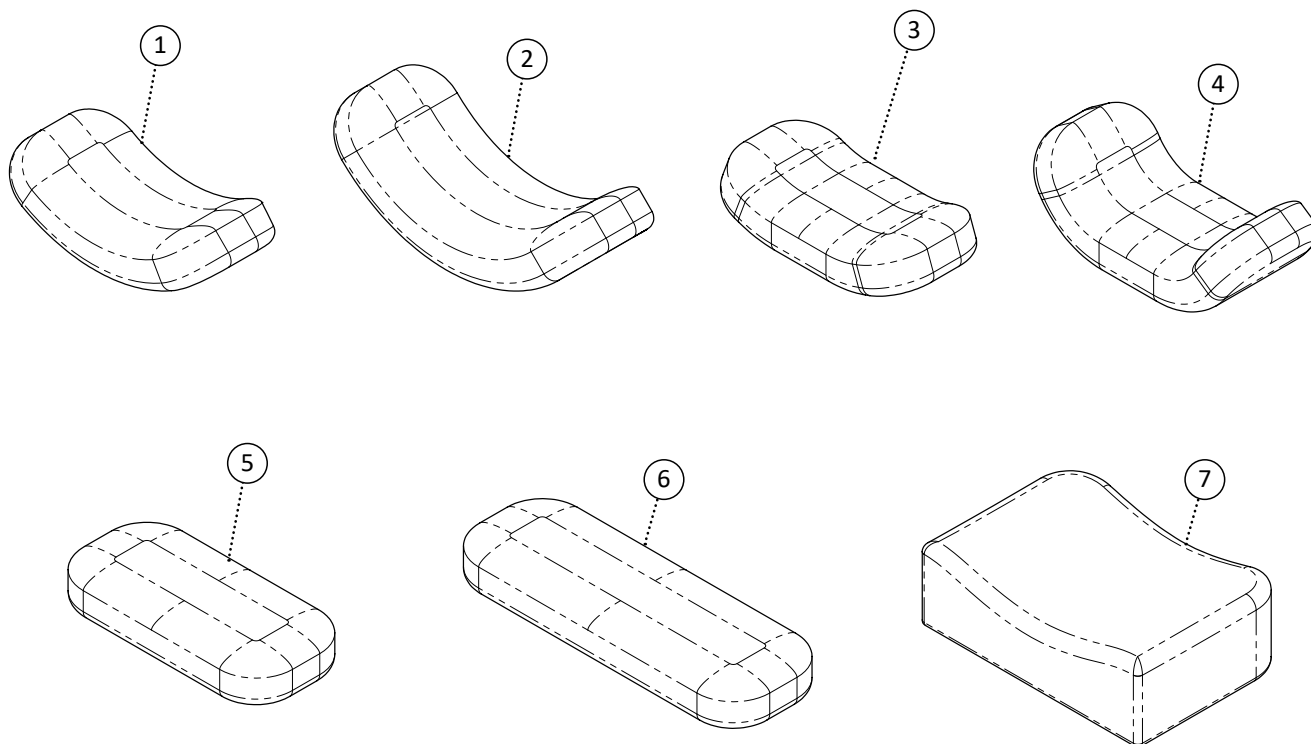


Item	REF Number	Description	Quantity	MSRP	Notes
1	549382	Screw, Truss Head 1/4-20 x 3/4	2		
2	548482	Cap, 3/4 Square Cap	2		
3	548841	Knob, 4 Prong 1/4-20 x 3/16	1		
4	548897	PPM, 3/4 Horizontal Fixed Neck	1		
5	548898	PPM, 3/4 Vertical Fixed Neck	1		
1-5	548832	Kit, Vertical Horizontal 3/4 Complete Kit	1		

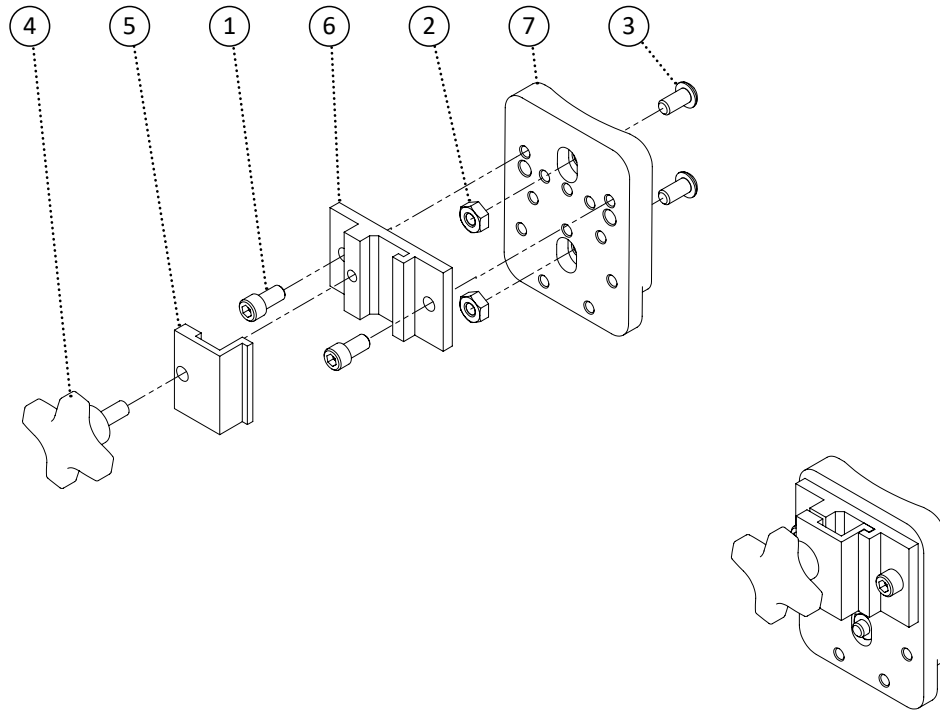


Item	REF Number	Description	Quantity	MSRP	Notes
1	549373	Screw, Socket Head 10-24 x 1	3		
2	548479	Cap, 1/2 Square Cap	2		
3	549440	Washer, Swivel Pad Mount	1		
4	549439	Washer, Swivel Ball Mount	1		
5	548841	Knob, 4 Prong 1/4-20 x 3/16	1		
6	549104	PPM, Horizontal Swivel Neck	1		
7	549105	PPM, Horizontal Swivel Neck Long	1		
8	548896	PPM, 1/2 Vertical Fixed Neck	1		
1-6,8	550120	Kit, Vertical Horizontal Multi-Axis 1/2 Complete Kit	1		

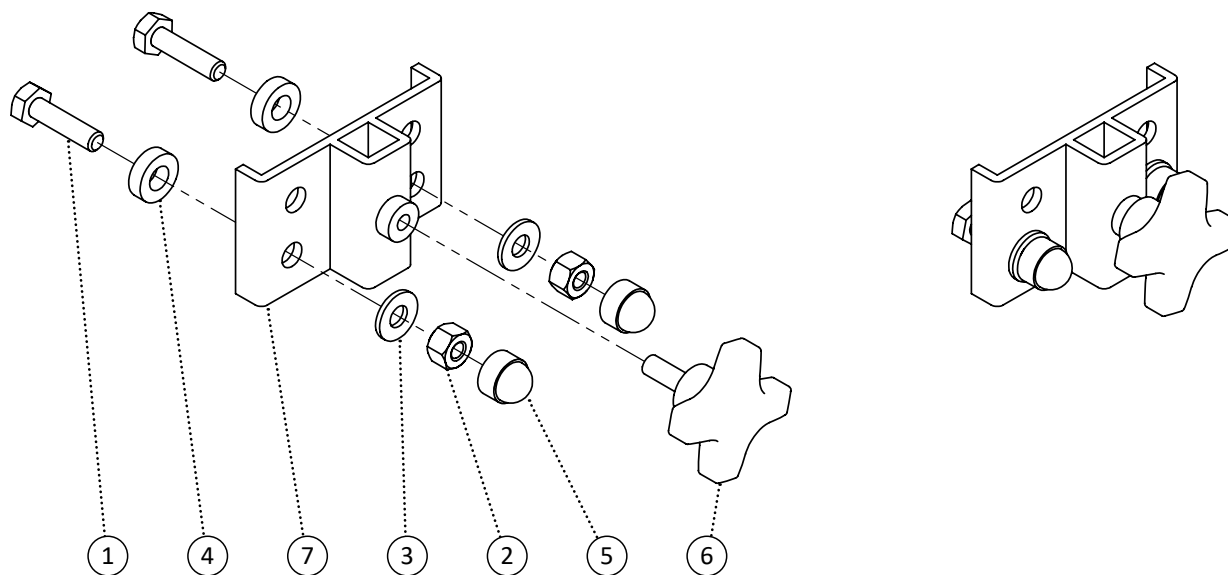




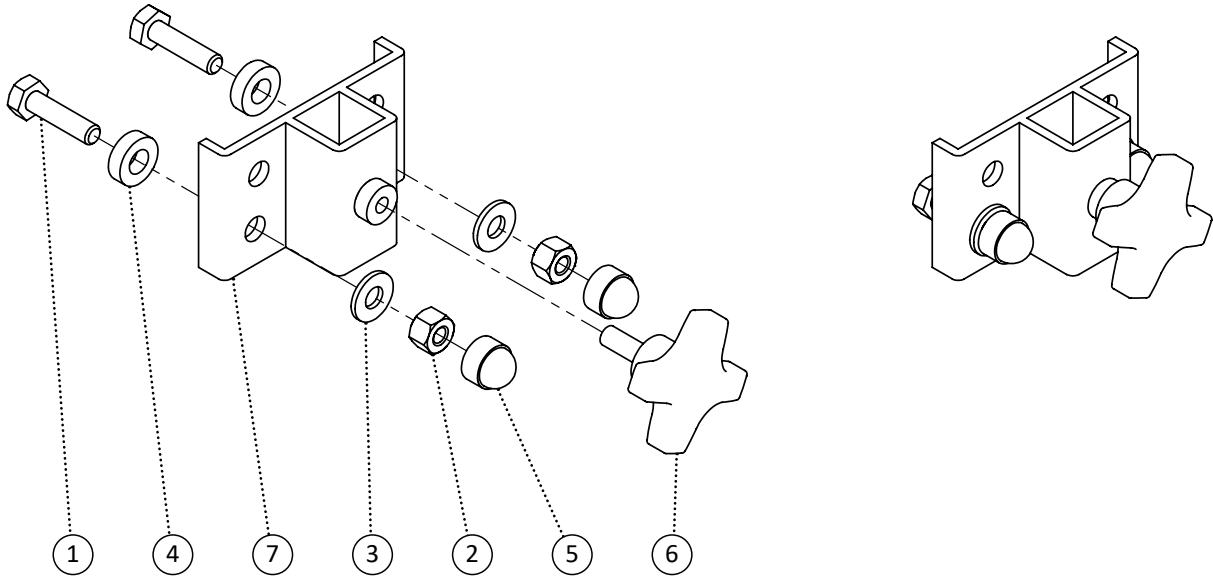
Item	REF Number	Description	Quantity	MSRP	Notes
1	548556	Headrest Pad, Contoured Pad Medium	1		
2	548555	Headrest Pad, Contoured Pad Large	1		
3	548557	Headrest Pad, Flat Pad Small	1		
4	548560	Headrest Pad, Polyurethane Pad Large	1		
5	548559	Headrest Pad, Flex Pad Small	1		
6	548558	Headrest Pad, Flex Pad Large	1		
7	548563	Headrest Pad, Square Pad Large	1		



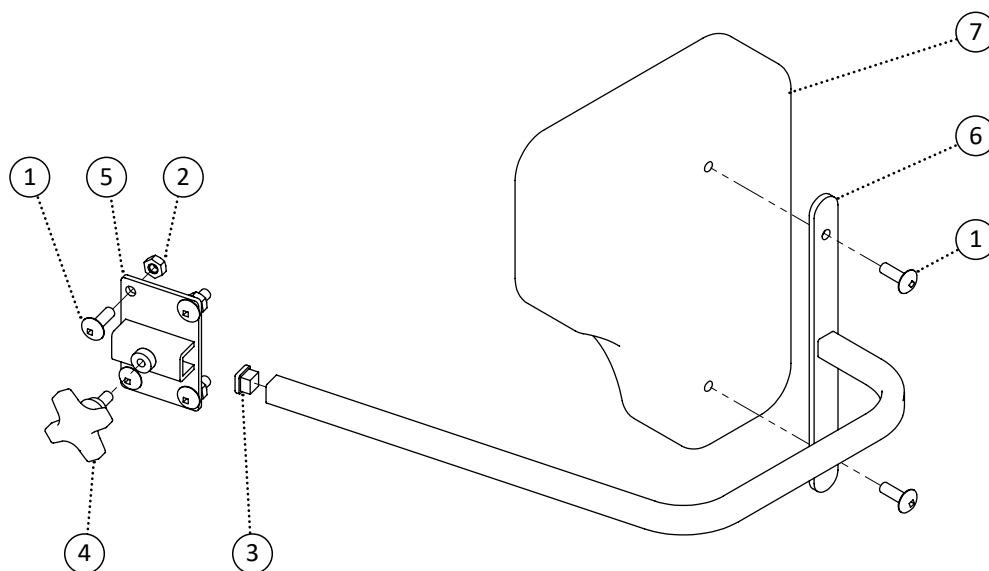
Item	REF Number	Description	Quantity	MSRP	Notes
1	549369	Screw, Socket Head 1/4-20 x 1/2	2		
2	548859	Nut, Nylon Lock Nut 1/4-20	2		
3	549348	Screw, Pan Head 1/4-20 x 1/2	2		
4	548844	Knob, Knob Screw 1/4-20	1		
5	548442	Bracket, Universal Headrest Mount Clamp 1	1		
6	548443	Bracket, Universal Headrest Mount Clamp 2	1		
7	548444	Bracket, Universal Headrest Mount Clamp 3	1		
1-7	548830	Kit, Universal Headrest Mount Complete Kit	1		



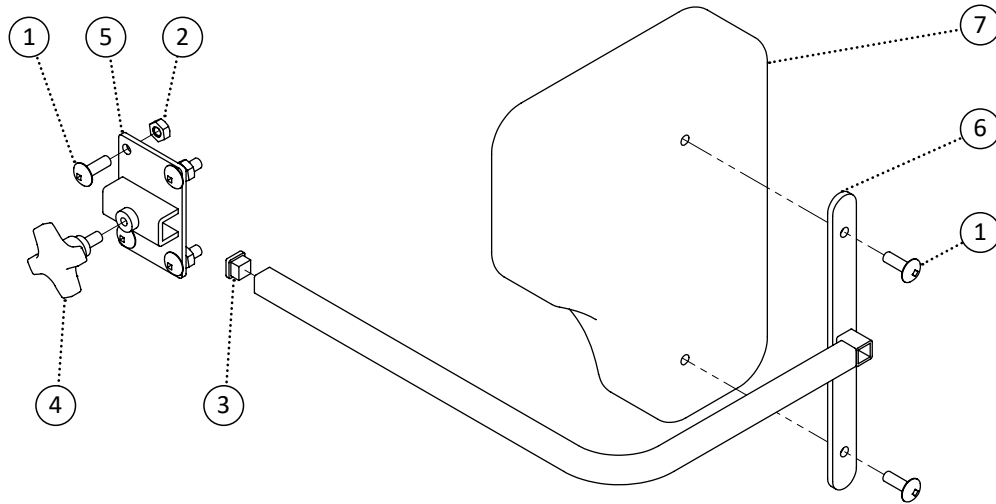
Item	REF Number	Description	Quantity	MSRP	Notes
1	549326	Screw, Hex Bolt 1/4-20 x 1	2		
2	548859	Nut, Nylon Lock Nut 1/4-20	2		
3	549423	Washer, Flat Washer 1/4 ID. x 5/8 OD.	2		
4	549390	Spacer, Nylon Spacer 5/16 ID. x .6 OD. x .18thk (blk)	2		
5	548480	Cap, 1/4 Nut Cap	2		
6	548844	Knob, Knob Screw 1/4-20	2		
7	548435	Bracket, Headrest Mount 1/2	1		
1-7	548740	Kit, Headrest Mount 1/2 Complete Kit	1		



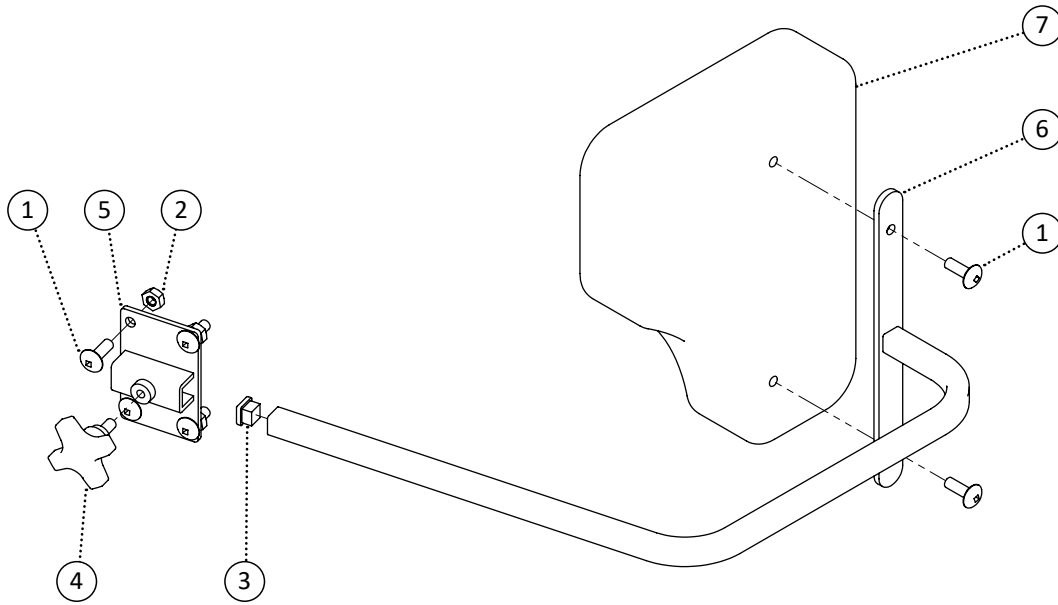
Item	REF Number	Description	Quantity	MSRP	Notes
1	549326	Screw, Hex Bolt 1/4-20 x 1	2		
2	548859	Nut, Nylon Lock Nut 1/4-20	2		
3	549423	Washer, Flat Washer 1/4 ID. x 5/8 OD.	2		
4	549390	Spacer, Nylon Spacer 5/16 ID. x .6 OD. x .18thk (blk)	2		
5	548480	Cap, 1/4 Nut Cap	2		
6	548844	Knob, Knob Screw 1/4-20	2		
7	549309	Bracket, Headrest Mount 3/4	1		
1-7	549310	Kit, Headrest Mount 3/4 Complete Kit	1		



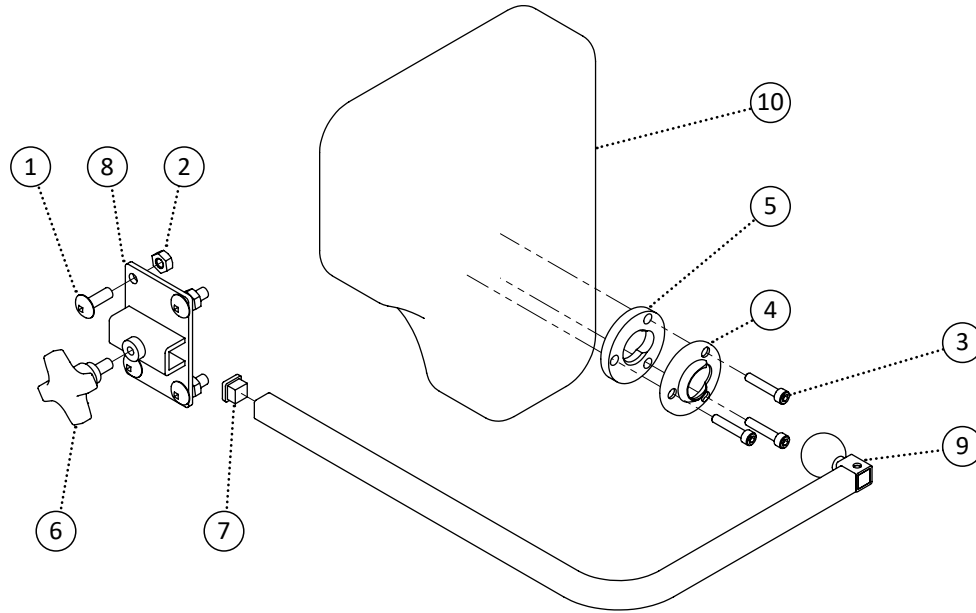
Item	REF Number	Description	Quantity	MSRP	Notes
1	549382	Screw, Truss Head 1/4-20 x 3/4	6		
2	548870	Nut, Nylon Lock Nut Thin 1/4-20	4		
3	548479	Cap, 1/2 Square Cap	1		
4	548841	Knob, 4 Prong 1/4-20 x 3/16	1		
5	549709	Bracket, Flat Headrest Mount 1/2	1		
6	549724	PPM, Lateral Bracket Fixed Standard	1		
7	549702	PPM, Lateral Padding Bite Out	1		
8	549703	PPM, Lateral Padding no Bite Out	1		
1-5,6	549704	Kit, Lateral Padding Bite Out Left Fixed Standard Complete	1		
1-5,6	549705	Kit, Lateral Padding Bite Out Right Fixed Standard Complete	1		
1-5,7	549706	Kit, Lateral Padding no Bite Out Left Fixed Standard Complete	1		
1-5,7	549707	Kit, Lateral Padding no Bite Out Right Fixed Standard Complete	1		
1,2,4,5	549708	Kit, Bracket Flat Headrest Mount 1/2	1		



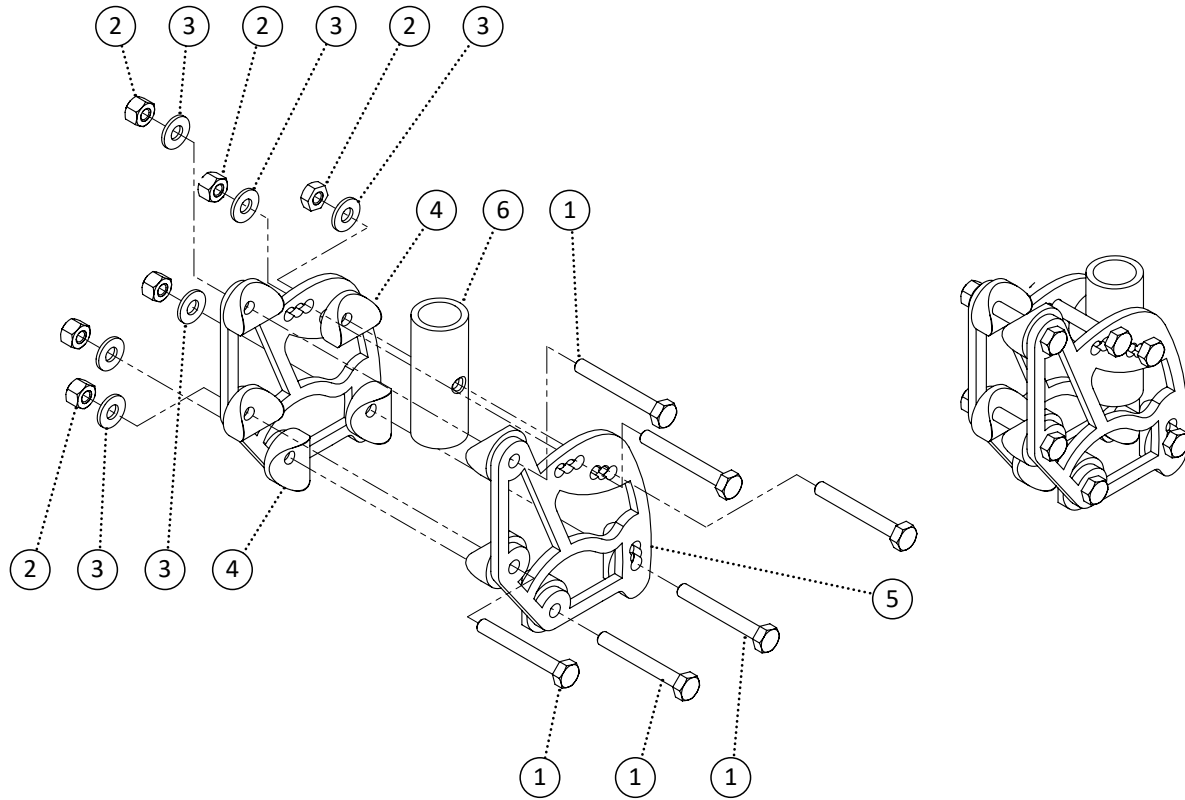
Item	REF Number	Description	Quantity	MSRP	Notes
1	549382	Screw, Truss Head 1/4-20 x 3/4	6		
2	548870	Nut, Nylon Lock Nut Thin 1/4-20	4		
3	548479	Cap, 1/2 Square Cap	1		
4	548841	Knob, 4 Prong 1/4-20 x 3/16	1		
5	549709	Bracket, Flat Headrest Mount 1/2	1		
6	549710	PPM, Lateral Bracket Fixed Short	1		
7	549702	PPM, Lateral Padding Bite Out	1		
8	549703	PPM, Lateral Padding no Bite Out	1		
1-5,6	549711	Kit, Lateral Padding Bite Out Left Fixed Short Complete	1		
1-5,6	549712	Kit, Lateral Padding Bite Out Right Fixed Short Complete	1		
1-5,7	549713	Kit, Lateral Padding no Bite Out Left Fixed Short Complete	1		
1-5,7	549714	Kit, Lateral Padding no Bite Out Right Fixed Short Complete	1		
1,2,4,5	549708	Kit, Bracket Flat Headrest Mount 1/2	1		



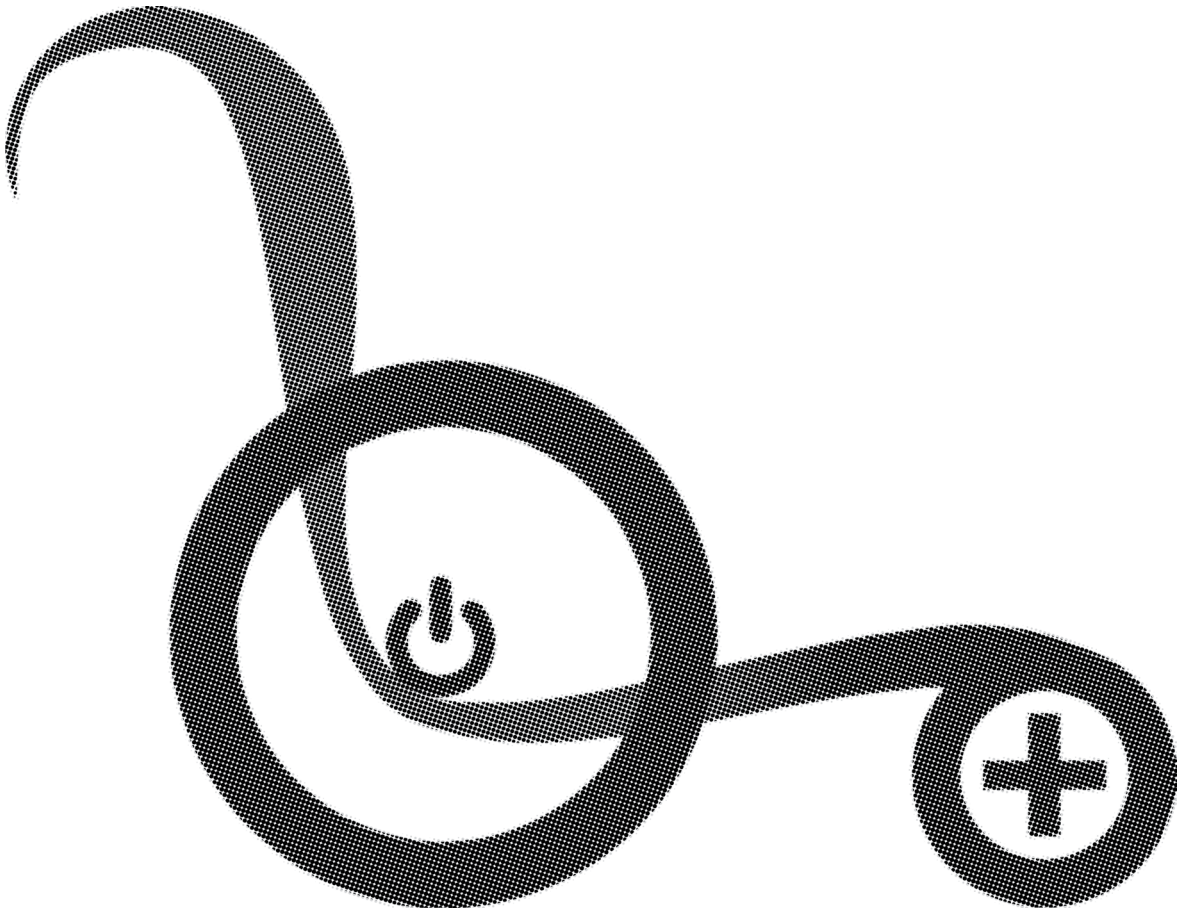
Item	REF Number	Description	Quantity	MSRP	Notes
1	549382	Screw, Truss Head 1/4-20 x 3/4	6		
2	548870	Nut, Nylon Lock Nut Thin 1/4-20	4		
3	548479	Cap, 1/2 Square Cap	1		
4	548841	Knob, 4 Prong 1/4-20 x 3/16	1		
5	549709	Bracket, Flat Headrest Mount 1/2	1		
6	549701	PPM, Lateral Bracket Fixed Long	1		
7	549702	PPM, Lateral Padding Bite Out	1		
8	549703	PPM, Lateral Padding no Bite Out	1		
1-5,6	549715	Kit, Lateral Padding Bite Out Left Fixed Long Complete	1		
1-5,6	549716	Kit, Lateral Padding Bite Out Right Fixed Long Complete	1		
1-5,7	549717	Kit, Lateral Padding no Bite Out Left Fixed Long Complete	1		
1-5,7	549718	Kit, Lateral Padding no Bite Out Right Fixed Long Complete	1		
1,2,4,5	549708	Kit, Bracket Flat Headrest Mount 1/2	1		

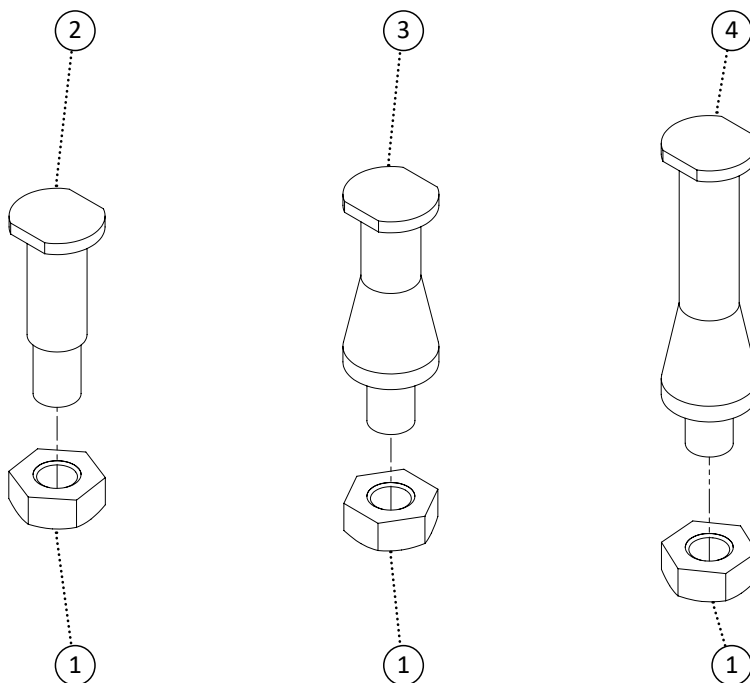


Item	REF Number	Description	Quantity	MSRP	Notes
1	549382	Screw, Truss Head 1/4-20 x 3/4	4		
2	548870	Nut, Nylon Lock Nut Thin 1/4-20	4		
3	549373	Screw, Socket Head 10-24 x 1	3		
4	549440	Washer, Swivel Pad Mount	1		
5	549439	Washer, Swivel Ball Mount	1		
6	548841	Knob, 4 Prong 1/4-20 x 3/16	1		
7	548479	Cap, 1/2 Square Cap	1		
8	549709	Bracket, Flat Headrest Mount 1/2	1		
9	549719	PPM, Lateral Bracket Multi-Axis 90 Degrees	1		
10	549702	PPM, Lateral Padding Bite Out	1		
11	549703	PPM, Lateral Padding no Bite Out	1		
1-9,10	549720	Kit, Lateral Padding Bite Out Left Multi-Axis 90 Complete	1		
1-9,10	549721	Kit, Lateral Padding Bite Out Right Multi-Axis 90 Complete	1		
1-9,11	549722	Kit, Lateral Padding no Bite Out Left Multi-Axis 90 Complete	1		
1-9,11	549723	Kit, Lateral Padding no Bite Out Right Multi-Axis 90 Complete	1		
1,2,6,8	549708	Kit, Bracket Flat Headrest Mount 1/2	1		
1,3,8	549815	Kit, Foot Pocket Hard 16 Right Complete	1		
1,4,9	549816	Kit, Foot Pocket Hard 18 Left Complete	1		
1,5,9	549817	Kit, Foot Pocket Hard 18 Right Complete	1		

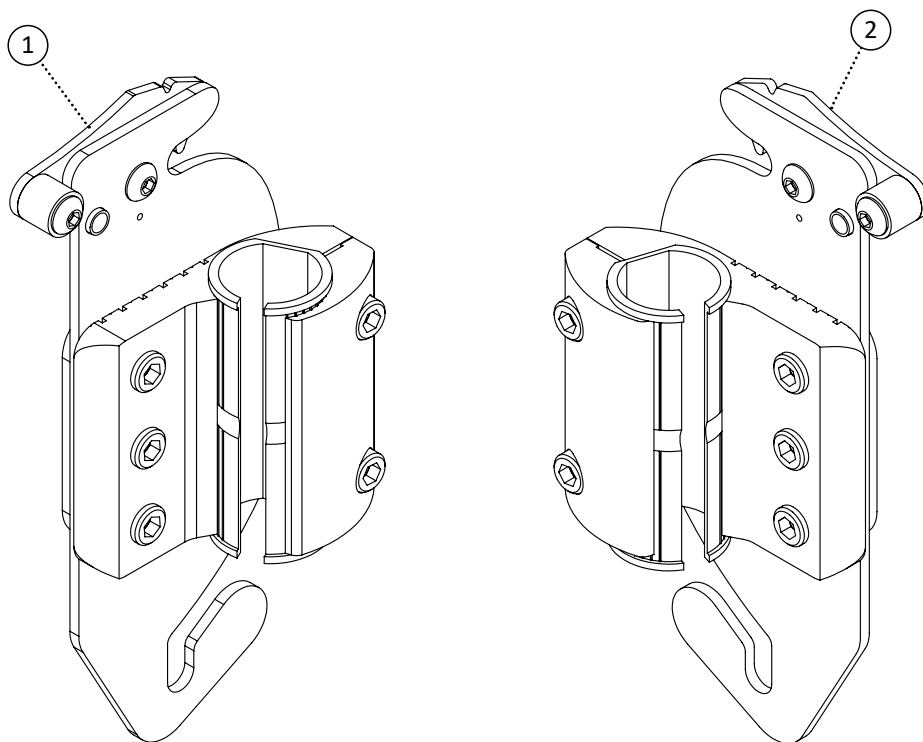


Item	REF Number	Description	Quantity	MSRP	Notes
1	549331	Screw, Hex Bolt 1/4-20 x 2	6		
2	548859	Nut, Nylon Lock Nut 1/4-20	6		
3	549423	Washer, Flat Washer 1/4 ID. x 5/8 OD.	6		
4	549433	Washer, Radius Washer 1/4 ID. x 1 OD. x 1cu	5		
5	548415	Bracket, Angle Adjustable Flip Back Bracket	2		
6	548934	PPM, Arm Flip Back Hinge Receiver	1		
1-6	548600	Kit, Angle Adjustable Flip Back (Folding Chair)	1		

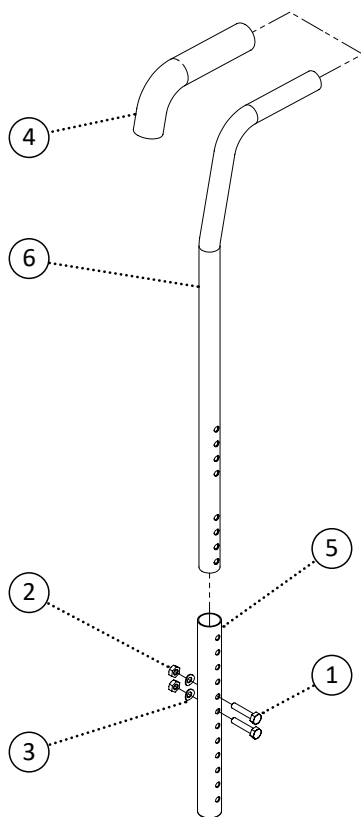




Item	REF Number	Description	Quantity	MSRP	Notes
1	548872	Nut, Nylon Lock Nut Thin 1/4-28	1		
2	549725	Pin, Back Pin Standard	1		
3	549726	Pin, Back Pin 1 Total Width	1		
4	549727	Pin, Back Pin 2 Total Width	1		
1,2	549728	Kit, Back Pin Standard Complete	1		
1,3	549729	Kit, Back Pin 1 Total Width Complete	1		
1,4	549730	Kit, Back Pin 2 Total Width Complete	1		

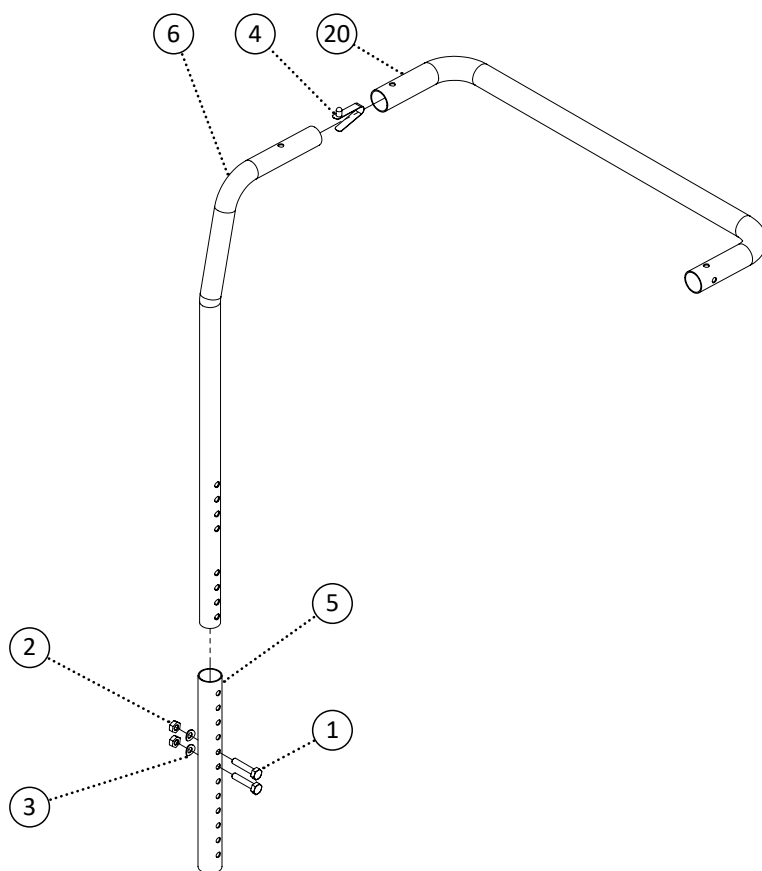


Item	REF Number	Description	Quantity	MSRP	Notes
1	548507	Clamp, Backpost Clamp Right	1		
2	548506	Clamp, Backpost Clamp Left	1		
1-2	548630	Kit, Backpost Clamp Left and Right Complete Kit	1		



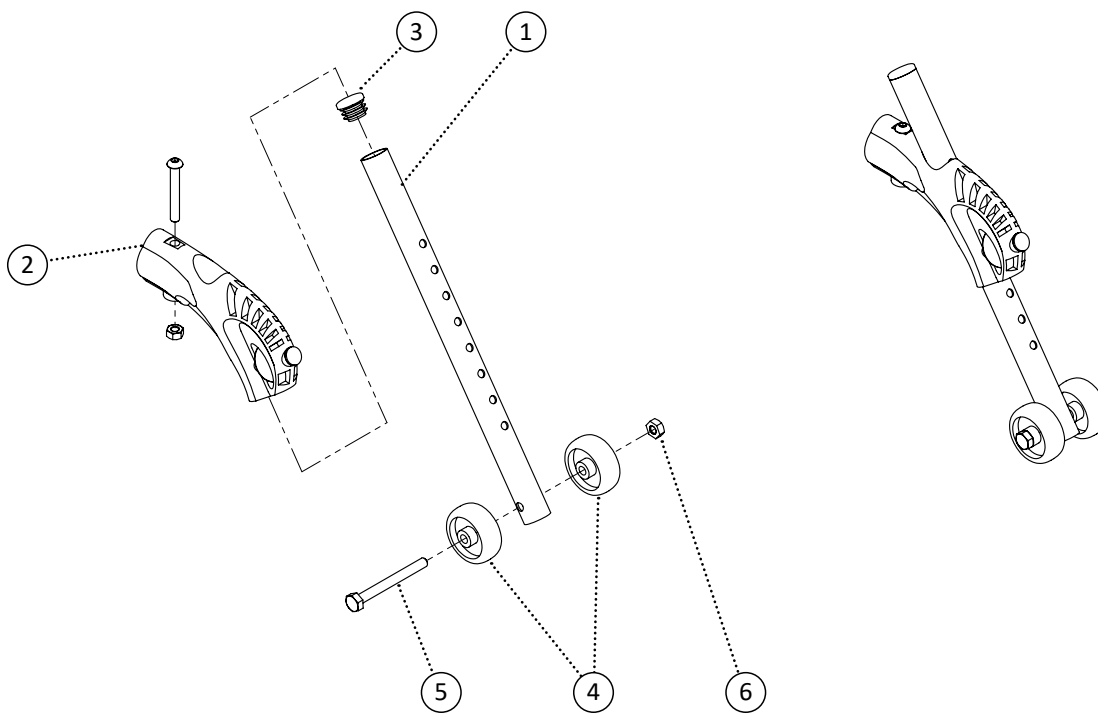
Item	REF Number	Description	Quantity	MSRP	Notes
1	549329	Screw, Hex Bolt 1/4-20 x 1-1/4	2		
2	548859	Nut, Nylon Lock Nut 1/4-20	2		
3	549414	Washer, Curved Washer 1/4 ID. x 1/2 OD. x .037thk	2		
4	548542	Handle, 7/8 Rubber Handle	1		
5	548972	PPM, Backpost Single Receiver	1		
6	548973	PPM, Backpost Single Regular Length	1		
7	548974	PPM, Backpost Single Short Length	1		
8	548962	PPM, Backpost Single Endomorph In 1/2 Offset Left	1		
9	548963	PPM, Backpost Single Endomorph In 1/2 Offset Right	1		
10	548960	PPM, Backpost Single Endomorph In 1 Offset Left	1		
11	548961	PPM, Backpost Single Endomorph In 1 Offset Right	1		
12	548964	PPM, Backpost Single Endomorph In 2 Offset Left	1		
13	548965	PPM, Backpost Single Endomorph In 2 Offset Right	1		
14	548968	PPM, Backpost Single Endomorph Out 1/2 Offset Left	1		
15	548969	PPM, Backpost Single Endomorph Out 1/2 Offset Right	1		
16	548966	PPM, Backpost Single Endomorph Out 1 Offset Left	1		
17	548967	PPM, Backpost Single Endomorph Out 1 Offset Right	1		
18	548970	PPM, Backpost Single Endomorph Out 2 Offset Left	1		
19	548971	PPM, Backpost Single Endomorph Out 2 Offset Right	1		

Item	REF Number	Description	Quantity	MSRP	Notes
1-4,5	548663	Kit, Backpost Single Receiver Complete	1		
1-4,6	548664	Kit, Backpost Single Regular Length Complete	1		
1-4,7	548665	Kit, Backpost Single Short Length Complete	1		
1-4,8	548653	Kit, Backpost Single Endomorph In 1/2 Offset Left Complete	1		
1-4,9	548654	Kit, Backpost Single Endomorph In 1/2 Offset Right Complete	1		
1-4,10	548651	Kit, Backpost Single Endomorph In 1 Offset Left Complete	1		
1-4,11	548652	Kit, Backpost Single Endomorph In 1 Offset Right Complete	1		
1-4,12	548655	Kit, Backpost Single Endomorph In 2 Offset Left Complete	1		
1-4,13	548656	Kit, Backpost Single Endomorph In 2 Offset Right Complete	1		
1-4,14	548659	Kit, Backpost Single Endomorph Out 1/2 Offset Left Complete	1		
1-4,15	548660	Kit, Backpost Single Endomorph Out 1/2 Offset Right Complete	1		
1-4,16	548657	Kit, Backpost Single Endomorph Out 1 Offset Left Complete	1		
1-4,17	548658	Kit, Backpost Single Endomorph Out 1 Offset Right Complete	1		
1-4,18	548661	Kit, Backpost Single Endomorph Out 2 Offset Left Complete	1		
1-4,19	548662	Kit, Backpost Single Endomorph Out 2 Offset Right Complete	1		

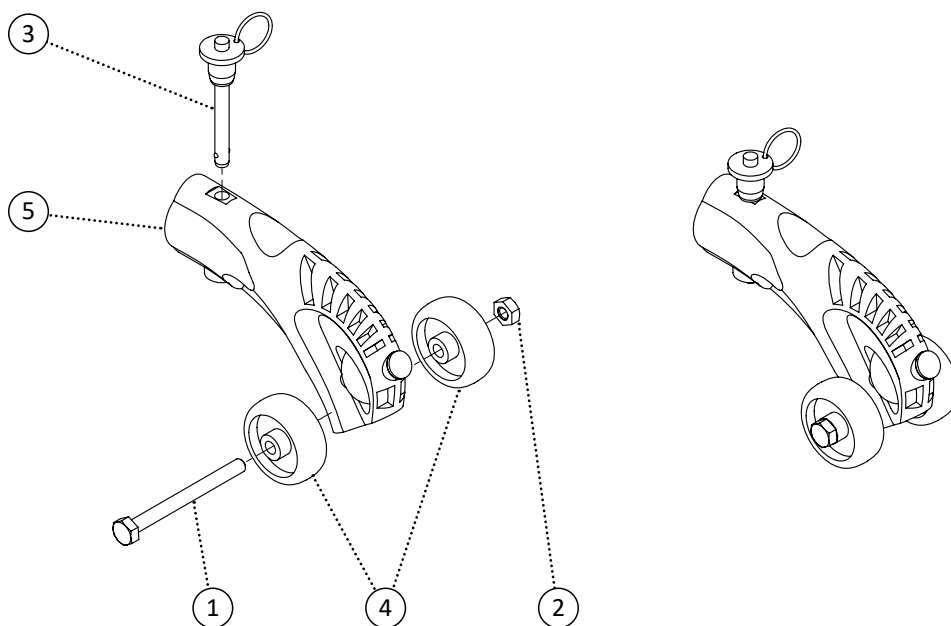


Item	REF Number	Description	Quantity	MSRP	Notes
1	549329	Screw, Hex Bolt 1/4-20 x 1-1/4	2		
2	548859	Nut, Nylon Lock Nut 1/4-20	2		
3	549414	Washer, Curved Washer 1/4 ID. x 1/2 OD. x .037thk	2		
4	548891	Pin, Spreader Bar Pin	1		
5	548972	PPM, Backpost Single Receiver	1		
6	548987	PPM, Backpost Spreader Bar Regular Length	1		
7	548988	PPM, Backpost Spreader Bar Short Length	1		
8	548977	PPM, Backpost Spreader Bar Endomorph In 1/2 Offset Left	1		
9	548978	PPM, Backpost Spreader Bar Endomorph In 1/2 Offset Right	1		
10	548975	PPM, Backpost Spreader Bar Endomorph In 1 Offset Left	1		
11	548976	PPM, Backpost Spreader Bar Endomorph In 1 Offset Right	1		
12	548979	PPM, Backpost Spreader Bar Endomorph In 2 Offset Left	1		
13	548980	PPM, Backpost Spreader Bar Endomorph In 2 Offset Right	1		
14	548983	PPM, Backpost Spreader Bar Endomorph Out 1/2 Offset Left	1		
15	548984	PPM, Backpost Spreader Bar Endomorph Out 1/2 Offset Right	1		
16	548981	PPM, Backpost Spreader Bar Endomorph Out 1 Offset Left	1		
17	548982	PPM, Backpost Spreader Bar Endomorph Out 1 Offset Right	1		
18	548985	PPM, Backpost Spreader Bar Endomorph Out 2 Offset Left	1		
19	548986	PPM, Backpost Spreader Bar Endomorph Out 2 Offset Right	1		

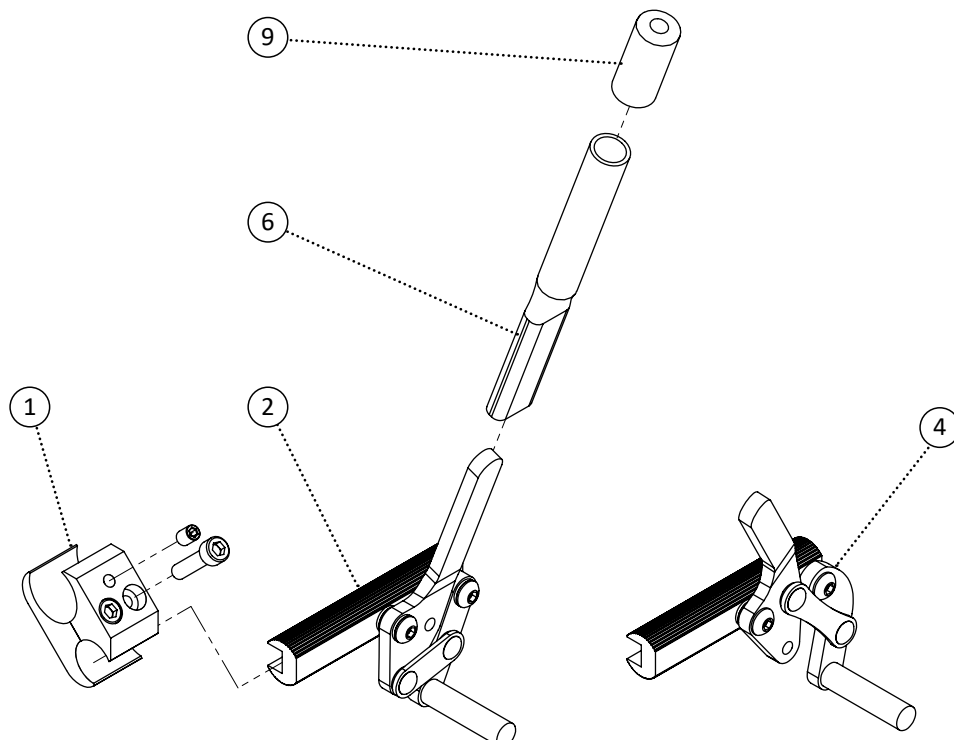
Item	REF Number	Description	Quantity	MSRP	Notes
20	549073	PPM, Folding Spreader Bar 16	1		
21	549074	PPM, Folding Spreader Bar 18	1		
22	549075	PPM, Folding Spreader Bar 20	1		
23	549076	PPM, Folding Spreader Bar 22	1		
24	549077	PPM, Folding Spreader Bar 24	1		
1-4,5	548678	Kit, Backpost Spreader Bar Receiver Complete	1		
1-4,6	548679	Kit, Backpost Spreader Bar Regular Length Complete	1		
1-4,7	548680	Kit, Backpost Spreader Bar Short Length Complete	1		
1-4,8	548668	Kit, Backpost Spreader Bar Endomorph In 1/2 Offset Left Complete	1		
1-4,9	548669	Kit, Backpost Spreader Bar Endomorph In 1/2 Offset Right Complete	1		
1-4,10	548666	Kit, Backpost Spreader Bar Endomorph In 1 Offset Left Complete	1		
1-4,11	548667	Kit, Backpost Spreader Bar Endomorph In 1 Offset Right Complete	1		
1-4,12	548670	Kit, Backpost Spreader Bar Endomorph In 2 Offset Left Complete	1		
1-4,13	548671	Kit, Backpost Spreader Bar Endomorph In 2 Offset Right Complete	1		
1-4,14	548674	Kit, Backpost Spreader Bar Endomorph Out 1/2 Offset Left Complete	1		
1-4,15	548675	Kit, Backpost Spreader Bar Endomorph Out 1/2 Offset Right Complete	1		
1-4,16	548672	Kit, Backpost Spreader Bar Endomorph Out 1 Offset Left Complete	1		
1-4,17	548673	Kit, Backpost Spreader Bar Endomorph Out 1 Offset Right Complete	1		
1-4,18	548676	Kit, Backpost Spreader Bar Endomorph Out 2 Offset Left Complete	1		
1-4,19	548677	Kit, Backpost Spreader Bar Endomorph Out 2 Offset Right Complete	1		



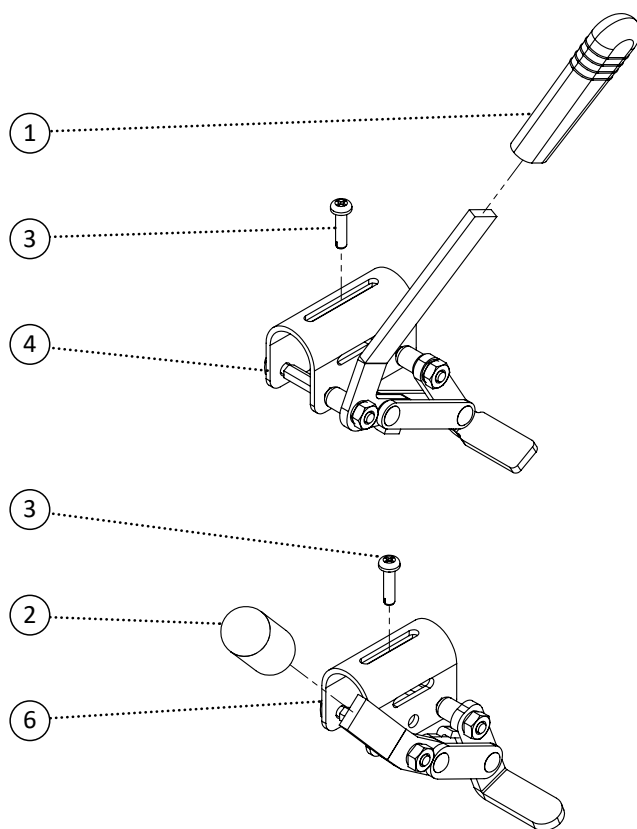
Item	REF Number	Description	Quantity	MSRP	Notes
1	548929	PPM, Anti-Tipper Extension	1		
2	548404	Block, Anti-Tipper Block	1		
3	548497	Cap, Round Plug 3/4	1		
4	549317	Roller, Anti-Tipper Roller 1-5/8	2		
5	549333	Screw, Hex Bolt 1/4-20 x 2-1/2	1		
6	548859	Nut, Nylon Lock Nut 1/4-20	1		
1-6	548552	Kit, Adjustable Anti-Tipper Complete Kit	1		



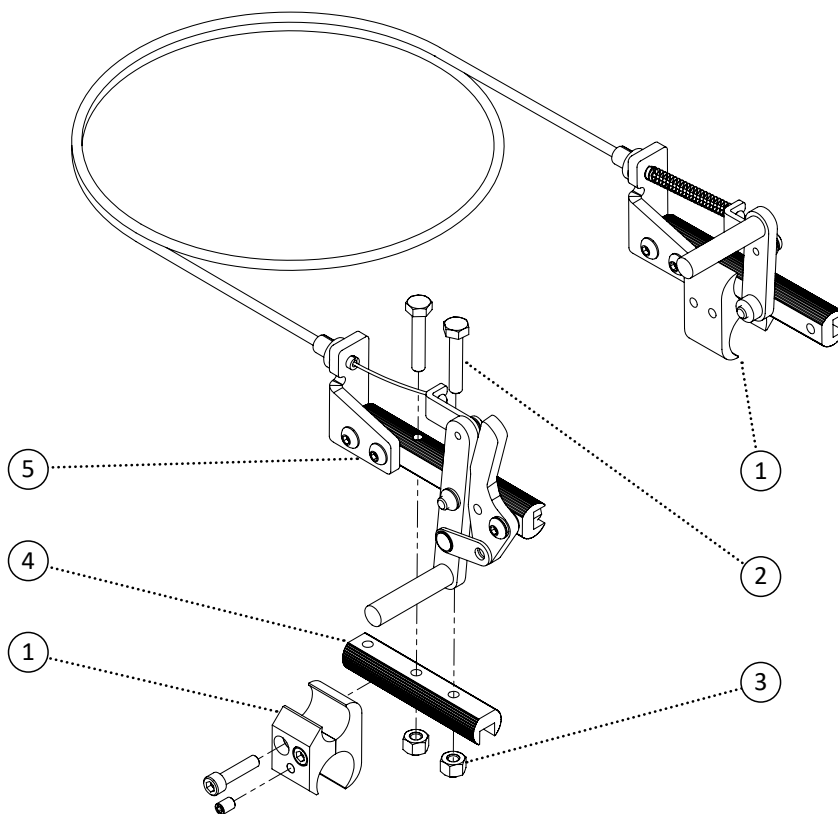
Item	REF Number	Description	Quantity	MSRP	Notes
1	549333	Screw, Hex Bolt 1/4-20 x 2-1/2	1		
2	548859	Nut, Nylon Lock Nut 1/4-20	1		
3	548883	Pin, Detachable Pin	1		
4	549317	Roller, Anti-Tipper Roller 1-5/8	2		
5	548404	Block, Anti-Tipper Block	1		
1-5	548786	Kit, Short Anti-Tipper Complete Kit	1		



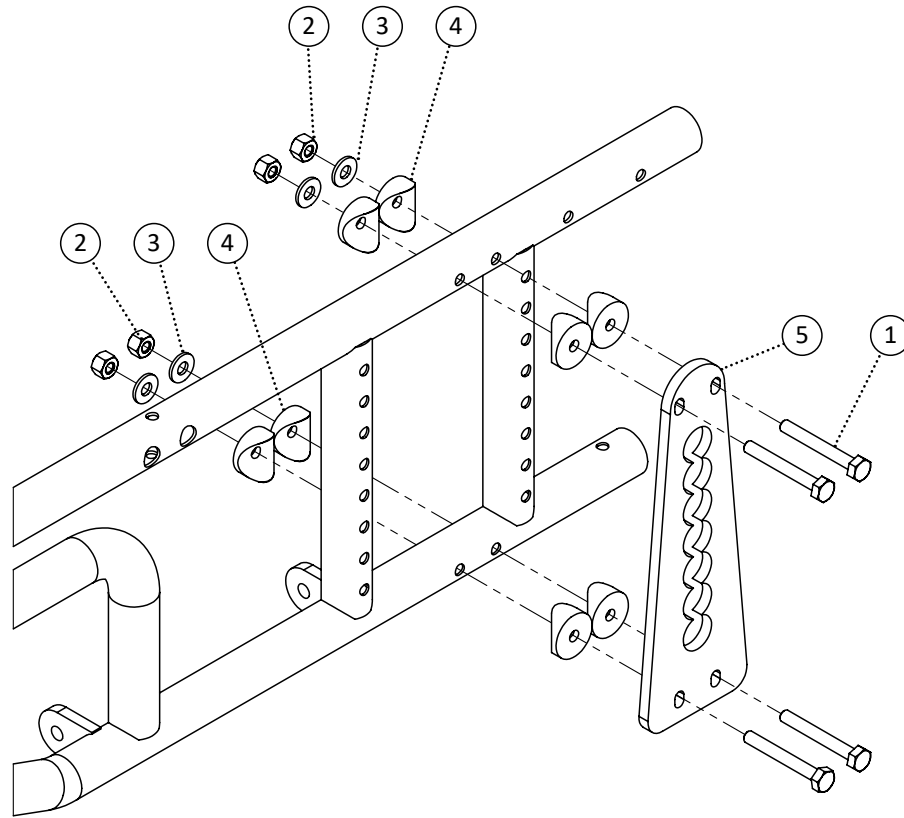
Item	REF Number	Description	Quantity	MSRP	Notes
1	548505	Clamp, Aluminum Brake Clamp	1		
2	548448	Brake, Aluminum Push Wheel Lock Left	1		
3	548449	Brake, Aluminum Push Wheel Lock Right	1		
4	548446	Brake, Aluminum Pull Wheel Lock Left	1		
5	548447	Brake, Aluminum Pull Wheel Lock Right	1		
6	548989	PPM, Brake Extension 4	1		
7	548990	PPM, Brake Extension 6	1		
8	548991	PPM, Brake Extension 9	1		
9	548487	Cap, Brake Extension Cap Red	1		
10	548485	Cap, Brake Extension Cap Blue	1		
1,7,10,2	548581	Kit, Aluminum Push Wheel Lock Left Complete Kit	1		
1,7,10,3	548582	Kit, Aluminum Push Wheel Lock Right Complete Kit	1		
1,7,10,4	548579	Kit, Aluminum Pull Wheel Lock Left Complete Kit	1		
1,7,10,5	548580	Kit, Aluminum Pull Wheel Lock Right Complete Kit	1		



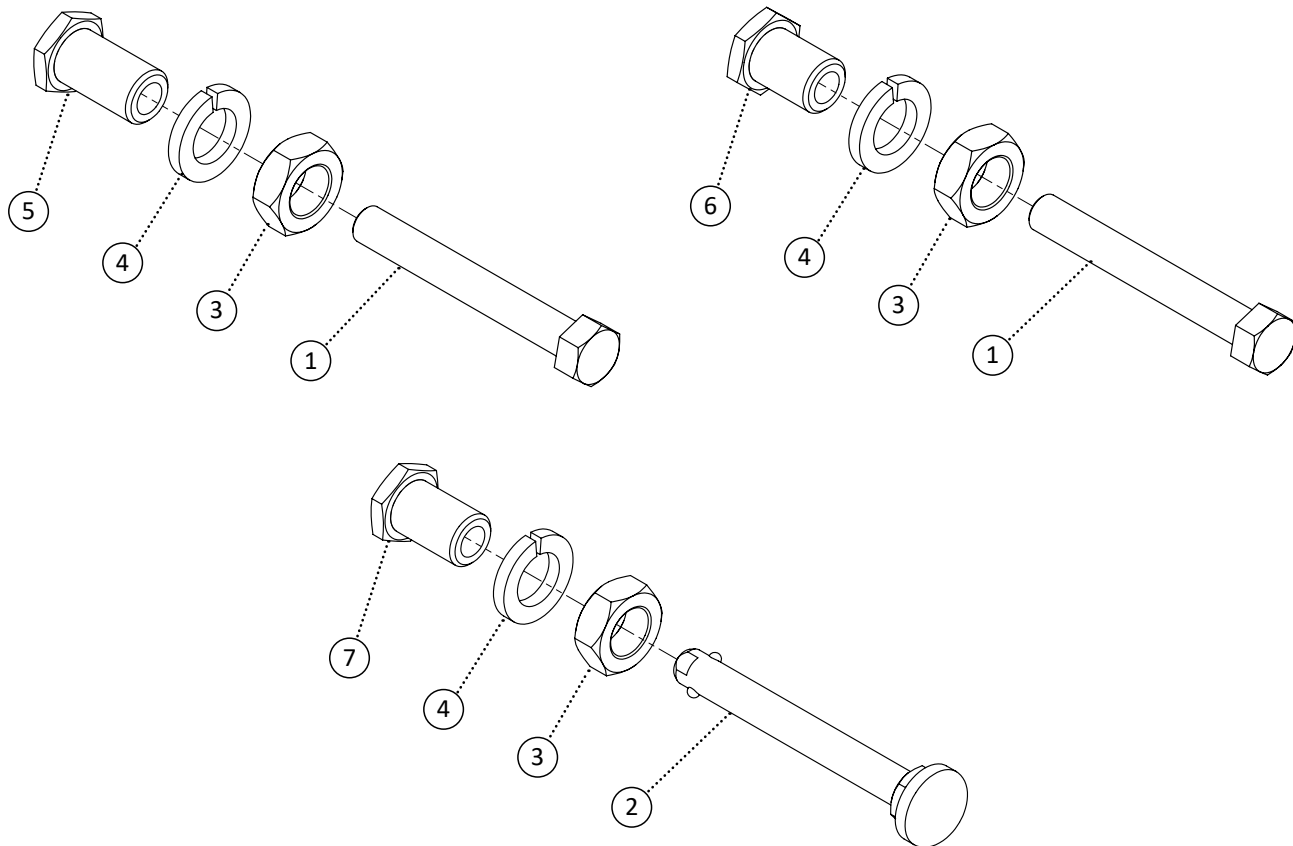
Item	REF Number	Description	Quantity	MSRP	Notes
1	548486	Cap, Brake Extension Cap Grey	1		
2	548484	Cap, Brake Extension Cap Black	1		
3	549380	Screw, Tapping M5-0.8 x 20	1		
4	548452	Brake, Steel Pull Wheel Lock Left	1		
5	548453	Brake, Steel Pull Wheel Lock Right	1		
6	548454	Brake, Steel Push Wheel Lock Left	1		
7	548455	Brake, Steel Push Wheel Lock Right	1		
1,3,4	548820	Kit, Steel Pull Wheel Lock Left Complete Kit	1		
1,3,5	548821	Kit, Steel Pull Wheel Lock Right Complete Kit	1		
1,3,6	548822	Kit, Steel Push Wheel Lock Left Complete Kit	1		
1,3,7	548823	Kit, Steel Push Wheel Lock Right Complete Kit	1		



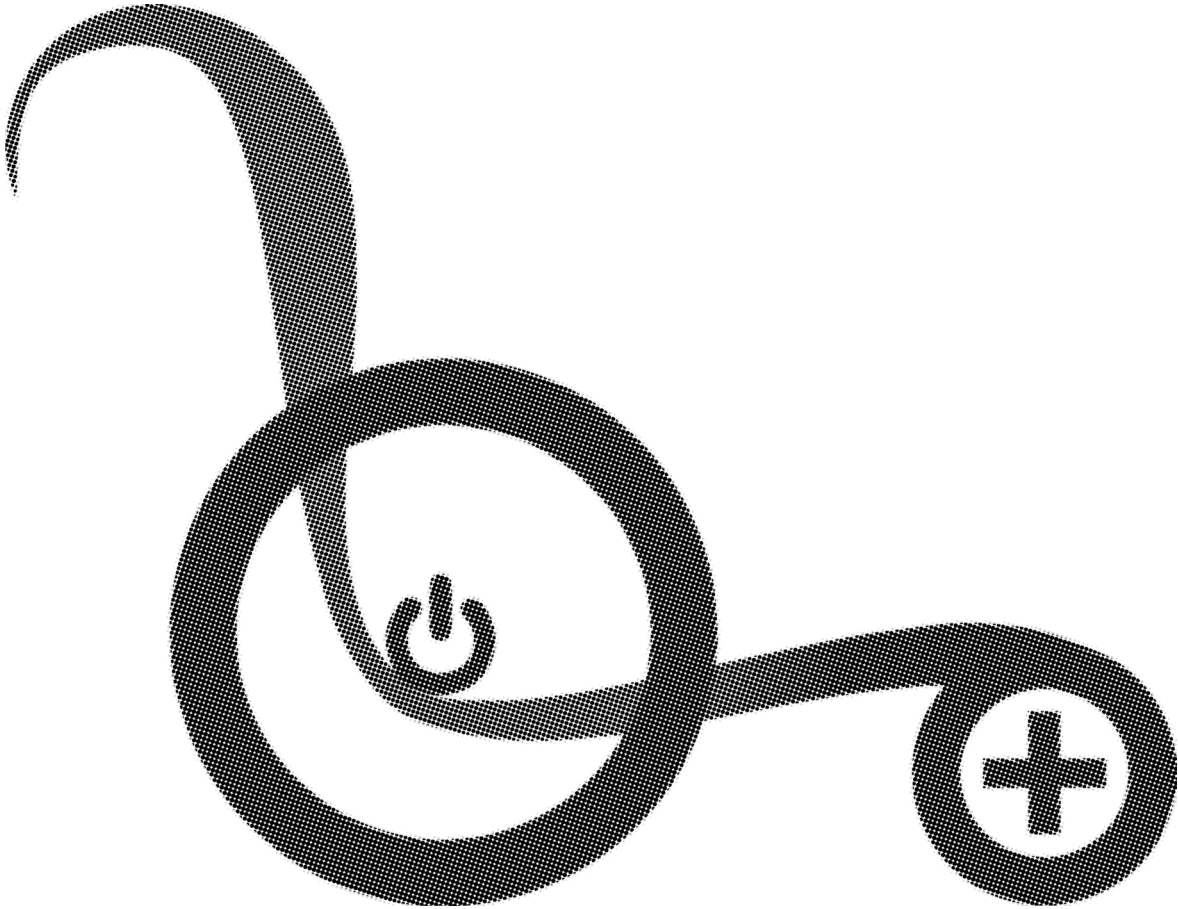
Item	REF Number	Description	Quantity	MSRP	Notes
1	548505	Clamp, Aluminum Brake Clamp	2		
2	549336	Screw, Hex Bolt 1/4-20 x 3/8	2		
3	548859	Nut, Nylon Lock Nut 1/4-20	2		
4	548450	Brake, Aluminum Wheel Lock Bracket	1		
5	549985	Brake, One Handed Brake Set Left	1		
6	549986	Brake, One Handed Brake Set Right	1		
1-4,5	549987	Kit, One Handed Brakes Tilt Left Complete Kit	1		
1-4,6	549988	Kit, One Handed Brakes Tilt Right Complete Kit	1		
1,5	549989	Kit, One Handed Brakes Folding Left Complete Kit	1		
1,6	549990	Kit, One Handed Brakes Folding Right Complete Kit	1		

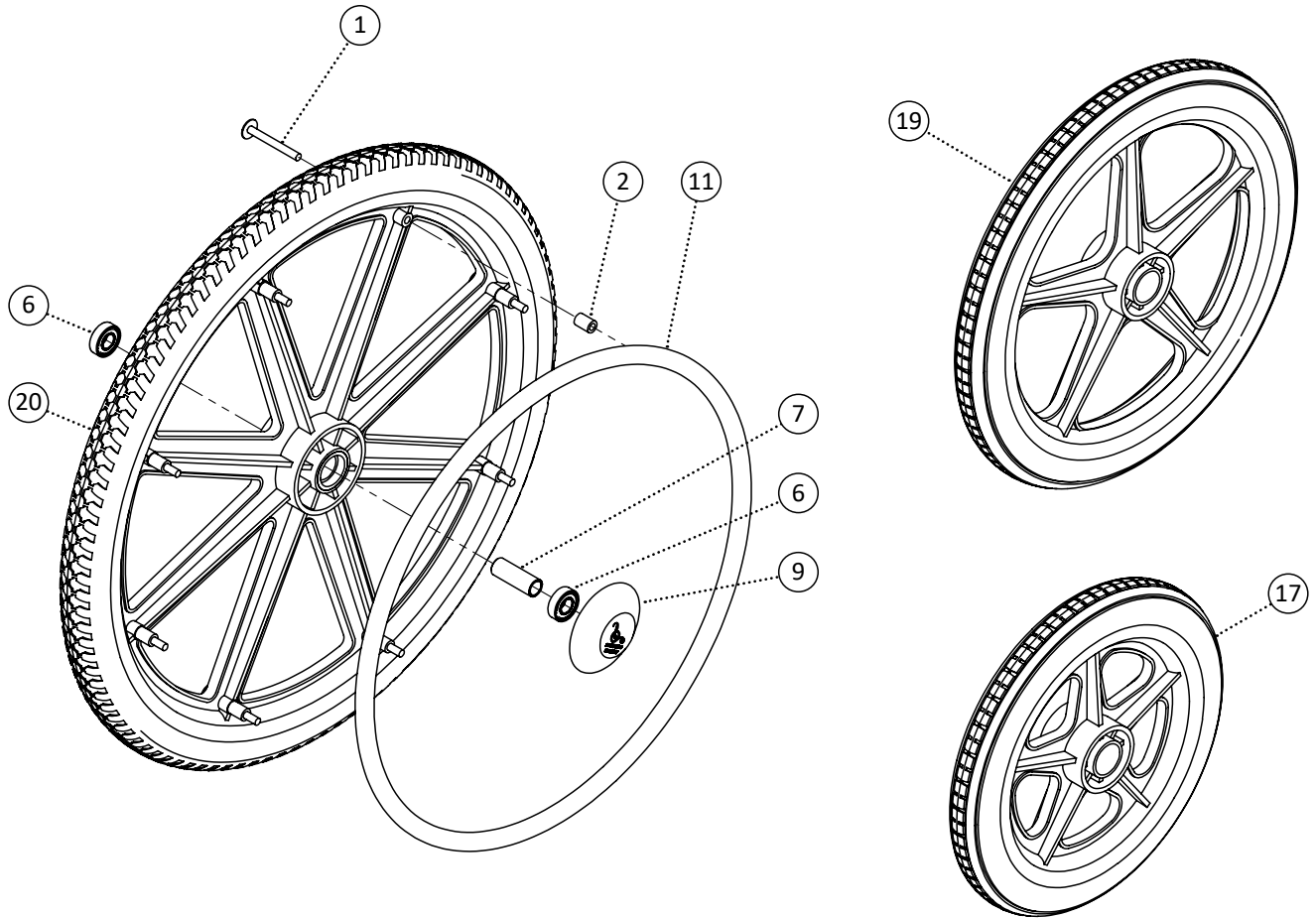


Item	REF Number	Description	Quantity	MSRP	Notes
1	549331	Screw, Hex Bolt 1/4-20 x 2	4		
2	548859	Nut, Nylon Lock Nut 1/4-20	4		
3	549423	Washer, Flat Washer 1/4 ID. x 5/8 OD.	4		
4	549433	Washer, Radius Washer 1/4 ID. x 1 OD. x 1cu	8		
5	548445	Bracket, Vertical Axle Plate	1		
1-5	548747	Kit, Magic Plus Axle Plate Complete	1		



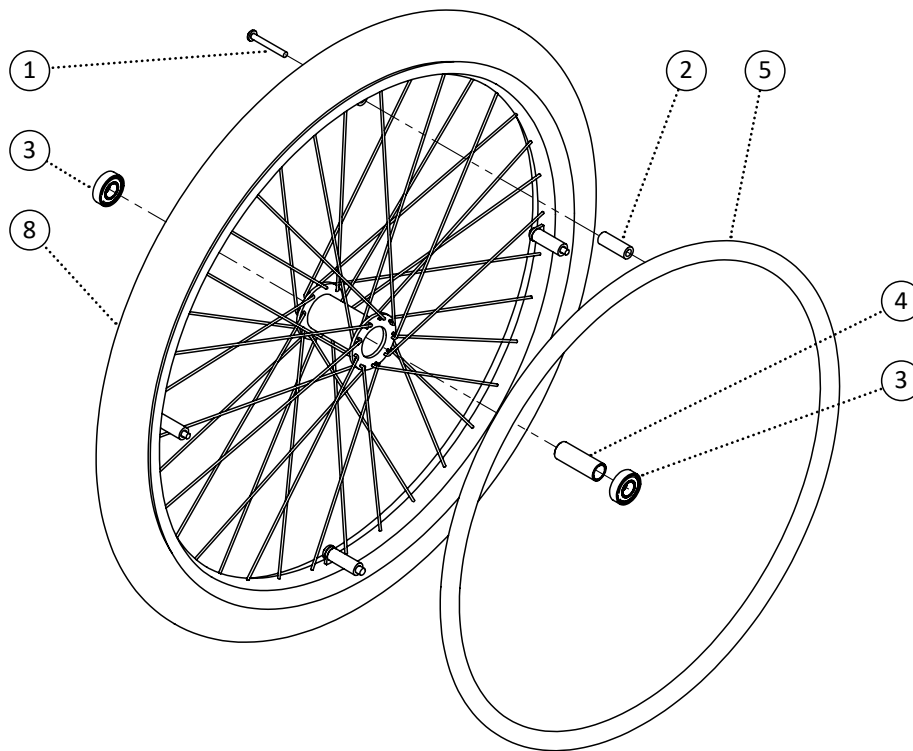
Item	REF Number	Description	Quantity	MSRP	Notes
1	548396	Axle, Bolt 1/2-20 x 3-3/4	1		
2	548397	Axle, Quick Release	1		
3	548854	Nut, Jam Nut 3/4-16	1		
4	549427	Washer, Lock Washer 3/4	1		
5	548393	Axle, Axle Receiver Bolted Long	1		
6	548394	Axle, Axle Receiver Bolted Short	1		
7	548395	Axle, Axle Receiver Quick Release	1		
1,3,4,5	548627	Kit, Axle Bolted Long	1		
1,3,4,6	548628	Kit, Axle Bolted Short	1		
2,3,4,7	548629	Kit, Axle Quick Release	1		



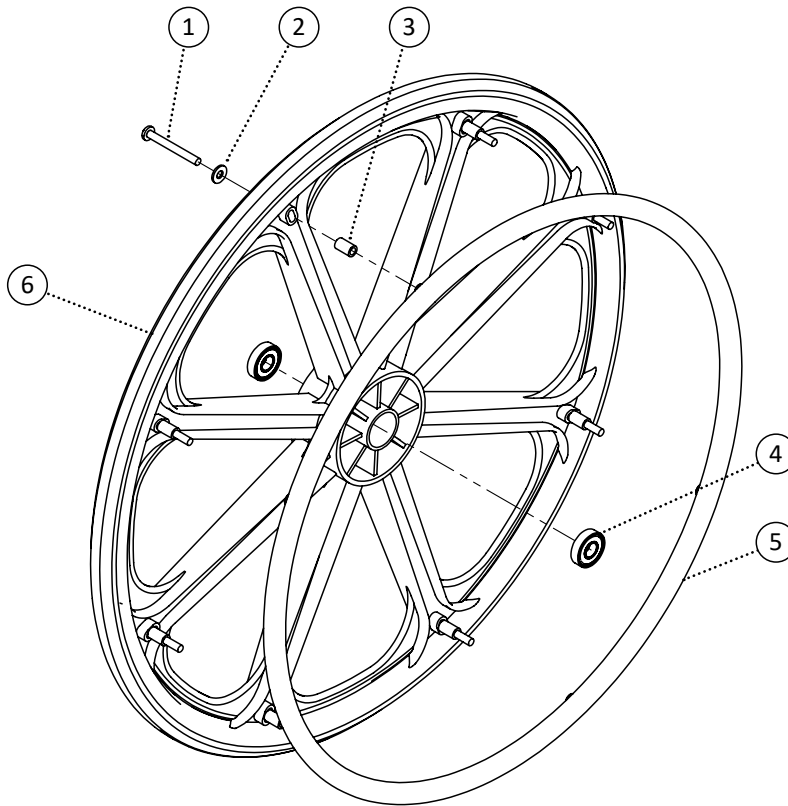


Item	REF Number	Description	Quantity	MSRP	Notes
1	549502	Screw, Pan Washer Head 1/4-20 x 2-1/4	8		
2	548467	Spacer, Nylon Spacer 1/4 ID x 7/16 OD. x .630thk	8		
3	549503	Screw, Pan Head 1/4-20 x 2	8		
4	549423	Washer, Flat Washer 1/4 ID. x 5/8 OD.	8		
5	549504	Spacer, Nylon Spacer 1/4 ID. x 7/16 OD. x .312thk	8		
6	548399	Ball Bearing, Ball Bearing 1/2	2		
7	548457	Bushing, Aluminum Wheel Bushing 1/2	1		
8	550002	Bushing, Aluminum Wheel Bushing Recessed 1/2	1		
9	549505	Cap, Wheel Hub Cap	1		
10	549506	Cap, Wheel Hub Cap Quick Release	1		
11	548547	Handrim, 20 Handrim Chrome Coated	1		
12	548550	Handrim, 22 Handrim Chrome Coated	1		
13	548553	Handrim, 24 Handrim Chrome Coated	1		
14	548548	Handrim, 20 Handrim Plastic Coated	1		
15	548551	Handrim, 22 Handrim Plastic Coated	1		
16	548554	Handrim, 24 Handrim Plastic Coated	1		
17	549507	Wheel, 12 Composite Wheel Smooth	1		
18	549508	Wheel, 12 Composite Wheel Regular	1		
19	549509	Wheel, 16 Composite Wheel Regular	1		

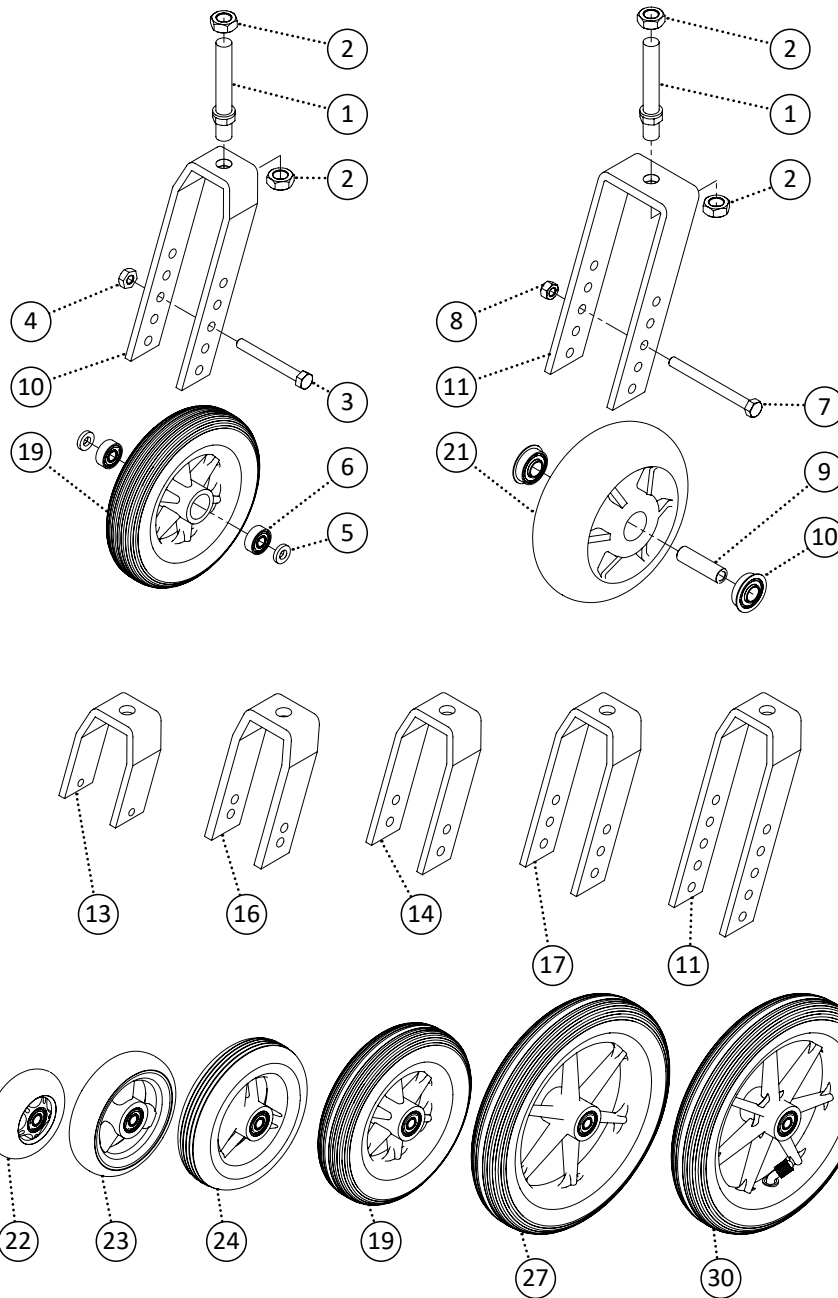
Item	REF Number	Description	Quantity	MSRP	Notes
20	549510	Wheel, 20 Composite Wheel Regular	1		
21	549511	Wheel, 22 Composite Wheel Regular	1		
22	549512	Wheel, 24 Composite Wheel Regular	1		
23	549513	Wheel, 20 Composite Wheel Pneumatic	1		
24	549514	Wheel, 22 Composite Wheel Pneumatic	1		
25	549515	Wheel, 24 Composite Wheel Pneumatic	1		
26	549999	Wheel, 20 Composite Wheel Recessed	1		
27	550000	Wheel, 22 Composite Wheel Recessed	1		
28	550001	Wheel, 24 Composite Wheel Recessed	1		
29	549516	Tire, 20 Wheel Pneumatic	1		
30	549517	Tire, 22 Wheel Pneumatic	1		
31	549518	Tire, 24 Wheel Pneumatic	1		
1,2,6,7,15	549519	Kit, 12 Composite Wheel Left Smooth Kit	1		
1,2,6,7,15	549520	Kit, 12 Composite Wheel Right Smooth Kit	1		
1,2,6,7,16	549521	Kit, 12 Composite Wheel Left Rough Kit	1		
1,2,6,7,16	549522	Kit, 12 Composite Wheel Right Rough Kit	1		
1,2,6,7,17	549523	Kit, 16 Composite Wheel Left Regular Kit	1		
1,2,6,7,17	549524	Kit, 16 Composite Wheel Right Regular Kit	1		
1,2,6,7,9,11,20	549525	Kit, 20 Composite Wheel Left Regular Kit	1		
1,2,6,7,9,11,20	549526	Kit, 20 Composite Wheel Right Regular Kit	1		
1,2,6,7,9,12,21	549527	Kit, 22 Composite Wheel Left Regular Kit	1		
1,2,6,7,9,12,21	549528	Kit, 22 Composite Wheel Right Regular Kit	1		
1,2,6,7,9,13,22	549529	Kit, 24 Composite Wheel Left Regular Kit	1		
1,2,6,7,9,13,22	549530	Kit, 24 Composite Wheel Right Regular Kit	1		
1,2,6,7,9,14,20,23	549531	Kit, 20 Composite Wheel Left Pneumatic Kit	1		
1,2,6,7,9,14,20,23	549532	Kit, 20 Composite Wheel Right Pneumatic Kit	1		
1,2,6,7,9,15,21,24	549533	Kit, 22 Composite Wheel Left Pneumatic Kit	1		
1,2,6,7,9,15,21,24	549534	Kit, 22 Composite Wheel Right Pneumatic Kit	1		
1,2,6,7,9,16,22,25	549535	Kit, 24 Composite Wheel Left Pneumatic Kit	1		
1,2,6,7,9,16,22,25	549536	Kit, 24 Composite Wheel Right Pneumatic Kit	1		
1,2,6,8,9,16,26	550003	Kit, 20 Composite Wheel Left Recessed Kit	1		
1,2,6,8,9,16,26	550004	Kit, 20 Composite Wheel Right Recessed Kit	1		
1,2,6,8,9,16,27	550005	Kit, 22 Composite Wheel Left Recessed Kit	1		
1,2,6,8,9,16,27	550006	Kit, 22 Composite Wheel Right Recessed Kit	1		
1,2,6,8,9,16,28	550007	Kit, 24 Composite Wheel Left Recessed Kit	1		
1,2,6,8,9,16,28	550008	Kit, 24 Composite Wheel Right Recessed Kit	1		



Item	REF Number	Description	Quantity	MSRP	Notes
1	549502	Screw, Pan Washer Head 1/4-20 x 2-1/4	4		
2	549537	Bushing, Aluminum Handrim Bushing 1/4 ID.	4		
3	548399	Ball Bearing, Ball Bearing 1/2	2		
4	548457	Bushing, Aluminum Wheel Bushing 1/2	1		
5	549538	Handrim, 20 Handrim Aluminum Coated	1		
6	549539	Handrim, 22 Handrim Aluminum Coated	1		
7	549540	Handrim, 24 Handrim Aluminum Coated	1		
8	549541	Wheel, 20 Spoke Wheel Regular	1		
9	549542	Wheel, 22 Spoke Wheel Regular	1		
10	549543	Wheel, 24 Spoke Wheel Regular	1		
1-4,5,8	549544	Kit, 20 Spoke Wheel Left Regular Kit	1		
1-4,5,8	549545	Kit, 20 Spoke Wheel Right Regular Kit	1		
1-4,6,9	549546	Kit, 22 Spoke Wheel Left Regular Kit	1		
1-4,6,9	549547	Kit, 22 Spoke Wheel Right Regular Kit	1		
1-4,7,10	549548	Kit, 24 Spoke Wheel Left Regular Kit	1		
1-4,7,10	549549	Kit, 24 Spoke Wheel Right Regular Kit	1		

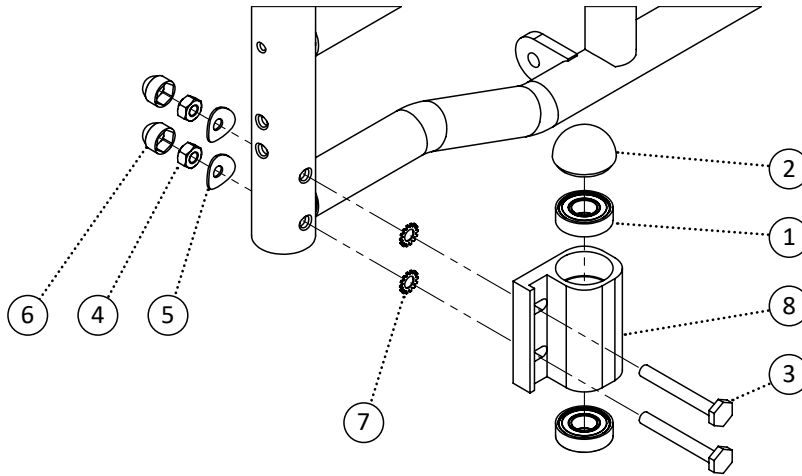


Item	REF Number	Description	Quantity	MSRP	Notes
1	549350	Screw, Pan Head 1/4-20 x 2-1/4	8		
2	549423	Washer, Flat Washer 1/4 ID. x 5/8 OD.	8		
3	549550	Spacer, 1/4 ID. x 3/8 OD. x .630thk	8		
4	548399	Ball Bearing, Ball Bearing 1/2	2		
5	549551	Handrim, 24 Handrim Heavy Duty	1		
6	549552	Wheel, 24 Composite Wheel Heavy Duty	1		
1-6	549553	Kit, 24 Composite Wheel Heavy Duty Left Kit	1		
1-6	549554	Kit, 24 Composite Wheel Heavy Duty Right Kit	1		

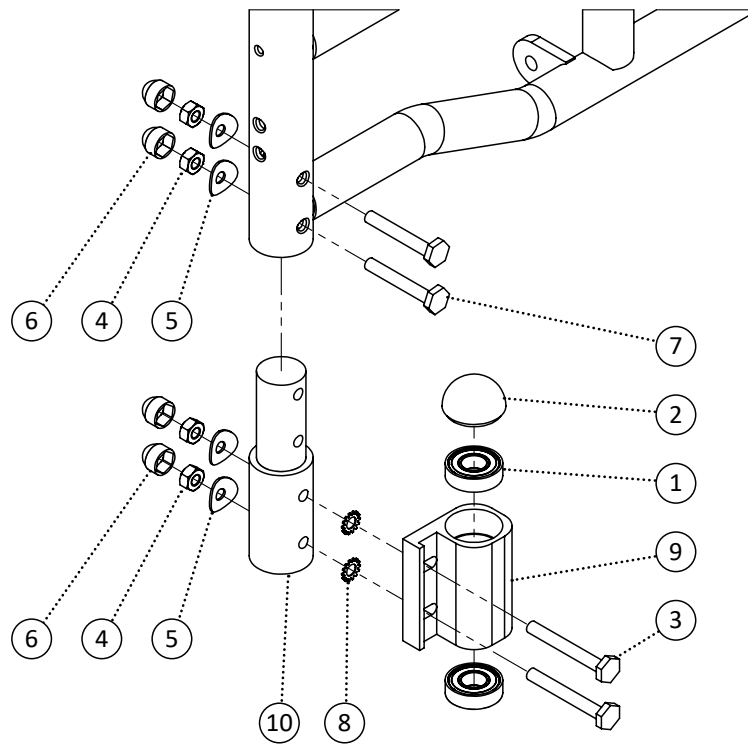


Item	REF Number	Description	Quantity	MSRP	Notes
1	549322	Screw, Double Sided Screw 1/2-20 x 3-5/8	1		
2	548857	Nut, Lock Nut 1/2-20	1		
3	549342	Screw, Hex Bolt 5/16-18 x 2-3/4	1		
4	548875	Nut, Nylon Lock Nut Thin 5/16-18	1		
5	549389	Spacer, Nylon Spacer 5/16 ID. x .6 OD x .12thk (wht)	2		
6	548401	Ball Bearing, Caster Wheel	2		
7	549343	Screw, Hex Bolt 5/16-18 x 3-1/2	1		
8	548862	Nut, Nylon Lock Nut 5/16-18	1		
9	548466	Bushing, Heavy Duty Caster Bushing	1		
10	548402	Ball Bearing, Caster Wheel Heavy Duty	2		

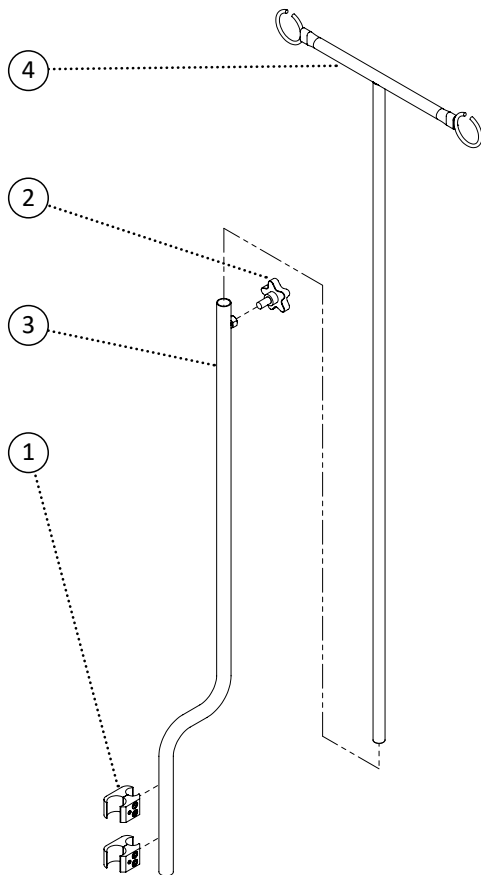
Item	REF Number	Description	Quantity	MSRP	Notes
11	548425	Bracket, Caster Fork 5-Hole Aluminum	1		
12	548426	Bracket, Caster Fork 5-Hole Steel	1		
13	548419	Bracket, Caster Fork 1-Hole Short	1		
14	548420	Bracket, Caster Fork 2-Hole Aluminum	1		
15	548422	Bracket, Caster Fork 2-Hole Steel	1		
16	548421	Bracket, Caster Fork 2-Hole Narrow Aluminum	1		
17	548423	Bracket, Caster Fork 3-Hole Aluminum	1		
18	548424	Bracket, Caster Fork 3-Hole Steel	1		
19	549476	Wheel, 6 x 1.25 Caster	1		
20	549477	Wheel, 6 x 1.75 Caster	1		
21	549478	Wheel, 6 x 2 Caster	1		
22	549471	Wheel, 3 Caster	1		
23	549472	Wheel, 4 Caster	1		
24	549473	Wheel, 5 x 1.25 Caster	1		
25	549474	Wheel, 5 x 1.75 Caster	1		
26	549475	Wheel, 5 x 2 Caster	1		
27	549480	Wheel, 8 x 1.25 Caster Polyurethane	1		
28	549481	Wheel, 8 x 1.75 Caster Polyurethane	1		
29	549482	Wheel, 8 x 2 Caster Polyurethane	1		
30	549479	Wheel, 8 x 1.25 Caster Pneumatic	1		
1-4,11	548689	Kit, Caster Fork 5-Hole Aluminum Complete	1		
1,2,7,8,12	548690	Kit, Caster Fork 5-Hole Steel Complete	1		
1-4,13	548683	Kit, Caster Fork 1-Hole Short Complete	1		
1-4,14	548684	Kit, Caster Fork 2-Hole Aluminum Complete	1		
1,2,7,8,15	548686	Kit, Caster Fork 2-Hole Steel Complete	1		
1-4,16	548685	Kit, Caster Fork 2-Hole Narrow Aluminum Complete	1		
1-4,17	548687	Kit, Caster Fork 3-Hole Aluminum Complete	1		
1,2,7,8,18	548688	Kit, Caster Fork 3-Hole Steel Complete	1		
3-6,19	548571	Kit, 6 x 1.25 Caster Complete	1		
3-6,20	548572	Kit, 6 x 1.75 Caster Complete	1		
7-10,21	548573	Kit, 6 x 2 Caster Complete	1		
3-6,22	548566	Kit, 3 Caster Complete	1		
3-6,23	548567	Kit, 4 Caster Complete	1		
3-6,24	548568	Kit, 5 x 1.25 Caster Complete	1		
3-6,25	548569	Kit, 5 x 1.75 Caster Complete	1		
7-10,26	548570	Kit, 5 x 2 Caster Complete	1		
3-6,27	548575	Kit, 8 x 1.25 Caster Polyurethane Complete	1		
3-6,28	548576	Kit, 8 x 1.75 Caster Polyurethane Complete	1		
7-10,29	548577	Kit, 8 x 2 Caster Polyurethane Complete	1		
3-6,30	548574	Kit, 8 x 1.25 Caster Pneumatic Complete	1		



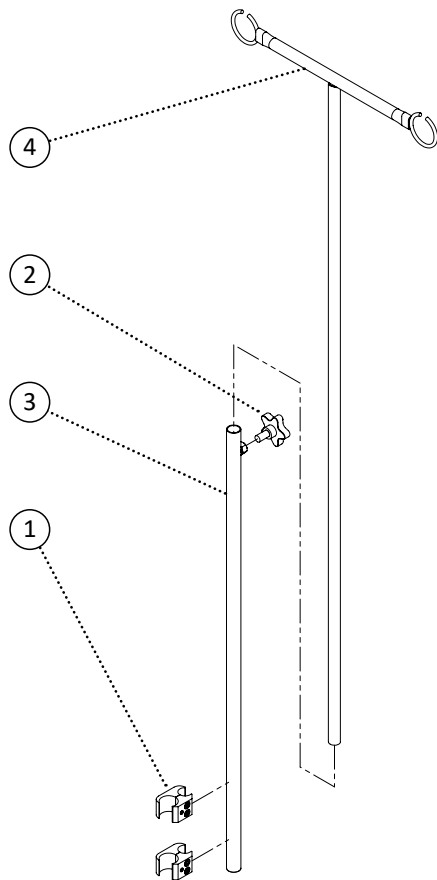
Item	REF Number	Description	Quantity	MSRP	Notes
1	548400	Ball Bearing, Caster Mount	2		
2	548490	Cap, Caster Mount Cap	1		
3	549347	Screw, Offset Bolt 1/4-28 x 2	2		
4	548861	Nut, Nylon Lock Nut 1/4-28	2		
5	549416	Washer, Curved Washer 1/4 ID. x 3/4 OD. x .04thk	2		
6	548480	Cap, 1/4 Nut Cap	2		
7	549417	Washer, External Tooth Lock 1/4	2		
8	548427	Bracket, Caster Mount	1		
1-8	548681	Kit, Caster Journal Housing Complete (Folding Chair)	1		



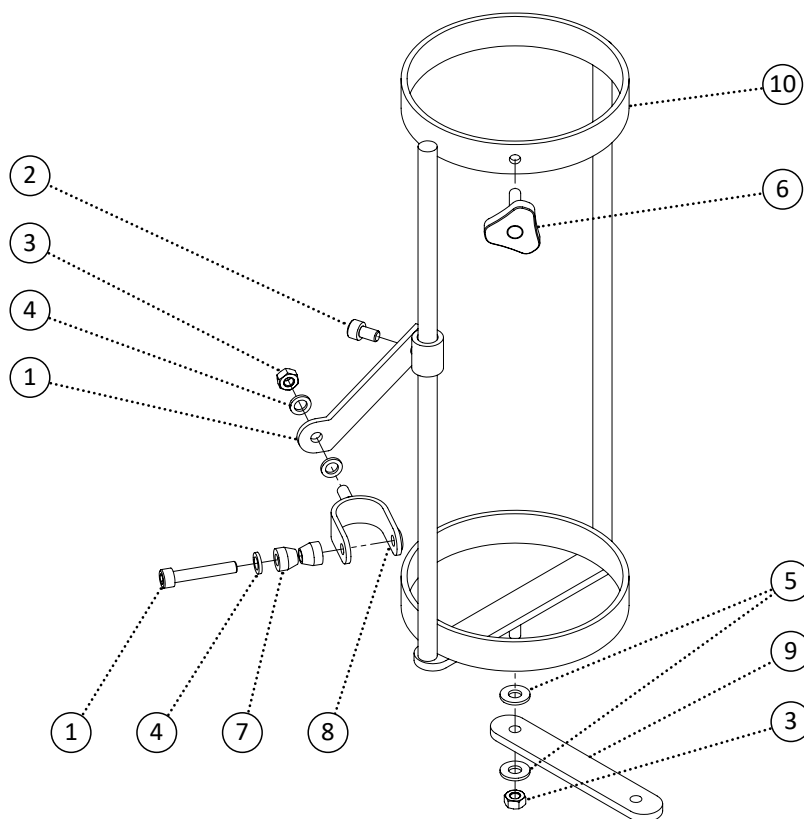
Item	REF Number	Description	Quantity	MSRP	Notes
1	548400	Ball Bearing, Caster Mount	2		
2	548490	Cap, Caster Mount Cap	1		
3	549347	Screw, Offset Bolt 1/4-28 x 2	2		
4	548861	Nut, Nylon Lock Nut 1/4-28	4		
5	549416	Washer, Curved Washer 1/4 ID. x 3/4 OD. x .04thk	4		
6	548480	Cap, 1/4 Nut Cap	4		
7	549346	Screw, Offset Bolt 1/4-28 x 1-3/4	2		
8	549417	Washer, External Tooth Lock 1/4	2		
9	548427	Bracket, Caster Mount	1		
10	548992	PPM, Caster Extension (Folding Chair)	1		
1-9	548682	Kit, Caster Extension Complete (Folding Chair)	1		



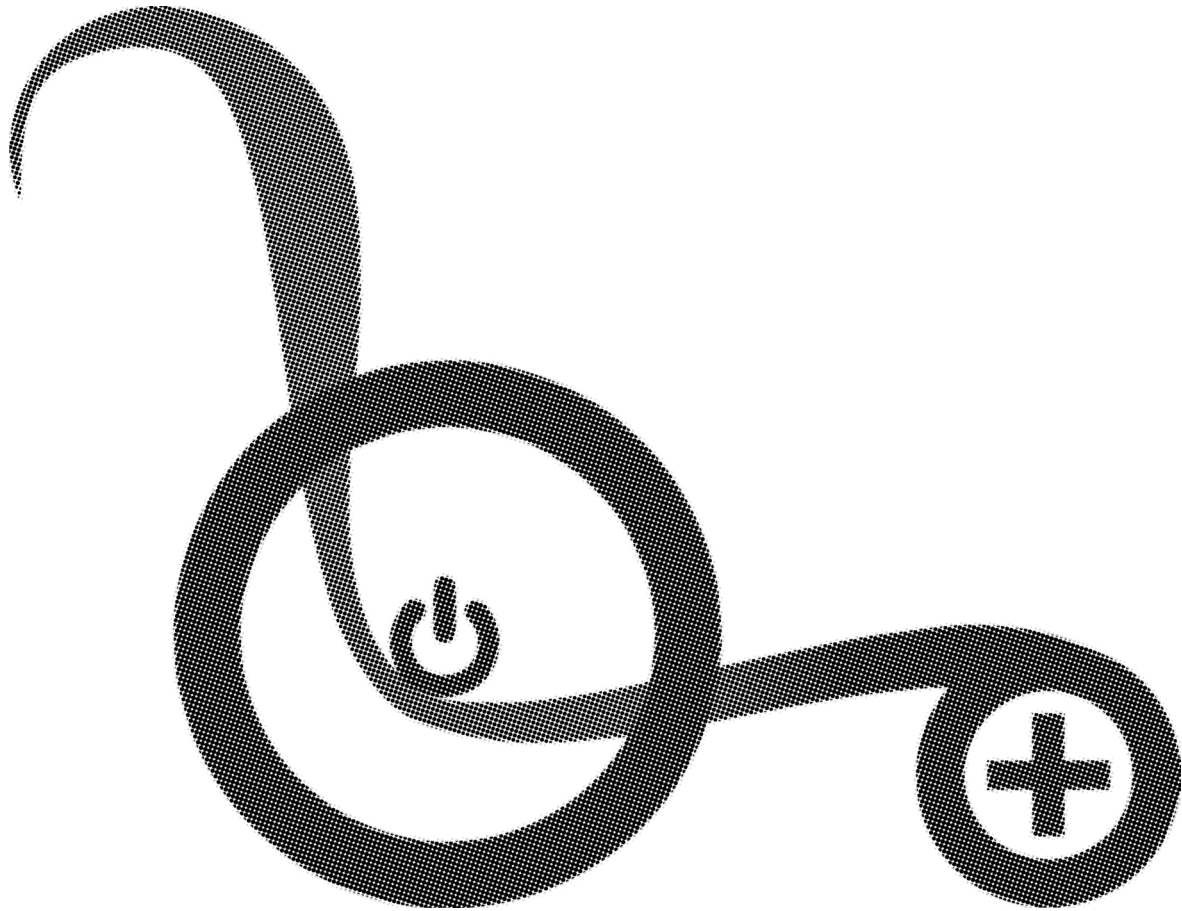
Item	REF Number	Description	Quantity	MSRP	Notes
1	548505	Clamp, Aluminum Brake Clamp	2		
2	548842	Knob, 5-Prong 3/8-16 x 3/4	1		
3	549107	PPM, I.V. Pole Offset Receiver	1		
4	549106	PPM, I.V. Pole Extension	1		
1-4	548742	Kit, I.V. Pole Offset Complete	1		

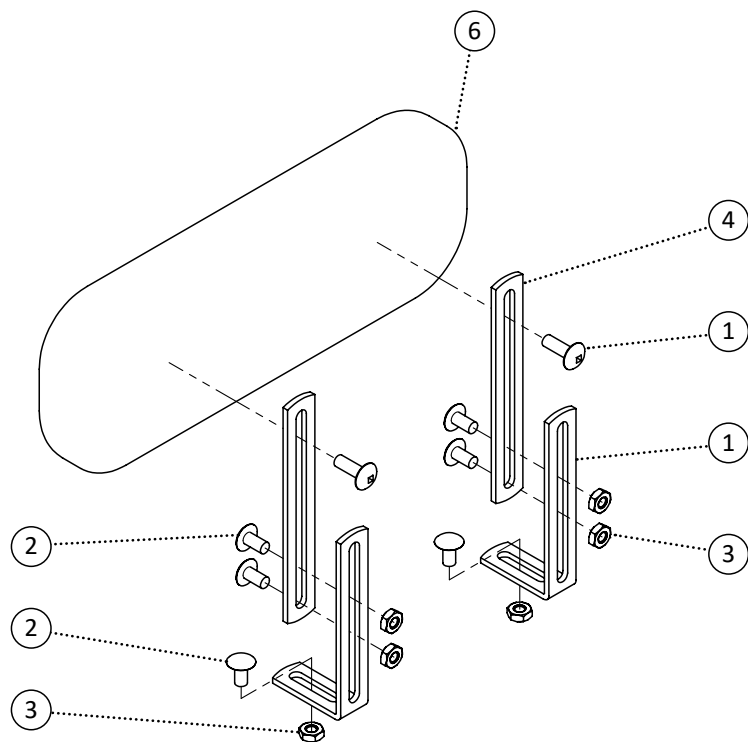


Item	REF Number	Description	Quantity	MSRP	Notes
1	548505	Clamp, Aluminum Brake Clamp	2		
2	548842	Knob, 5-Prong 3/8-16 x 3/4	1		
3	549108	PPM, I.V. Straight Pole Receiver	1		
4	549106	PPM, I.V. Pole Extension	1		
1-4	548743	Kit, I.V. Pole Straight Complete	1		

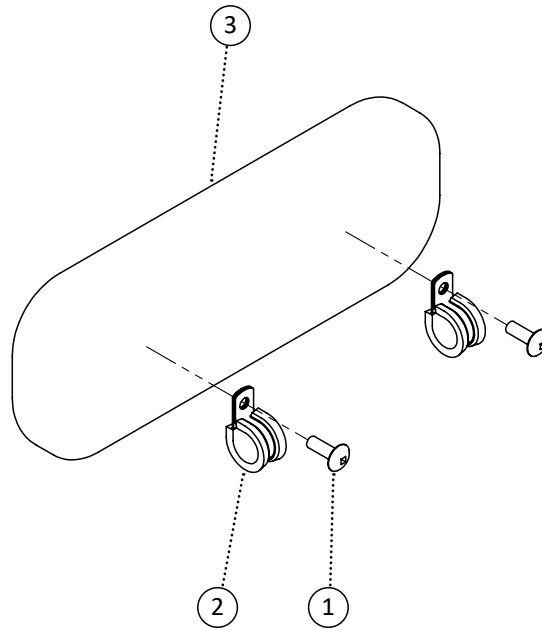


Item	REF Number	Description	Quantity	MSRP	Notes
1	549377	Screw, Socket Head M6-1.0 x 35	1		
2	549376	Screw, Socket Head M6-1.0 x 10	1		
3	548866	Nut, Nylon Lock Nut M6-1.0	2		
4	549420	Washer, Flat Washer 1/4 ID. x .4 OD.	3		
5	549419	Washer, Flat Washer 1/2 ID. x 5/8 OD.	2		
6	548846	Knob, Tristar M6-1.0 x 16.5	1		
7	549384	Spacer, 1/4 ID. Chamfer	2		
8	548509	Clamp, Oxygen Tank U-Clamp	1		
9	548438	Bracket, Oxygen Tank Base (STP)	1		
10	548437	Bracket, Oxygen Tank	1		
1-10	548756	Kit, Oxygen Tank Complete	1		

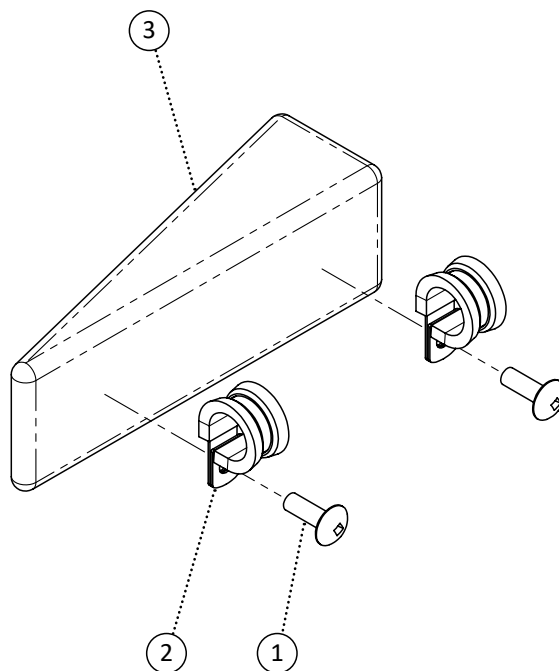




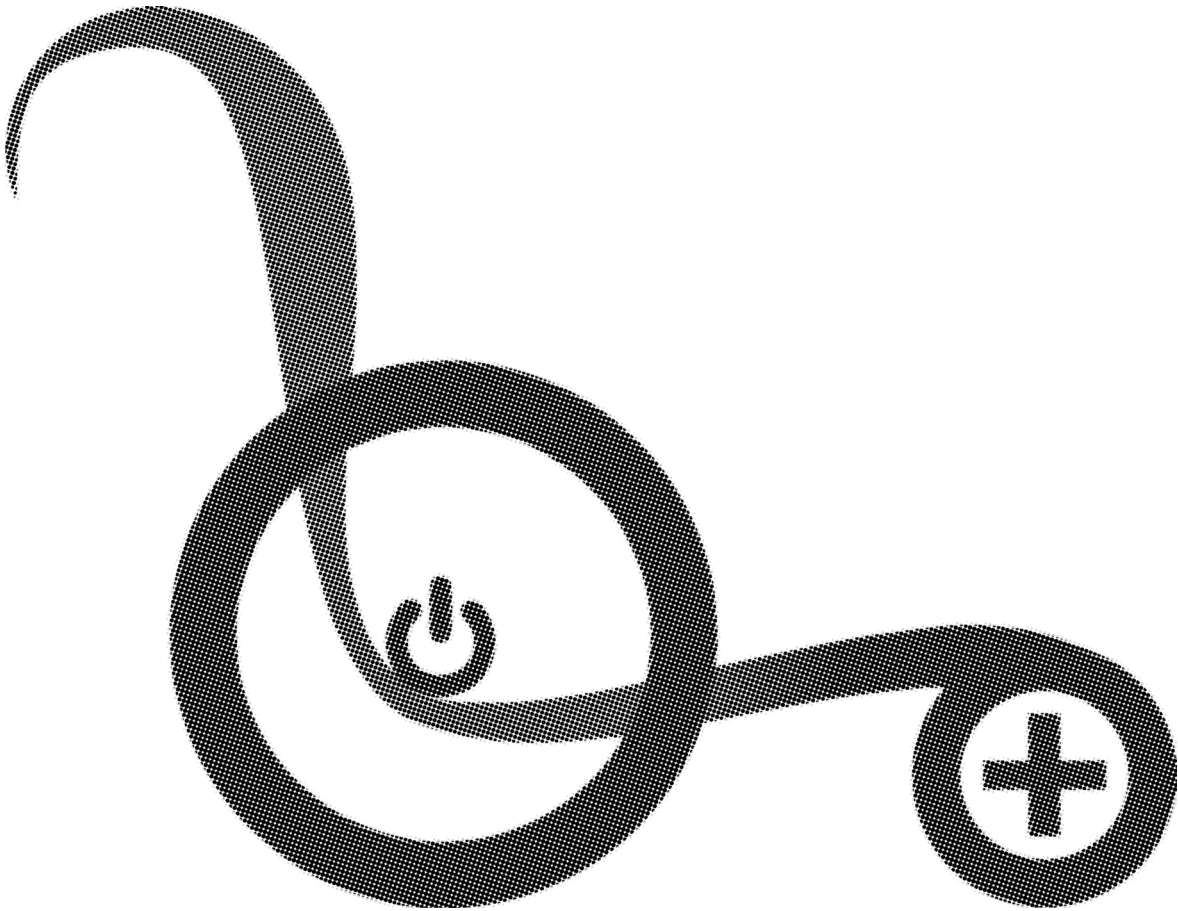
Item	REF Number	Description	Quantity	MSRP	Notes
1	549382	Screw, Truss Head 1/4-20 x 3/4	2		
2	549682	Screw, Round Head 1/4-20 x 1/2	6		
3	549683	Nut, Serrated Flange Nut 1/4-20	6		
4	549684	Bracket, Adductor Extension	2		
5	549685	Bracket, Adductor L Extension	2		
6	549686	PPM, Adductor Pad 8 x 4	1		
7	549687	PPM, Adductor Pad 10 x 4	1		
8	549688	PPM, Adductor Pad 12 x 4	1		
9	549689	PPM, Adductor Pad 14 x 4	1		
1-5,6	549690	Kit, Adductor Pad 8 x 4 Complete	1		
1-5,7	549691	Kit, Adductor Pad 10 x 4 Complete	1		
1-5,8	549692	Kit, Adductor Pad 12 x 4 Complete	1		
1-5,9	549693	Kit, Adductor Pad 14 x 4 Complete	1		

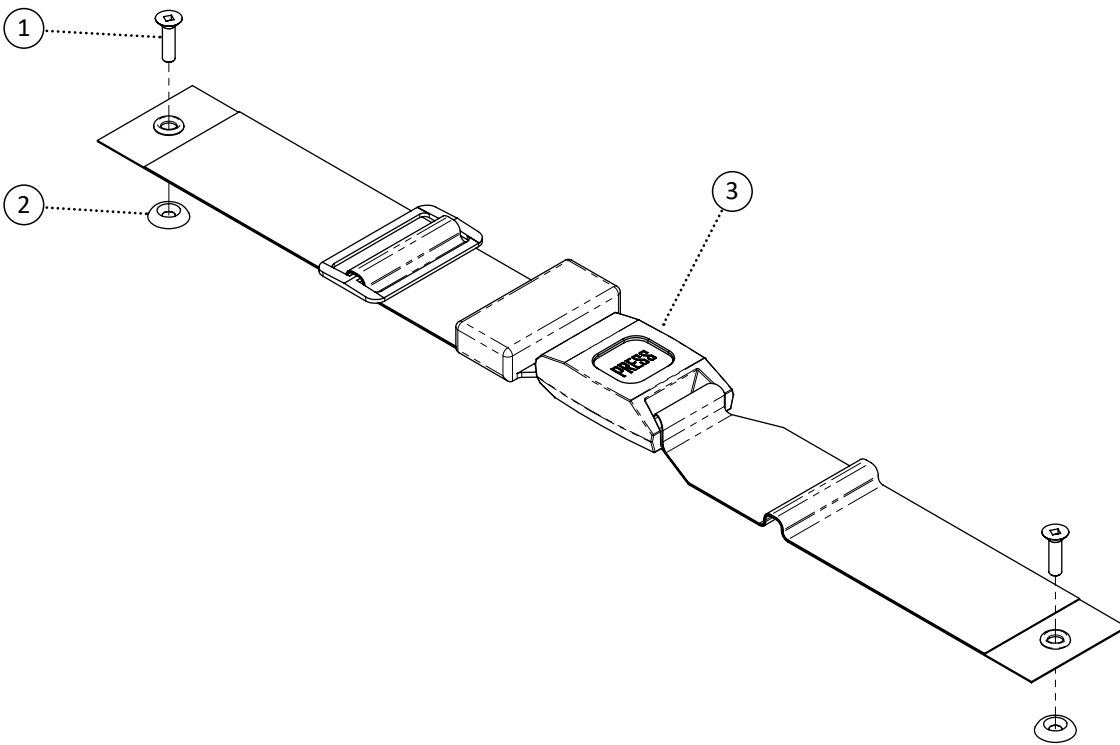


Item	REF Number	Description	Quantity	MSRP	Notes
1	549382	Screw, Truss Head 1/4-20 x 3/4	2		
2	549694	Clamp, P-Clip	2		
3	549686	PPM, Adductor Pad 8 x 4	1		
4	549687	PPM, Adductor Pad 10 x 4	1		
5	549688	PPM, Adductor Pad 12 x 4	1		
6	549689	PPM, Adductor Pad 14 x 4	1		
1-2,3	549690	Kit, Adductor Pad 8 x 4 Complete	1		
1-2,4	549691	Kit, Adductor Pad 10 x 4 Complete	1		
1-2,5	549692	Kit, Adductor Pad 12 x 4 Complete	1		
1-2,6	549693	Kit, Adductor Pad 14 x 4 Complete	1		



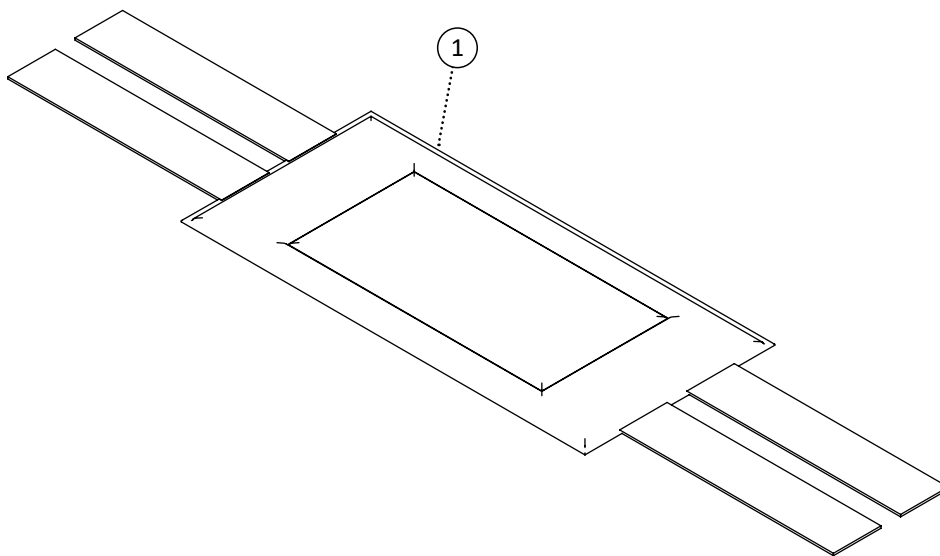
Item	REF Number	Description	Quantity	MSRP	Notes
1	549382	Screw, Truss Head 1/4-20 x 3/4	2		
2	549694	Clamp, P-Clip	2		
3	549934	PPM, Adductor Wedge Pad 8 x 4	1		
4	549935	PPM, Adductor Wedge Pad 10 x 4	1		
5	549936	PPM, Adductor Wedge Pad 12 x 4	1		
6	549937	PPM, Adductor Wedge Pad 14 x 4	1		
1,2,3	549938	Kit, Adductor Wedge Pad 8 x 4 Complete	1		
1,2,4	549939	Kit, Adductor Wedge Pad 10 x 4 Complete	1		
1,2,5	549940	Kit, Adductor Wedge Pad 12 x 4 Complete	1		
1,2,6	549941	Kit, Adductor Wedge Pad 14 x 4 Complete	1		



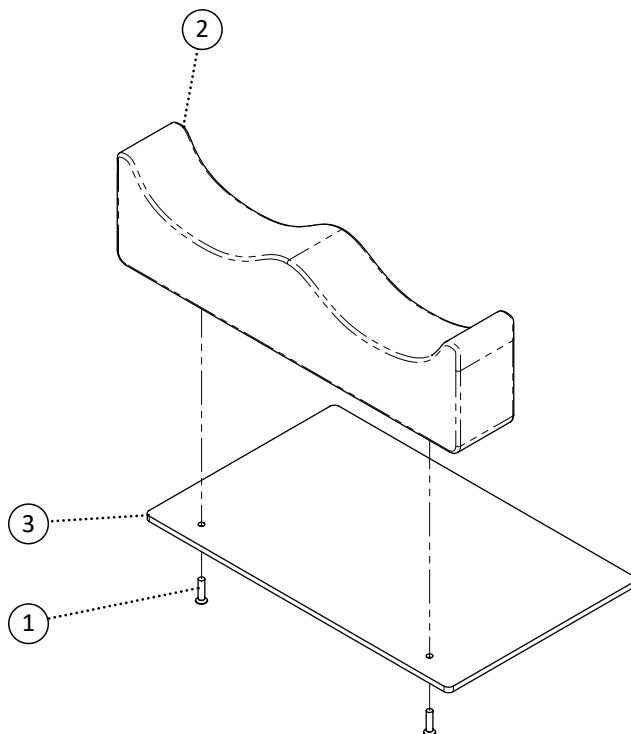


Item	REF Number	Description	Quantity	MSRP	Notes
1	549324	Screw, Flat Head 10-32 x 3/4	2		
2	549623	Washer, Cup Washer 10	2		
3	549830	Belt, 2 Point Auto-Style 16	1		
4	549831	Belt, 2 Point Auto-Style 18	1		
5	549832	Belt, 2 Point Auto-Style 20	1		
6	549833	Belt, 2 Point Auto-Style 22	1		
7	549834	Belt, 2 Point Auto-Style 24	1		
8	549835	Belt, 2 Point Auto-Style 26	1		
9	549836	Belt, 2 Point Auto-Style 28	1		
10	549837	Belt, 2 Point Auto-Style 30	1		
11	549838	Belt, 2 Point Auto-Style Padded 16	1		
12	549839	Belt, 2 Point Auto-Style Padded 18	1		
13	549840	Belt, 2 Point Auto-Style Padded 20	1		
14	549841	Belt, 2 Point Auto-Style Padded 22	1		
15	549842	Belt, 2 Point Auto-Style Padded 24	1		
16	549843	Belt, 2 Point Auto-Style Padded 26	1		
17	549844	Belt, 2 Point Auto-Style Padded 28	1		
18	549845	Belt, 2 Point Auto-Style Padded 30	1		
19	549846	Belt, 4 Point Auto-Style 16	1		

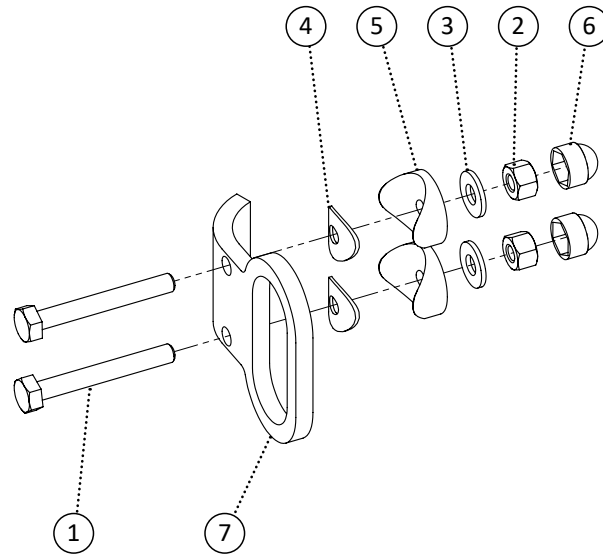
Item	REF Number	Description	Quantity	MSRP	Notes
20	549847	Belt, 4 Point Auto-Style 18	1		
21	549848	Belt, 4 Point Auto-Style 20	1		
22	549849	Belt, 4 Point Auto-Style 22	1		
23	549850	Belt, 4 Point Auto-Style 24	1		
24	549851	Belt, 4 Point Auto-Style 26	1		
25	549852	Belt, 4 Point Auto-Style 28	1		
26	549853	Belt, 4 Point Auto-Style 30	1		
27	549854	Belt, 4 Point Auto-Style Padded 16	1		
28	549855	Belt, 4 Point Auto-Style Padded 18	1		
29	549856	Belt, 4 Point Auto-Style Padded 20	1		
30	549857	Belt, 4 Point Auto-Style Padded 22	1		
31	549858	Belt, 4 Point Auto-Style Padded 24	1		
32	549859	Belt, 4 Point Auto-Style Padded 26	1		
33	549860	Belt, 4 Point Auto-Style Padded 28	1		
34	549861	Belt, 4 Point Auto-Style Padded 30	1		



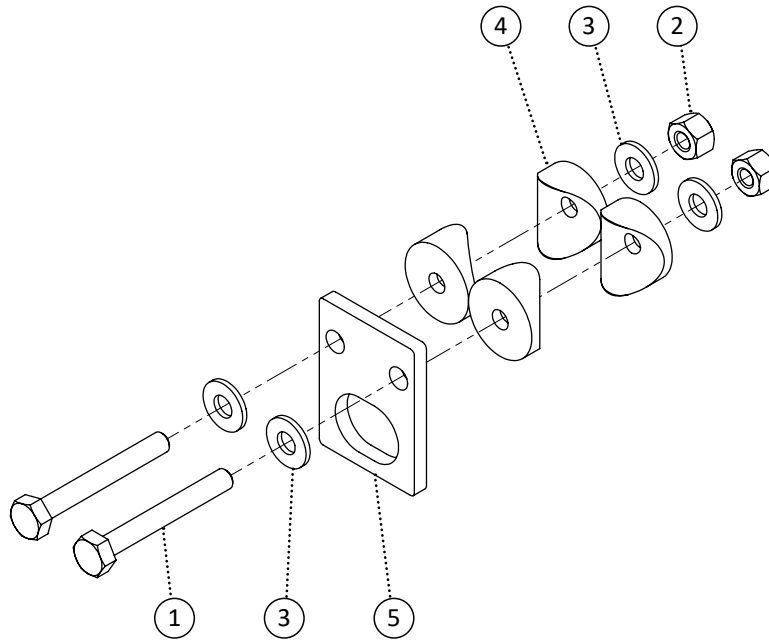
Item	REF Number	Description	Quantity	MSRP	Notes
1	549862	Strap, Nylon Leg Strap 16	1		
2	549863	Strap, Nylon Leg Strap 18	1		
3	549864	Strap, Nylon Leg Strap 20	1		
4	549865	Strap, Nylon Leg Strap 22	1		
5	549866	Strap, Nylon Leg Strap 24	1		
6	549867	Strap, Nylon Leg Strap 26	1		
7	549868	Strap, Nylon Leg Strap 28	1		
8	549869	Strap, Nylon Leg Strap 30	1		



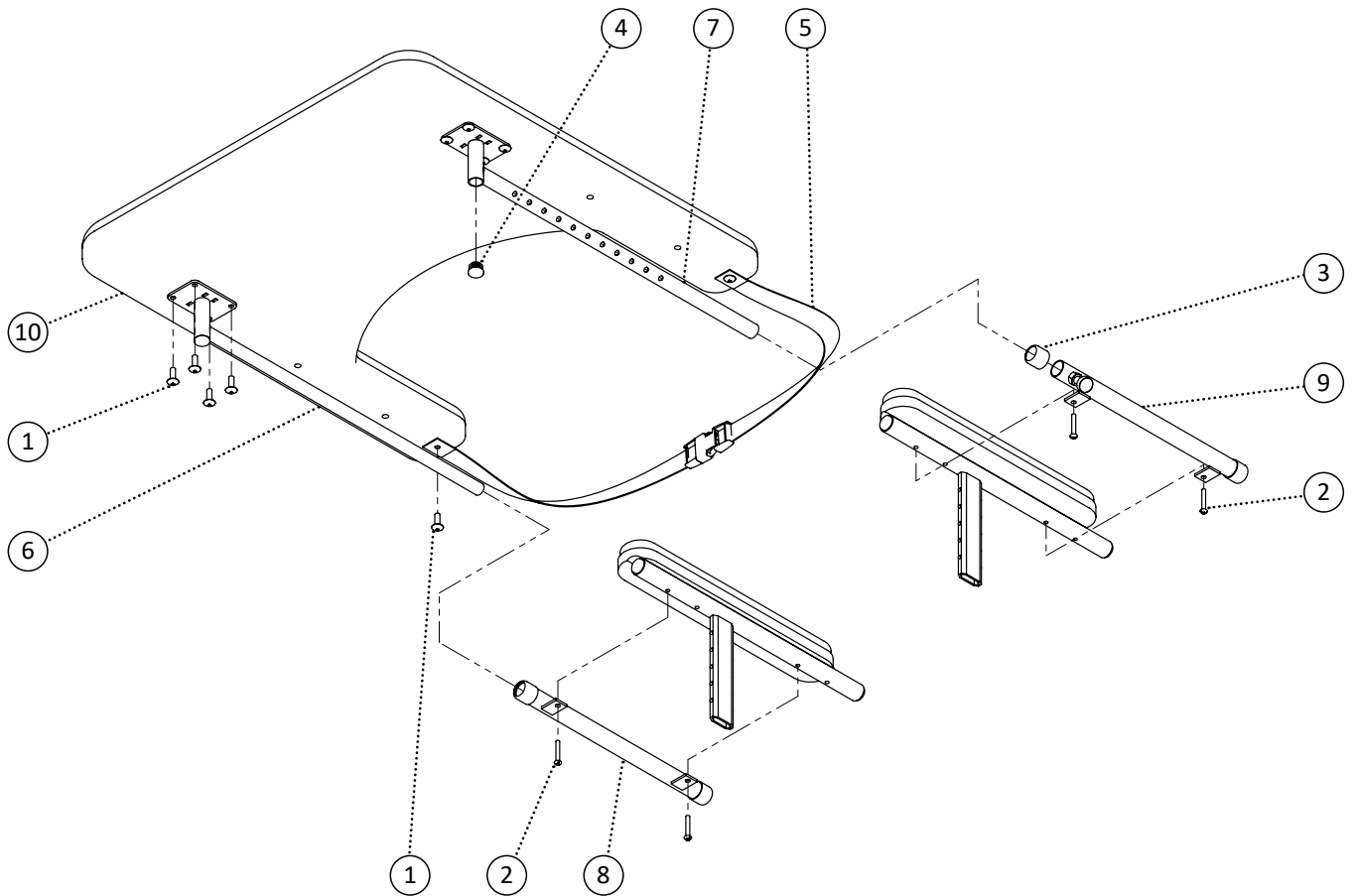
Item	REF Number	Description	Quantity	MSRP	Notes
1	549326	Screw, Hex Bolt 1/4-20 x 1	2		
2		See Form for Leg Channels	1		
3	549695	PPM, ABS Seat Pan Adductor 16 no Velcro	1		
4	549696	PPM, ABS Seat Pan Adductor 18 no Velcro	1		
5	549697	PPM, ABS Seat Pan Adductor 20 no Velcro	1		
6	549698	PPM, ABS Seat Pan Adductor 16 with Velcro	1		
7	549699	PPM, ABS Seat Pan Adductor 18 with Velcro	1		
8	549700	PPM, ABS Seat Pan Adductor 20 with Velcro	1		



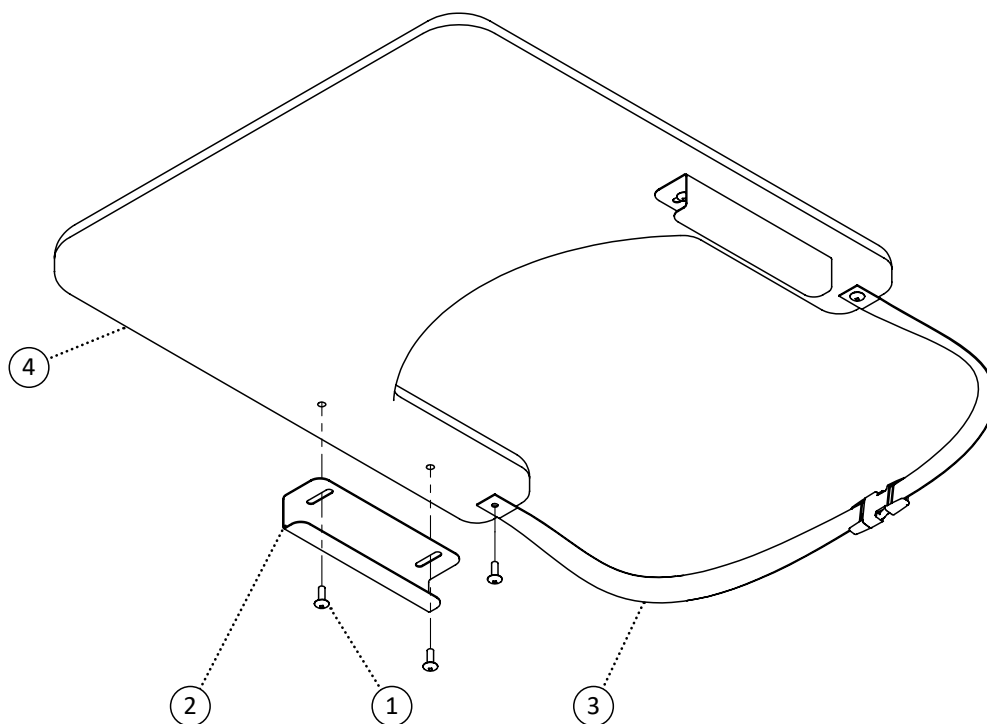
Item	REF Number	Description	Quantity	MSRP	Notes
1	549331	Screw, Hex Bolt 1/4-20 x 2	2		
2	548859	Nut, Nylon Lock Nut 1/4-20	2		
3	549423	Washer, Flat Washer 1/4 ID. x 5/8 OD.	2		
4	549416	Washer, Curved Washer 1/4 ID. x 3/4 OD. x .04thk	2		
5	549433	Washer, Radius Washer 1/4 ID. x 1 OD. x 1cu	2		
6	549944	PPM, Short Front Tie Down	1		
7	548480	Cap, 1/4 Nut Cap	2		
1-7	549945	Kit, Folding Chair Front Tie Down Complete	1		



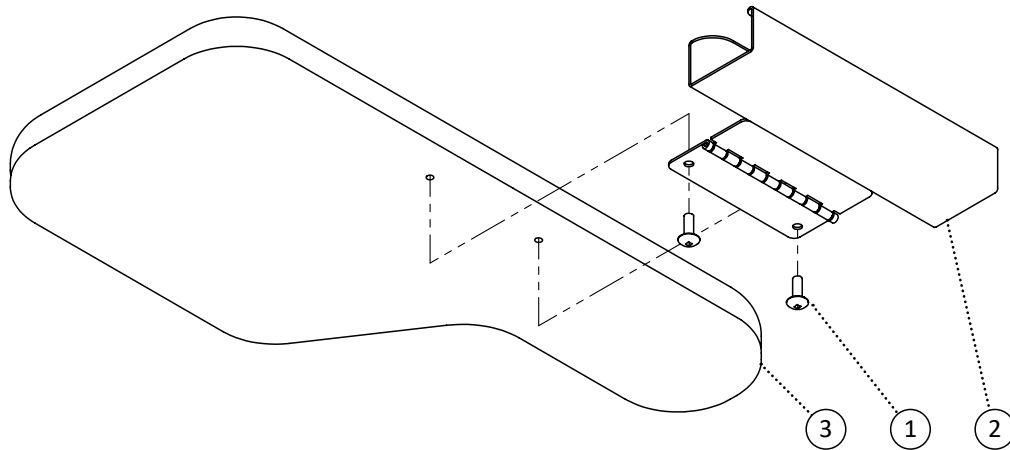
Item	REF Number	Description	Quantity	MSRP	Notes
1	549331	Screw, Hex Bolt 1/4-20 x 2	2		
2	548859	Nut, Nylon Lock Nut 1/4-20	2		
3	549423	Washer, Flat Washer 1/4 ID. x 5/8 OD.	4		
4	549433	Washer, Radius Washer 1/4 ID. x 1 OD. x 1cu	4		
5	549942	Bracket, Rear Tie Down	1		
1-5	549943	Kit, Folding Chair Rear Tie Down Complete			



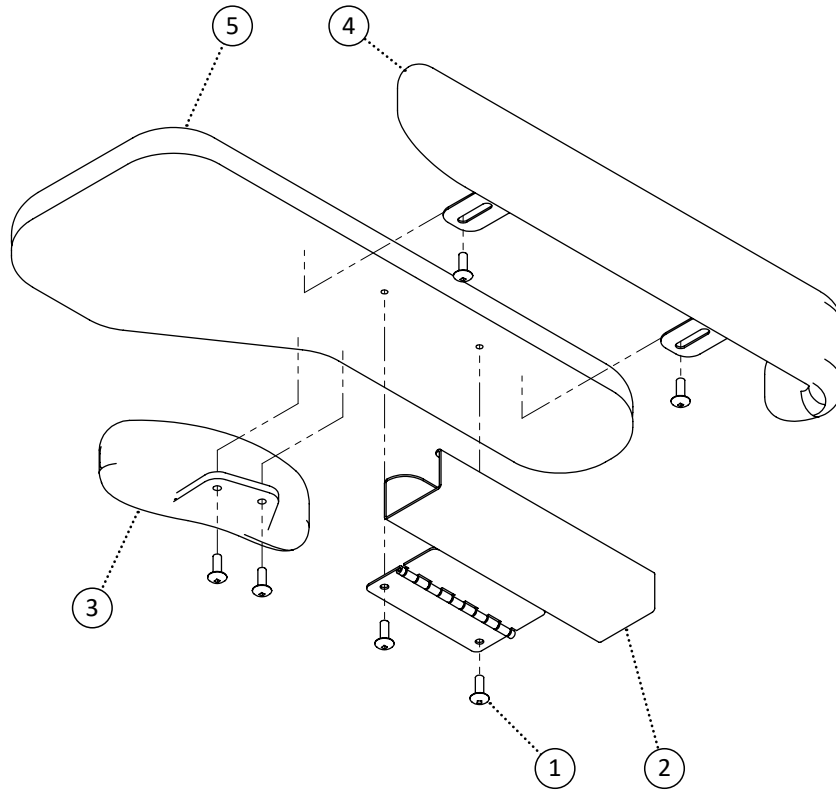
Item	REF Number	Description	Quantity	MSRP	Notes
1	549382	Screw, Truss Head 1/4-20 x 3/4	10		
2	549360	Screw, Round Head 10-24 x 1-1/4	4		
3	548499	Cap, Rubber Cap 7/8	4		
4	548481	Cap, 3/4 Round Plug	2		
5	549401	Strap, Plastic Strap Full Tray	1		
6	549087	PPM, Full Tray Tube	1		
7	549079	PPM, Full Locking Tray Tube	1		
8	549088	PPM, Full Tray Tube Receiver	1		
9	549080	PPM, Full Locking Tray Tube Receiver	1		
10	549082	PPM, Full Tray Padded	1		
11	549081	PPM, Full Tray Clear	1		
12	549083	PPM, Full Tray Plastic	1		
1,4-7,10	548720	Kit, Full Tray Locking Padded	1		
1,4-7,11	548718	Kit, Full Tray Locking Clear	1		
1,4-7,12	548722	Kit, Full Tray Locking Plastic	1		
1-9,10	548721	Kit, Full Tray Locking Padded Complete	1		
1-9,11	548719	Kit, Full Tray Locking Clear Complete	1		
1-9,12	548723	Kit, Full Tray Locking Plastic Complete	1		



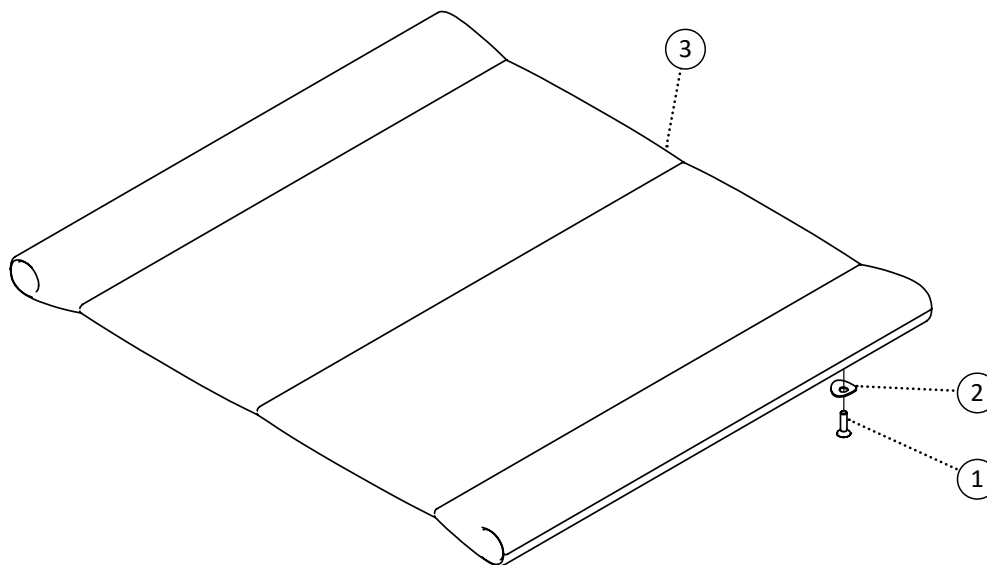
Item	REF Number	Description	Quantity	MSRP	Notes
1	549382	Screw, Truss Head 1/4-20 x 3/4	4		
2	548439	Bracket, Slide On Bracket	2		
3	549401	Strap, Plastic Strap Full Tray	1		
4	549085	PPM, Full Tray Slide On Padded	1		
5	549084	PPM, Full Tray Slide On Clear	1		
6	549086	PPM, Full Tray Slide On Plastic	1		
1-3,4	548725	Kit, Full Tray Slide On Padded Complete	1		
1-3,5	548724	Kit, Full Tray Slide On Clear Complete	1		
1-3,6	548726	Kit, Full Tray Slide On Plastic Complete	1		



Item	REF Number	Description	Quantity	MSRP	Notes
1	549382	Screw, Truss Head 1/4-20 x 3/4	2		
2	548440	Bracket, Slide On Swing Bracket	1		
3	549096	PPM, Half Tray Slide On Left Padded	1		
4	549099	PPM, Half Tray Slide On Right Padded	1		
5	549095	PPM, Half Tray Slide On Left Clear	1		
6	549098	PPM, Half Tray Slide On Right Clear	1		
7	549097	PPM, Half Tray Slide On Left Plastic	1		
8	549100	PPM, Half Tray Slide On Right Plastic	1		
1,2,3	548735	Kit, Half Tray Slide On Left Padded Complete	1		
1,2,4	548738	Kit, Half Tray Slide On Right Padded Complete	1		
1,2,5	548734	Kit, Half Tray Slide On Left Clear Complete	1		
1,2,6	548737	Kit, Half Tray Slide On Right Clear Complete	1		
1,2,7	548736	Kit, Half Tray Slide On Left Plastic Complete	1		
1,2,8	548739	Kit, Half Tray Slide On Right Plastic Complete	1		



Item	REF Number	Description	Quantity	MSRP	Notes
1	549382	Screw, Truss Head 1/4-20 x 3/4	6		
2	548440	Bracket, Slide On Swing Bracket	1		
3	549101	PPM, Hand Guard	1		
4	548935	PPM, Arm Guard	1		
5	549096	PPM, Half Tray Slide On Left Padded	1		
6	549099	PPM, Half Tray Slide On Right Padded	1		
7	549095	PPM, Half Tray Slide On Left Clear	1		
8	549098	PPM, Half Tray Slide On Right Clear	1		
9	549097	PPM, Half Tray Slide On Left Plastic	1		
10	549100	PPM, Half Tray Slide On Right Plastic	1		
1-4,5	548735	Kit, Half Tray Slide On Left Padded Complete	1		
1-4,6	548738	Kit, Half Tray Slide On Right Padded Complete	1		
1-4,7	548734	Kit, Half Tray Slide On Left Clear Complete	1		
1-4,8	548737	Kit, Half Tray Slide On Right Clear Complete	1		
1-4,9	548736	Kit, Half Tray Slide On Left Plastic Complete	1		
1-4,10	548739	Kit, Half Tray Slide On Right Plastic Complete	1		



Item	REF Number	Description	Quantity	MSRP	Notes
1	549324	Screw, Flat Head 10-32 x 3/4	1		
2	549416	Washer, Curved Washer 1/4 ID. x 3/4 OD. x .04thk	1		
3	550083	PPM, Nylon Back 14 x 15	1		
4	550084	PPM, Nylon Back 16 x 15	1		
5	550085	PPM, Nylon Back 18 x 15	1		
6	550086	PPM, Nylon Back 20 x 15	1		
7	550087	PPM, Nylon Back 14 x 16	1		
8	550088	PPM, Nylon Back 16 x 16	1		
9	550089	PPM, Nylon Back 18 x 16	1		
10	550090	PPM, Nylon Back 20 x 16	1		
11	550091	PPM, Nylon Back 14 x 18	1		
12	550092	PPM, Nylon Back 16 x 18	1		
13	550093	PPM, Nylon Back 18 x 18	1		
14	550094	PPM, Nylon Back 20 x 18	1		
15	550095	PPM, Nylon Back 14 x 20	1		
16	550096	PPM, Nylon Back 16 x 20	1		
17	550097	PPM, Nylon Back 18 x 20	1		
18	550098	PPM, Nylon Back 20 x 20	1		
1,2,3	550099	Kit, Nylon Back 14 x 15 Complete	1		

Item	REF Number	Description	Quantity	MSRP	Notes
1,2,4	550100	Kit, Nylon Back 16 x 15 Complete	1		
1,2,5	550101	Kit, Nylon Back 18 x 15 Complete	1		
1,2,6	550102	Kit, Nylon Back 20 x 15 Complete	1		
1,2,7	550103	Kit, Nylon Back 14 x 16 Complete	1		
1,2,8	550104	Kit, Nylon Back 16 x 16 Complete	1		
1,2,9	550105	Kit, Nylon Back 18 x 16 Complete	1		
1,2,10	550106	Kit, Nylon Back 20 x 16 Complete	1		
1,2,11	550107	Kit, Nylon Back 14 x 18 Complete	1		
1,2,12	550108	Kit, Nylon Back 16 x 18 Complete	1		
1,2,13	550109	Kit, Nylon Back 18 x 18 Complete	1		
1,2,14	550110	Kit, Nylon Back 20 x 18 Complete	1		
1,2,15	550111	Kit, Nylon Back 14 x 20 Complete	1		
1,2,16	550112	Kit, Nylon Back 16 x 20 Complete	1		
1,2,17	550113	Kit, Nylon Back 18 x 20 Complete	1		
1,2,18	550114	Kit, Nylon Back 20 x 20 Complete	1		

REFERENCE INDEX

548384 30	548452 71	548551 76	548652 65
548385 30	548453 71	548552 68	548653 65
548386 30	548454 71	548553 76	548654 65
548387 30	548455 71	548554 76	548655 65
548388 30	548457 76, 78	548555 52	548656 65
548389 30	548458 24, 26	548556 52	548657 65
548390 30	548459 33	548557 52	548658 65
548391 30	548464 6	548558 52	548659 65
548392 30	548466 80	548559 52	548660 65
548393 74	548467 76	548560 52	548661 65
548394 74	548469 10	548563 52	548662 65
548395 74	548470 12	548566 81	548663 65
548396 74	548471 33	548567 81	548664 65
548397 74	548479 46, 47, 48, 50, 56, 57, 58, 59	548568 81	548665 65
548399 76, 78, 79	548480 6, 14, 54, 55, 82, 83, 96	548569 81	548666 67
548400 82, 83	548481 98	548570 81	548667 67
548401 80	548482 49	548571 81	548668 67
548402 80	548483 22, 23, 24, 26	548572 81	548669 67
548404 68, 69	548484 71	548573 81	548670 67
548405 31	548485 70	548574 81	548671 67
548407 6	548486 71	548575 81	548672 67
548408 6	548487 70	548576 81	548673 67
548409 6, 8, 9	548488 33	548577 81	548674 67
548410 46, 47	548490 82, 83	548579 70	548675 67
548411 6	548491 33	548580 70	548676 67
548412 46, 47	548494 33	548581 70	548677 67
548415 60	548495 7, 10	548582 70	548678 67
548416 31	548496 12	548583 11	548679 67
548417 22, 23, 24, 26	548497 29, 68	548584 11	548680 67
548419 81	548498 7	548585 11	548681 82
548420 81	548499 98	548586 11	548682 83
548421 81	548505 14, 70, 72, 84, 85	548587 11	548683 81
548422 81	548506 63	548588 11	548684 81
548423 81	548507 63	548589 11	548685 81
548424 81	548509 86	548590 11	548686 81
548425 81	548510 39	548591 11	548687 81
548426 81	548519 33, 35, 38	548592 11	548688 81
548427 82, 83	548520 37	548593 11	548689 81
548429 8, 9	548521 14, 33, 35, 37, 38	548594 11	548690 81
548430 8, 9	548522 14, 33, 35, 37, 38	548595 11	548695 8
548431 8, 9	548523 14, 33	548596 11	548696 9
548432 8, 9	548526 38	548597 11	548697 8
548433 8, 9	548533 37	548600 60	548698 9
548435 54	548534 40	548602 31	548699 8
548437 86	548535 40	548607 23	548700 9
548438 86	548536 40	548608 23	548701 8
548439 99	548537 40	548609 22	548702 9
548440 100, 101	548538 40	548610 22	548703 8
548442 53	548539 40	548623 37	548704 9
548443 53	548540 40	548624 37	548705 35
548444 53	548541 40	548625 37	548706 35
548445 73	548542 64	548626 37	548708 35
548446 70	548545 33	548627 74	548711 35
548447 70	548547 76	548628 74	548712 35
548448 70	548548 76	548629 74	548718 98
548449 70	548550 76	548630 63	548719 98
548450 72		548651 65	548720 98

548721	98	548859	6, 8, 9, 10, 12, 14, 18,	548936	29	549098	100, 101
548722	98		33, 35, 37, 38, 53, 54, 55,	548937	29	549099	100, 101
548723	98		60, 64, 66, 68, 69, 72, 73,	548938	29	549100	100, 101
548724	99		96, 97	548939	29	549101	101
548725	99	548861	82, 83	548940	29	549104	46, 47, 50
548726	99	548862	80	548941	29	549105	46, 47, 50
548734	100, 101	548866	14, 33, 35, 37, 38, 86	548942	29	549106	84, 85
548735	100, 101	548868	33	548944	37	549107	84
548736	100, 101	548870	31, 33, 35, 37, 38, 56,	548945	37	549108	85
548737	100, 101		57, 58, 59	548960	64	549110	7
548738	100, 101	548872	62	548961	64	549111	7
548739	100, 101	548875	10, 12, 80	548962	64	549112	7
548740	54	548876	6	548963	64	549113	7
548742	84	548878	6	548964	64	549114	7
548743	85	548879	10, 12	548965	64	549115	7
548747	73	548881	39	548966	64	549134	37
548748	7	548883	69	548967	64	549135	33
548749	7	548884	33	548968	64	549136	33
548750	7	548889	6	548969	64	549137	33
548751	7	548890	33	548970	64	549138	33
548752	7	548891	66	548971	64	549149	12
548753	7	548895	48	548972	64, 66	549150	13
548754	47	548896	48, 50	548973	64	549151	13
548756	86	548897	49	548974	64	549152	12
548774	38	548898	49	548975	66	549153	13
548775	38	548899	10	548976	66	549154	13
548786	69	548900	11	548977	66	549155	12
548805	13	548901	11	548978	66	549156	13
548806	13	548902	10	548979	66	549157	13
548807	13	548903	11	548980	66	549158	12
548808	13	548904	11	548981	66	549159	13
548809	13	548905	10	548982	66	549160	13
548810	13	548906	11	548983	66	549161	12
548811	13	548907	11	548984	66	549162	13
548812	13	548908	10	548985	66	549163	13
548813	13	548909	11	548986	66	549164	12
548814	13	548910	11	548987	66	549165	13
548815	13	548911	10	548988	66	549166	13
548816	13	548912	11	548989	70	549167	12
548817	13	548913	11	548990	70	549168	13
548818	13	548914	10	548991	70	549169	13
548819	13	548915	11	548992	83	549170	12
548820	71	548916	11	549073	67	549171	13
548821	71	548917	10	549074	67	549172	13
548822	71	548918	11	549075	67	549173	12
548823	71	548919	11	549076	67	549174	13
548830	53	548920	10	549077	67	549175	13
548831	48	548921	11	549079	98	549176	12
548832	49	548922	11	549080	98	549177	13
548840	46, 47	548923	10	549081	98	549178	13
548841	48, 49, 50, 56, 57, 58,	548924	11	549082	98	549286	47
	59	548925	11	549083	98	549293	22
548842	84, 85	548926	10	549084	99	549294	26
548843	46, 47	548927	11	549085	99	549295	24
548844	53, 54, 55	548928	11	549086	99	549296	23
548846	86	548929	68	549087	98	549297	33
548852	33, 35, 37, 38	548930	22	549088	98	549298	33
548854	74	548933	23	549095	100, 101	549299	33
548855	22, 23, 24, 26	548934	60	549096	100, 101	549300	33
548857	80	548935	101	549097	100, 101	549307	46

549308 46
549309 55
549310 55
549311 22, 23, 24, 26
549317 68, 69
549322 80
549323 37
549324 20, 92, 102
549325 14, 33, 35, 37, 38
549326 54, 55, 95
549327 14, 33, 35, 37, 38
549329 8, 9, 64, 66
549330 37
549331 8, 9, 60, 73, 96, 97
549333 10, 12, 68, 69
549335 31
549336 72
549342 80
549343 80
549346 83
549347 82, 83
549348 53
549349 6, 8, 9
549350 79
549351 6
549353 6
549354 33, 38
549355 22, 23, 24, 26
549356 22, 23, 24, 26
549357 33, 35, 37, 38
549360 29, 98
549367 46, 47
549369 53
549371 6
549372 37
549373 46, 47, 50, 59
549374 6
549375 10, 12
549376 86
549377 86
549378 33
549379 24, 26
549380 71
549382 39, 42, 44, 48, 49, 56,
57, 58, 59, 88, 89, 90, 98,
99, 100, 101
549384 86
549386 22, 23, 24, 26
549387 46, 47
549388 6
549389 80
549390 8, 9, 54, 55
549392 37
549396 22, 23, 24, 26
549398 6
549399 33
549400 33, 35, 37, 38
549401 98, 99
549413 33
549414 6, 8, 9, 64, 66

549416 82, 83, 96, 102
549417 82, 83
549419 86
549420 86
549423 8, 9, 10, 12, 54, 55, 60,
73, 76, 79, 96, 97
549427 74
549428 8, 9
549430 37
549433 60, 73, 96, 97
549434 8, 9, 10, 12, 14, 33
549436 35, 37, 38
549439 46, 47, 50, 59
549440 46, 47, 50, 59
549471 81
549472 81
549473 81
549474 81
549475 81
549476 81
549477 81
549478 81
549479 81
549480 81
549481 81
549482 81
549502 76, 78
549503 76
549504 76
549505 76
549506 76
549507 76
549508 76
549509 76
549510 77
549511 77
549512 77
549513 77
549514 77
549515 77
549516 77
549517 77
549518 77
549519 77
549520 77
549521 77
549522 77
549523 77
549524 77
549525 77
549526 77
549527 77
549528 77
549529 77
549530 77
549531 77
549532 77
549533 77
549534 77
549535 77

549536 77
549537 78
549538 78
549539 78
549540 78
549541 78
549542 78
549543 78
549544 78
549545 78
549546 78
549547 78
549548 78
549549 78
549550 79
549551 79
549552 79
549553 79
549554 79
549623 20, 92
549636 29
549637 29
549638 29
549639 29
549640 29
549641 29
549642 29
549643 29
549644 29
549645 29
549646 29
549647 29
549648 29
549649 29
549650 24
549651 24
549652 24
549653 24
549654 24
549655 24
549656 24
549657 25
549658 25
549659 25
549660 25
549661 25
549662 25
549663 25
549664 25
549665 25
549666 26
549667 26
549668 26
549669 26
549670 26
549671 26
549672 26
549673 27
549674 27
549675 27

549676 27
549677 27
549678 27
549679 27
549680 27
549681 27
549682 88
549683 88
549684 88
549685 88
549686 88, 89
549687 88, 89
549688 88, 89
549689 88, 89
549690 88, 89
549691 88, 89
549692 88, 89
549693 88, 89
549694 89, 90
549695 95
549696 95
549697 95
549698 95
549699 95
549700 95
549701 58
549702 56, 57, 58, 59
549703 56, 57, 58, 59
549704 56
549705 56
549706 56
549707 56
549708 56, 57, 58, 59
549709 56, 57, 58, 59
549710 57
549711 57
549712 57
549713 57
549714 57
549715 58
549716 58
549717 58
549718 58
549719 59
549720 59
549721 59
549722 59
549723 59
549724 56
549725 62
549726 62
549727 62
549728 62
549729 62
549730 62
549731 14
549732 14
549733 14
549734 14
549735 14

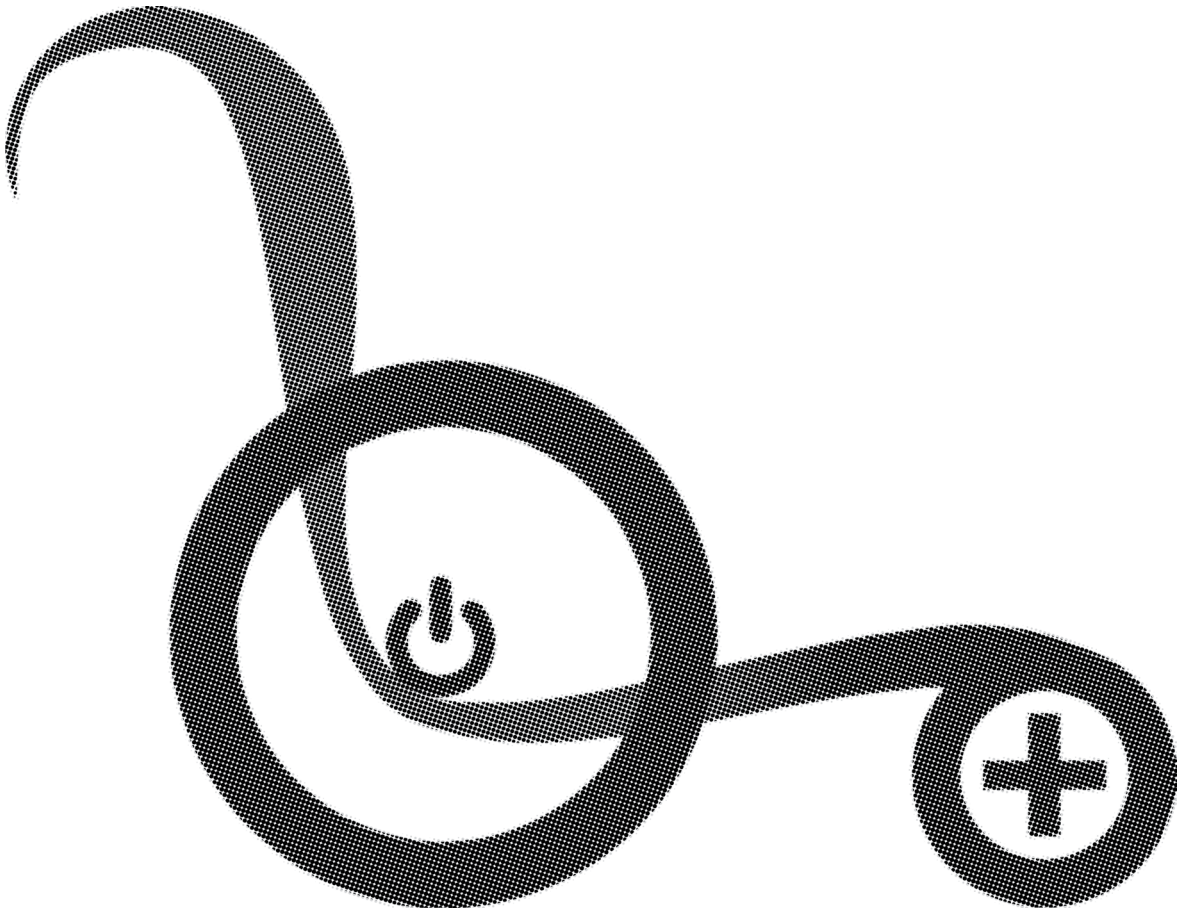
549776 42, 44
549777 42, 44
549778 42, 44
549779 42, 44
549780 42, 44
549781 42, 44
549782 42
549783 42
549784 42
549785 42
549786 42
549787 42
549788 42
549789 42
549790 42
549791 42
549792 42
549793 42
549794 43
549795 43
549796 43
549797 43
549798 43
549799 43
549800 43
549801 43
549802 43
549803 43
549804 43
549805 43
549806 44
549807 44
549808 44
549809 44
549810 44
549811 44
549812 44
549813 44
549814 44
549815 44, 59
549816 44, 59
549817 44, 59
549818 45
549819 45
549820 45
549821 45
549822 45
549823 45
549824 45
549825 45
549826 45
549827 45
549828 45
549829 45
549830 92
549831 92
549832 92
549833 92
549834 92
549835 92

549836 92
549837 92
549838 92
549839 92
549840 92
549841 92
549842 92
549843 92
549844 92
549845 92
549846 92
549847 93
549848 93
549849 93
549850 93
549851 93
549852 93
549853 93
549854 93
549855 93
549856 93
549857 93
549858 93
549859 93
549860 93
549861 93
549862 94
549863 94
549864 94
549865 94
549866 94
549867 94
549868 94
549869 94
549870 16
549871 16
549872 16
549873 16
549874 16
549875 16
549876 16
549877 16
549878 16
549879 16
549880 16
549881 16
549882 16
549883 16
549884 16
549885 16
549886 16
549887 16
549888 16
549889 16
549890 16
549891 16
549892 17
549893 17
549894 17
549895 17

549896 17
549897 17
549898 17
549899 17
549900 17
549901 17
549902 17
549903 17
549904 17
549905 17
549906 17
549907 17
549908 17
549909 17
549910 17
549911 17
549912 17
549913 17
549914 17
549915 17
549916 17
549917 17
549918 17
549919 17
549920 17
549921 17
549922 17
549923 17
549924 17
549925 17
549926 17
549927 17
549928 17
549929 17
549930 17
549931 17
549932 17
549933 17
549934 90
549935 90
549936 90
549937 90
549938 90
549939 90
549940 90
549941 90
549942 97
549943 97
549944 96
549945 96
549985 72
549986 72
549987 72
549988 72
549989 72
549990 72
549999 77
550000 77
550001 77
550002 76

550003 77
550004 77
550005 77
550006 77
550007 77
550008 77
550009 18
550010 18
550011 18
550012 18
550013 18
550014 18
550015 18
550016 18
550017 18
550018 18
550019 18
550020 18
550021 18
550022 18
550023 18
550024 18
550025 18
550026 18
550027 19
550028 19
550029 19
550030 19
550031 19
550032 19
550033 19
550034 19
550035 19
550036 19
550037 19
550038 19
550039 19
550040 19
550041 19
550042 19
550043 19
550044 19
550045 20
550046 20
550047 20
550048 20
550049 20
550050 20
550051 20
550052 20
550053 20
550054 20
550055 20
550056 20
550057 20
550058 20
550059 20
550060 20
550061 20
550062 21

550063 21
550064 21
550065 21
550066 21
550067 21
550068 21
550069 21
550070 21
550071 21
550072 21
550073 21
550074 21
550075 21
550076 21
550083 102
550084 102
550085 102
550086 102
550087 102
550088 102
550089 102
550090 102
550091 102
550092 102
550093 102
550094 102
550095 102
550096 102
550097 102
550098 102
550099 102
550100 103
550101 103
550102 103
550103 103
550104 103
550105 103
550106 103
550107 103
550108 103
550109 103
550110 103
550111 103
550112 103
550113 103
550114 103
550120 50



MAGIC PLUS



POWERPLUSMOBILITY.COM

50 Malcolm Road | Guelph, ON | Canada N1K 1A9
Telephone (519)-763-9976 | Fax (519)-837-1832