

RELAX SERIES

RELAX

SNUG SPIRAL BACK



MSRP: \$1005



The **Relax Snug Spiral** is suited for users needing complex postural support and spinal adjustments. Accommodates for curvature of the spine allowing for comfortable posterior pelvic tilt.

Quick Reference Guide

RELAX SERIES - SNUG SPIRAL BACK		
STANDARD ADP: SEBWM0030	CUSTOM WIDTH ADP: SEBWM0030 & SEBWM0035	CUSTOM HEIGHT ADP: SEBWM0030 & SEBWM0040
Height: 18" Width: 16" & 18"	Height: 18" Width: All except 16" & 18"	Height: All except 18" Width: 16" & 18"
Available Heights: 16", 18" & 20"		

CUSTOM
ADP: **SEBWM0030** W= **SEBWM0035** & H= **SEBWM0040**

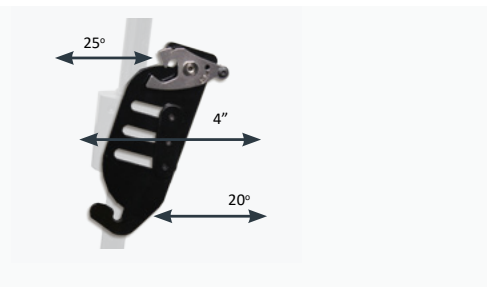
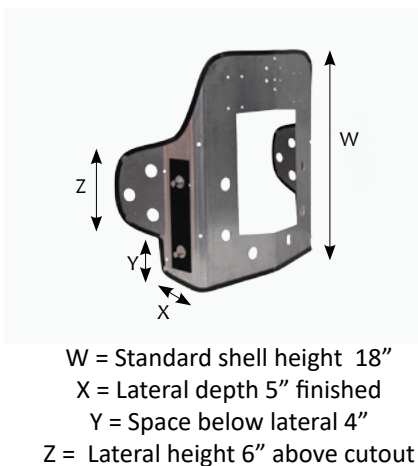
Part Number: Refer below

PART NUMBERS

KTBM (W X H) **Snug Laterals**

Fill in width (W) and height (H) to get part number.

E.g. For a W = 15" and H = 17" Back; Part number would be
KTB1517



KEY FEATURES

- Wide range of laterals with cutout that allows for curvature of the spine
- Comfortable High Resilience Foam
- 3lbs Aluminum, Light Weight Shell
- Pre Punched holes to mount headrest and laterals
- Adjustable/Removable Lumbar Support
- Easy to Install and Remove
- Height Adjustable
- TEK4 Waerproof material at the bottom of back for easy clean up

OVERLAYS

* Foam Pad	* Visco	* Gel
ADP: SEBND0015	ADP: SEBND0015	ADP: SEBND0020

* Up-charge items

SPECIFICATIONS	RELAX SERIES - SPIRAL FIT BACK
ADP	SEBWM0030 W= SEBWM0035 & H= SEBWM0040
STANDARD WIDTH RANGE	16" - 18"
CUSTOM WIDTH RANGE	15" or less and 19" or more
STANDARD HEIGHT RANGE	18"
CUSTOM HEIGHT RANGE	17" or less and 19" or more
AVAILABLE HARDWARE STYLES	One style which is universal to all our backs
ANGLE ADJUSTABLE	25° anterior adjustability, 20° of posterior adjustability
WIDTH ADJUSTABLE	2" of adjustability through the pins on the back
FITS TUBING SIZE	7/8" tubing or 1"
HEADREST MOUNT	Backs pre-drilled for headrest supports and lateral supports
FINISHED HEIGHT	Back Shell Size +2"