

WHEELCHAIR

B O O K L E T



PROUDLY CANADIAN

Power Plus Mobility Inc. is a proudly Canadian wheelchair manufacturer, dedicated to delivering high-quality mobility solutions that embody Canadian craftsmanship and innovation.

TABLE OF CONTENTS

TILT WHEELCHAIR

1



STP

5



NV TILT

9



EXTREME

FOLDING WHEELCHAIR

13



MAGIC PLUS

17



VOYAGER PLUS

21



GLYDER

POWER WHEELCHAIR

25



MPS

COMMODOES

29



HORIZON

33



HORIZON TILT

At Power Plus Mobility, We care!

Thank you for considering a wheelchair from Power Plus Mobility Inc. We are committed to continuously improving our products and services to better meet your needs. Your feedback is important to us, whether it's about our product information, the reliability of our wheelchairs, or the service you received during your decision-making process. Please don't hesitate to reach out with any questions or comments at csr@powerplusmobility.com.

STP

SUPER TILT PLUS

TILT WHEELCHAIR



ADP CODE: WM0001040

AADL CODE: W304

The STP is one of our most popular chairs and is designed for adjustments, maneuverability and comfort. The tilt system on this chair provides a change in seating position to redistribute pressure from one area to another.



Power Tilt Option



Center Pivot Swing In And Swing Out Front Rigging



Dual Cylinders Allows For Consistent Tilt For All Weight Capacities



Narrow Configuration
(Inside Wheel Mount)



Rear Axle Adjustability



Rear Depth Adjustable Frame

CUSTOMIZE ANYTHING

Power Plus Mobility's advanced machinery specializes in manufacturing custom parts to users' specifications from either a drawing, pictures or a sample. The custom parts we make can be simple or complex and can be produced in small or large quantities based on what is requested. Contact your local sales representative with your specifications.

STP
SUPER TILT PLUS



STANDARD FEATURES

- Light Weight Frame
- Depth Adjustable Frame
- ABS Seat Pan
- Dual Gas Struts For Easy Tilt (Up To 55°)
- Tilt Collar lock, locked out at 33°
- New Recessed Lower Frame For Foot Propulsion
- Dual Gas Cylinders for Smooth & Easy Tilting
- Soft Set Gas Cylinder Release Mechanism
- Silver Grey or Black Frame Colour
- T-Style Arms
- Adjustable Stroller Handle
- Swing In & Out Footrest
- Adjustable Caster Journals
- Recessed Axle Plates
- Overall Wheelchair Width: 28" (18" Seat Width)

SPECIFICATIONS	STP
SEAT WIDTH:	14" TO 36"
SEAT DEPTH:	16" TO 24"
SEAT HEIGHT:	(ADJUSTABLE): 12.25" TO 18.25"
TILT ANGLE:	0° TO 55°
BACK ANGLE:	(ADJUSTABLE): 0° , 5° , 10° OR 15°
ADJUSTABLE STROLLER HANDLE:	0° TO 180°
WEIGHT CAPACITY:	UP TO 600 lbs.
WEIGHT OF CHAIR:	60 lbs. (APPROXIMATELY)
	TWO-WAY LOCKING GAS STRUT
	SINGLE RELEASE, DUAL CYLINDERS
	STANDARD LOCKOUT COLLARS (33°)

STP
TILT WHEELCHAIR



Learn more about this product by scanning the QR Code



NV TILT

NARROW VERSION TILT

DYNAMIC TILT WHEELCHAIR



ADP CODE: WM0001076

NV Tilt reimagines mobility with its innovative design as a narrow-width ***Dynamic Tilt*** wheelchair, expertly crafted for easy maneuverability and increased mobility through doorways and tight spaces. Engineered for both practicality and comfort, this wheelchair's slender frame with a wide seating surface that doesn't compromise on stability or user experience.



Adjustable Stroller Handle



Upper Frame Back Cane, and Front Rigging Adjustable to Balance Center of Gravity



Narrow Wheel Width



Seat Pan Rigid Skirt Guards and Endomorph Canes



Rear Axle Adjustability Maximizing Hand to Wheel Contact



Removable T-Style Arms

NV Tilt reimagines mobility with its innovative design as a narrow-width **Dynamic Tilt** wheelchair, expertly crafted for easy maneuverability and increased mobility through doorways and tight spaces. Engineered for both practicality and comfort, this wheelchair's slender frame with a wide seating surface that doesn't compromise on stability or user experience. The NV Tilt prioritizes accessibility, making it an ideal choice for individuals seeking enhanced freedom and independence in their daily lives. Its sleek and ergonomic construction embodies an era of wheelchair mobility, where seamless movement through various environments is a reality.

CUSTOMIZE ANYTHING

Power Plus Mobility's advanced machinery specializes in manufacturing custom parts to users' specifications from either a drawing, pictures or a sample. The custom parts we make can be simple or complex and can be produced in small or large quantities based on what is requested. Contact your local sales representative with your specifications.

NV TILT

NARROW VERSION TILT

DYNAMIC TILT WHEELCHAIR



STANDARD FEATURES

- Narrow Overall Width with Wide Seating Surface
- Depth Adjustable Frame for Center of Gravity Adjustment
- ABS Seat Pan with Rigid Skirt Guard
- Dual Gas Struts For Easy Tilt (Up To 30°)
- Tilt Collar lock, Locked Out at Your Position
- Recessed Lower Frame For increased maneuverability
- Dual Gas Cylinders for Smooth & Easy Tilting
- Soft Set Gas Cylinder Release Mechanism
- Black Frame Colour - Standard
- T-Style Arms
- Adjustable Stroller Handle
- Swing In & Out Footrest
- Adjustable Caster Journals

SPECIFICATIONS	STP
SEAT WIDTH:	18" TO 36"
SEAT DEPTH:	16" TO 24"
SEAT HEIGHT:	(ADJUSTABLE): 16.75", 17.75" and 18.75"
TILT ANGLE:	0° TO 30°
BACK ANGLE:	(ADJUSTABLE): 0° , 5° , 10° OR 15°
ADJUSTABLE STROLLER HANDLE:	0° TO 180°
WEIGHT CAPACITY:	UP TO 600 lbs.
WEIGHT OF CHAIR:	60 lbs. (APPROXIMATELY)
	TWO-WAY LOCKING GAS STRUT
	SINGLE RELEASE, DUAL CYLINDERS
	STANDARD LOCKOUT COLLARS

WELCOME HOME
TILT
TILT WHEELCHAIR



EXTREME

TILT WHEELCHAIR



ADP CODE: WM0001041

AADL CODE: W305

The EXTREME tilt wheelchair has a light-weight frame and is depth adjustable. The tilt system offers users a change in orientation to redistribute pressure from one area to another. The front seat to floor height on the chair also remains constant during a 0 to 25 degree tilt.



Seat To Floor Height
Adjustability



Zero Maintenance Soft Set Cylinders



Offset Front Hangers
(Optional)



Dual Cylinders Allows For Consistent Tilt For All Weight Capacities



Standard Angle Adjustable Stroller Handles



Angle Adjustable Front Journals

CUSTOMIZE ANYTHING

Power Plus Mobility's advanced machinery specializes in manufacturing custom parts to customers' specifications from either a drawing or a sample. The parts we manufacture can be simple or more complex and can be manufactured in small or large quantities. Contact your local sales representative with your specifications.

EXTREME



STANDARD FEATURES

- Light Weight Frame
- Depth Adjustable Frame
- ABS Seat Pan
- Dual Gas Struts for Easy Tilt (Up To 25°)
- New Recessed Lower Frame For Foot Propulsion
- Dual Gas Cylinders for Smooth & Easy Tilting
- Relax Seating System
- New Gas Cylinder Release Mechanism
- Black Frame Colour
- T-Style Arms
- Adjustable Stroller Handle
- Swing In & Out Footrest
- Adjustable Caster Journals
- New Recessed Axles
- Maintains Front STF Height In Tilt
- Overall Wheelchair Width: 29" (18" Seat Width)

SPECIFICATIONS	EXTREME
SEAT WIDTH:	14" TO 36"
SEAT DEPTH:	(ADJUSTABLE): 16" TO 24"
SEAT HEIGHT:	(ADJUSTABLE): 12.25" TO 18.25"
Tilt ANGLE:	0° TO 25°
BACK ANGLE:	(ADJUSTABLE): 0°, 5°, 10° OR 15°
ADJUSTABLE STROLLER HANDLE:	0° TO 180°
WEIGHT CAPACITY:	UP TO 600 lbs.
WEIGHT OF CHAIR:	60 lbs. (APPROXIMATELY)
	DYNAMIC TILT ADJUSTMENTS 0° TO 25°
	TWO-WAY LOCKING GAS STRUT
	SINGLE RELEASE, DUAL CYLINDERS
	STANDARD LOCKOUT COLLARS

EXTREME
TILT WHEELCHAIR



Learn more about this product by scanning the QR Code



MAGIC PLUS

FOLDING WHEELCHAIR



ADP CODE: WM0001062

The MAGIC PLUS is a folding chair designed with an aluminum light weight composition for easy maneuverability. This chair also offers one of the lowest seat to floor height settings available.



Vertical Rear Axle Adjustability
Ranging From 12.5" To 18.25"



Angle Adjustable Back Canes 0°, 5°,
10° Or 15°



Dual cross braces



Two Point Flip Back Arm



Height Adjustable Arm



Swing In And Swing Out Front Rigging

CUSTOMIZE ANYTHING

Power Plus Mobility's advanced machinery specializes in manufacturing custom parts to customers' specifications from either a drawing or a sample. The parts we manufacture can be simple or more complex and can be manufactured in small or large quantities. Contact your local sales representative with your specifications.

MAGIC PLUS



STANDARD FEATURES

- Light Weight Aluminum Frame & Cross Braces
- Multi Axle Position - Vertical
- 20", 22" or 24" Urethane Molded Rear Wheels
- New Light Weight 20", 22" or 24" Spoked Rear Wheels
- Extruded Aluminum Forks
- Chrome Hand Rims
- 5", 6" or 8" Casters
- Black Nylon Upholstery
- Powder Coated Frame
- T-Arm Height Adjustable/ Removable
- New Flip Back Arms (Allows Angle Back Adjustment)
- Detachable Swing In/Out Footrest with Heel Loops
- Precision Bearings
- Molded Plastic Footplates
- Seat Width 14" To 20"
- Black Padded Arm Pads
- Anti-Tip Rollers
- 6" Brake Extensions
- Overall Wheelchair Width: 27" (18" Seat Width Unfolded)
18" (18" Seat Width folded)

SPECIFICATIONS	MAGIC PLUS
SEAT WIDTH:	14" TO 20"
SEAT DEPTH:	14" TO 24"
SEAT HEIGHT (ADJUSTABLE):	12.5" TO 18.25"
REAR WHEEL:	20",22" OR 24" COMPOSITE URETHANE
CASTER SIZE:	5", 6" OR 8" URETHANE
BACK STYLE:	19" TO 22" LOW, 22" TO 25" HIGH SLIP ON BACK UPHOLSTERY
FRONT RIGGING:	SWING AWAY, DUAL SWING AWAY OR ELEVATING LEG RESTS
BACK ANGLE (ADJUSTABLE):	0° , 5° , 10° OR 15°
BACK HEIGHT RANGE:	15" TO 24"
WEIGHT CAPACITY:	250 lbs. (Up to 600 lbs. With HD package)
WEIGHT OF CHAIR:	31 lbs.

MAGIC PLUS
FOLDING WHEELCHAIR



Learn more about this product by scanning the QR Code



VOYAGER PLUS

FOLDING WHEELCHAIR



ADP CODE: WM0001063

AADL CODE: W153

The VOYAGER PLUS is built to withstand strenuous circumstances structured with heavy duty steel frame and cross braces. The VOYAGER PLUS is easily customizable and is available with bariatric weight capacities.



Vertical/Horizontal Rear Axle Adjustability



Wrap Around Arms



Quick Release Arms



Dual Cross Braces



Angle Adjustable Back Canes 0°, 5°, 10° and 15°



Height Adjustable Back Canes 15"-24"

CUSTOMIZE ANYTHING

Power Plus Mobility's advanced machinery specializes in manufacturing custom parts to customers' specifications from either a drawing or a sample. The parts we manufacture can be simple or more complex and can be manufactured in small or large quantities. Contact your local sales representative with your specifications.

VOYAGER PLUS



STANDARD FEATURES

- Chromoly Frame & Cross Braces
- Standard 18" Back Height
- 20", 22" or 24" Urethane Molded Rear Wheels
- New Light Weight 20" To 22" or 24" Spoked Rear Wheels
- Extruded Aluminum Forks
- Chrome Hand Rims
- 5", 6" or 8" Casters
- Black Nylon Upholstery
- Powder Coated Frame
- Flip Back Height Adjustable Removable Arms
- New Flip Back Arms (Allows Angle Back Adjustments)
- Detachable Swing In/Out Footrest with Heel Loops
- Precision Bearings
- Molded Plastic Footplates
- Seat Width 14" To 36"
- Black Padded Arm Pads
- Anti- Tip Rollers
- 6" Brake Extensions
- Double Cross Brace
- Overall Wheelchair Width: 27" (18" Seat Width Unfolded)
18" (18" Seat Width folded)

SPECIFICATIONS	VOYAGER PLUS
SEAT WIDTH:	14" TO 36"
SEAT DEPTH:	14" TO 24"
SEAT HEIGHT (ADJUSTABLE):	12.25" TO 19"
REAR WHEEL:	20", 22" OR 24" COMPOSITE URETHANE
CASTER SIZE:	5", 6" OR 8" URETHANE
BACK STYLE:	19" TO 22" LOW, 22" TO 25" HIGH SLIP ON BACK UPHOLSTERY
FRONT RIGGING:	SWING AWAY, DUAL SWING AWAY OR ELEVATING LEG RESTS
BACK ANGLE (ADJUSTABLE):	0°, 5°, 10° OR 15°
BACK HEIGHT RANGE	15" TO 24"
WEIGHT CAPACITY:	UP TO 600 lbs.
WEIGHT OF CHAIR:	36 lbs.

VOYAGER PLUS
FOLDING WHEELCHAIR



Learn more about this product by scanning the QR Code



GLYDER

FOLDING WHEELCHAIR



ADP CODE: WM0001061

The GLYDER is one of our newest wheelchairs, designed and constructed with accessibility and maximum mobility in mind. It is structured with lightweight frame and cross braces, horizontal and vertical versatile axles for easy transport. The chair also offers a variety of customizing options to suit different needs.



Horizontal Rear Axle Adjustability
Ranging From 12.5" To 18.25"



Angle Adjustable Back Canes 0°, 5°,
10° Or 15°



Dual Cross Braces



Two Point Flip Back Arm



Height Adjustable Arm



Swing In And Swing Out Front Rigging

CUSTOMIZE ANYTHING

Power Plus Mobility's advanced machinery specializes in manufacturing custom parts to customers' specifications from either a drawing or a sample. The parts we manufacture can be simple or more complex and can be manufactured in small or large quantities. Contact your local sales representative with your specifications.

GLYDER



STANDARD FEATURES

- Light Weight Aluminum Frame & Cross Braces
- Multi Axle Position - Vertical & Horizontal
- 20", 22" Or 24" Urethane Molded Rear Wheels
- New Light Weight 20", 22" Or 24" Spoked Rear Wheels
- Extruded Aluminum Forks
- Chrome Hand Rims
- 5", 6" Or 8" Casters
- Black Nylon Upholstery
- Powder Coated Frame
- T-Arm Height Adjustable/ Removable
- New Flip Back Arms Which Allow Angle Back Adjustments
- Detachable Swing In/Out Footrest with Heel Loops
- Precision Bearings
- Molded Plastic Footplates
- Seat Width 14" To 20" with Aluminum Frame & 21" > with Robust Steel Frame
- Black Padded Arm Pads
- Anti-Tip Rollers
- 6" Brake Extensions
- Overall Wheelchair Width: 27" (18" Seat Width Unfolded)
18" (18" Seat Width folded)

SPECIFICATIONS	GLYDER
SEAT WIDTH:	14" TO 20" ALUMINUM FRAME, 21" > ROBUST STEEL FRAME
SEAT DEPTH:	14" TO 24"
SEAT HEIGHT (ADJUSTABLE):	12.5" TO 18.25"
REAR WHEEL:	20", 22" OR 24" COMPOSITE URETHANE
CASTER SIZE:	4", 5", 6" OR 8" URETHANE
BACK STYLE:	19" TO 22" LOW, 22" TO 25" HIGH SLIP ON BACK UPHOLSTERY
FRONT RIGGING:	SWING AWAY, DUAL SWING AWAY OR ELEVATING LEG RESTS
BACK ANGLE (ADJUSTABLE):	0°, 5°, 10° OR 15°
BACK HEIGHT RANGE:	15" TO 24"
WEIGHT CAPACITY:	Up to 600 lbs. With client weight package options
WEIGHT OF CHAIR:	31 lbs.

GLYDER
FOLDING WHEELCHAIR



Learn more about this product by scanning the QR Code



MP5

POWER WHEELCHAIR



ADP CODE: WPA3WM005

The MP5 wheelchair provides power and effortless maneuverability. This chair offers fast, easy and safe transportation. It is ideal for users looking for a bit more independence in getting around.



Single Drive PNG Joystick



Adjustable Rear Suspension



On Board Circuit Breaker



Neutral Levers To
Manually Maneuver
Power Chair



Height And Depth
Adjustable Seat Package



Standard Flip Up Foot board

CUSTOMIZE ANYTHING

Power Plus Mobility's advanced machinery specializes in manufacturing custom parts to customers' specifications from either a drawing or a sample. The parts we manufacture can be simple or more complex and can be manufactured in small or large quantities. Contact your local sales representative with your specifications.

MPS

 **POWER PLUS MOBILITY**
Welcome home

STANDARD FEATURES

- Agile & Versatile Mid Wheel Drive Design
- Active Anti-Tippers & Suspension System
- Tight Turning Radius Of 24"
- 350 lbs Load Capacity
- Fully Programmable P & G VSI Controller
- Standard Flip Up Foot board
- Compact Adjustable Height
- Ergonomically Designed Captain Seat
- Rehab Frame Also Available
- Flip Back Arms

SPECIFICATIONS	MP5
OVERALL LENGTH:	42"
OVERALL WIDTH:	25"
WEIGHT CAPACITY:	350 lbs.
SEATING:	18"/20" CAPTAIN SEAT. REHAB FRAME 14" TO 26"
BATTERY SPECS.:	12V 50A x 2 PCS
CONTROLLER TYPE:	P & G FULL PROGRAMMABLE
CHARGER TYPE:	5 AMP, OFF BOARD 120/240 VOLT
MAX SPEED:	8 km/h OR 5 MPH
WEIGHT WITH BATTERY:	215 lbs.
WEIGHT WITHOUT BATTERY:	150 lbs.
DRIVE WHEEL:	12" x 4" SEMI PNEUMATIC
FRONT CASTER:	8" x 2" SEMI PNEUMATIC
BATTERY RANGE:	35 km (22 mi)
MOTOR TYPE:	4600 RPM 450W 32:1
SUSPENSION:	REAR CASTER
TURNING RADIUS:	24"

MPS
POWER WHEELCHAIR



Learn more about this product by scanning the QR Code



HORIZON

NON-TILT COMMODOE

STAINLESS STEEL



Our commodes are made with materials such as stainless steel, Tek-4 and Polyurethane (Non-Porous) to ensure they are Anti-Microbial and easy to clean.

Commode frame, metal components and casters are rust proof with stainless steel for long life and durability.

AVAILABLE TEK-4 SEATING AND ACCESSORIES

Tek Stretch 4 is Fluid Proof PU Film laminated to 100% polyester knit T-jersey. 4-way stretch and treated with antimicrobial/antibacterial finish.

AADL CODE: G036 / G065

The HORIZON commode excels in quality and functionality. This chair gives users the ability to comfortably carry out their daily personal care routine safely and effectively. It is built with heavy duty materials and quality assembly for durability.



Black molded sanitary cover

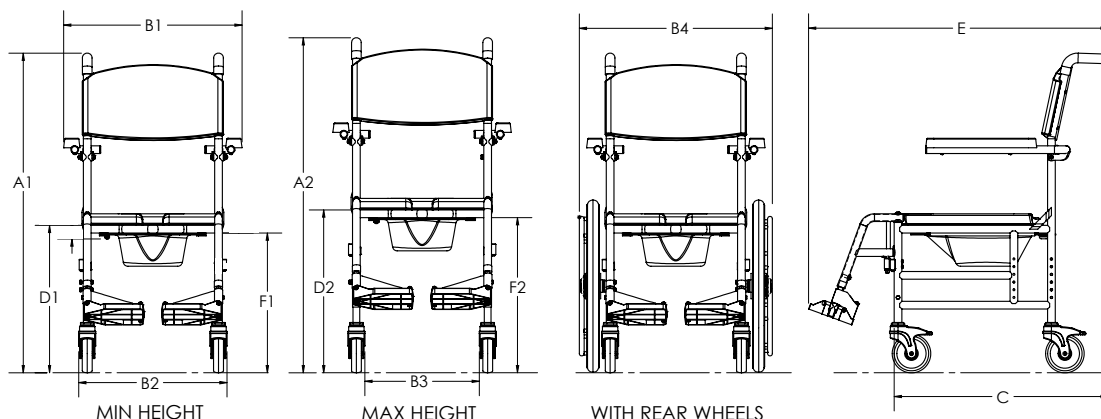


Optional Swing In And Swing Out Front Rigging



Optional Self propelling wheels

Welcome home



		B1	B2	B3	B4
	CHAIR WIDTH (")	(ARM PAD)	(OUTSIDE CASTER)	(INSIDE CASTER)	(REAR WHEEL)
H1	14	19.188	15.268	10.858	21.098
	15	20.188	16.268	11.858	22.098
	16	21.188	17.268	12.858	23.098
	17	22.188	18.268	13.858	24.098
	18	23.188	19.268	14.858	25.098
H2	19	24.188	20.268	15.858	26.098
	20	25.188	21.268	16.858	27.098
	21	26.188	22.268	17.858	28.098
H3	22	27.188	23.268	18.858	29.098
	23	28.188	24.268	19.858	30.098
	24	29.188	25.268	20.858	31.098
	25	30.188	26.268	21.858	32.098
	26	31.188	27.268	22.858	33.098

	E (OVERALL DEPTH WITH FOOTREST)				C
CHAIR DEPTH (")	60° FOOTREST	70° FOOTREST	80° FOOTREST	90° FOOTREST	(NO FOOTREST)
16	38.751	36.951	34.974	32.885	25.823
18	40.751	38.951	36.974	34.885	27.823
20	42.751	40.951	38.974	36.885	29.823

A1 (OVERALL MIN HT.)	41.552
A2 (OVERALL MAX HT.)	43.552

	NO SEAT	REG. SEAT	SOFT SEAT
D1 (SEAT MIN HT.)	19.164	20.664	21.789
D2 (SEAT MAX HT.)	21.164	22.664	23.789

	NO BRACKET	BRACKET	BUCKET
F1 (PAN MIN CLEARANCE)	18.164	17.405	13.851
F2 (PAN MAX CLEARANCE)	20.164	19.405	15.851

POWERPLUS

HORIZON 1

All Features Of Horizon Are The Following :

- Weight capacity 250 lbs.
- 18" X 18" Easy to clean urethane seat
- Seat width by frame 18"
- Overall width 23"
- Rear axle receiver ready
- Stainless steel frame - water resistant
- 20" Back height
- Black urethane easy to clean back rest
- Black molded sanitary cover
- Flip back arms
- Black urethane easy to clean arm pads
- 6" X 10" X 14" Large bucket
- 4" X 5" Rust resistant nylon casters (3 Total locking casters and 1 directional lock caster)
- Water proof headrest
- 70° footrest
- Weight of chair: ≈ 37 lbs.

UP CHARGE OPTIONS

- 14" To 20" Seat depth
- 21" To 26" Seat depth
- 14" To 17" Seat width
- 23" To 26" Seat width
- Custom back height
- Capacity 750 to 1000 lbs.
- Tension back
- Lock down flip back arms
- Closed oval soft seat 18" to 22"
- Key hole soft seat 18" to 22"
- 60° footrest
- 80° footrest
- 90° footrest
- Elevating leg rest (not water proof)
- Angle adjustable footplates (not water proof)
- One piece foot board
- Seat belt (plastic)
- Height adjustable casters
- Custom seat to floor height
- Custom soft seats
- Self propelling wheels

HORIZON 2

All Features Of Horizon 1 Plus The Following:

- Weight capacity 350 lbs.
- 18" X 18" Easy to clean urethane seat
- Seat width by frame 20"
- Overall width 25"
- Heavy duty construction
- Weight of chair: ≈ 39 lbs.

HORIZON 3

All Features Of Horizon 1 Plus The Following:

- Weight capacity 450 lbs.
- 21" X 18" Easy to clean urethane seat
- Seat width by frame 22"
- Overall width 27"
- Extra heavy duty construction
- Weight of chair: ≈ 41 lbs.

Seat Heights

- 24" Wheels X 5" Casters = 21" Seat to Floor Height

Wheel Option: Self Propelling Wheels

- 24" Wheels/ 5" Casters

Warranty: 5 Years On Frame

- 1 Year on components



Learn more about this product by scanning the QR Code



HORIZON TILT

TILT COMMODE

STAINLESS STEEL



Our commodes are made with materials such as stainless steel, Tek-4 and Polyurethane (Non-Porous) to ensure they are Anti-Microbial and easy to clean.

Commode frame, metal components and casters are rust proof with stainless steel for long life and durability.

AVAILABLE TEK-4 SEATING AND ACCESSORIES

Tek Stretch 4 is Fluid Proof PU Film laminated to 100% polyester knit T-jersey. 4-way stretch and treated with antimicrobial/antibacterial finish.

AADL CODE: G014 / G067

The HORIZON TILT gives users the ability to comfortably carry out their daily personal care routine safely and effectively. The HORIZON TILT serves similar functions as the Horizon regular commode but has the added bonus of the tilt feature. This option gives users a risk-free change in seating positioning.



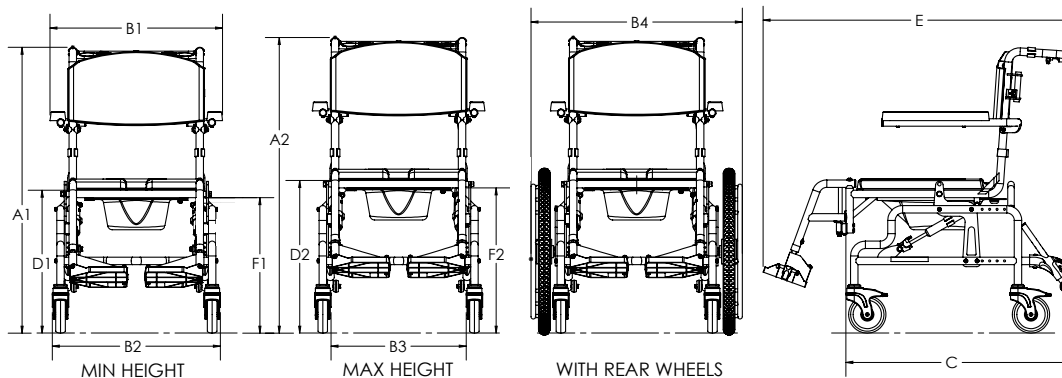
Black molded sanitary cover



Optional Swing In And Swing Out Front Rigging



Optional Self propelling wheels



		B1	B2	B3	B4
	CHAIR WIDTH (")	(ARM PAD)	(OUTSIDE CASTER)	(INSIDE CASTER)	(REAR WHEEL)
H1	14	19.188	18.580	14.170	24.400
	15	20.188	19.580	15.170	25.400
	16	21.188	20.580	16.170	26.400
	17	22.188	21.580	17.170	27.400
	18	23.188	22.580	18.170	28.400
H2	19	24.188	23.580	19.170	29.400
	20	25.188	24.580	20.170	30.400
	21	26.188	25.580	21.170	31.400
H3	22	27.188	26.580	22.170	32.400
	23	28.188	27.580	23.170	33.400
	24	29.188	28.580	24.170	34.400
	25	30.188	29.580	25.170	35.400
	26	31.188	30.580	26.170	36.400

	E (OVERALL DEPTH WITH FOOTREST)				C
CHAIR DEPTH (")	60° FOOTREST	70° FOOTREST	80° FOOTREST	90° FOOTREST	(NO FOOTREST)
16	41.215	39.416	37.439	35.350	28.287
18	43.215	41.416	39.439	37.350	30.287
20	45.215	43.416	41.439	39.350	32.287

A1 (OVERALL MIN HT.)	38.402
A2 (OVERALL MAX HT.)	39.715

	NO SEAT	REG. SEAT	SOFT SEAT
D1 (SEAT MIN HT.)	19.202	20.702	21.827
D2 (SEAT MAX HT.)	20.514	22.014	23.139

	NO BRACKET	BRACKET	BUCKET
F1 (PAN MIN CLEARANCE)	18.202	17.443	13.889
F2 (PAN MAX CLEARANCE)	19.514	18.755	15.201

HORIZON 1 TILT

All Features Of Horizon 1 Tilt Are The Following :

- Weight capacity 250 lbs.
- 18" x 18" Easy to clean urethane seat
- Seat width by frame 18"
- Overall width 23.5"
- Rear axle receiver ready
- Silver powder coated finish
- Black urethane contour headrest
- 30° of tilt
- Black urethane easy to clean back rest
- Black molded sanitary cover
- Flip back arms
- Black urethane easy to clean arm pads
- 6" x 10" x 14" Large bucket
- 20" Back height
- 4" x 5" Rust resistant nylon casters (3 total locking casters and 1 directional lock caster)
- 70° Footrest
- Weight of chair: ≈ 46 lbs.

UP CHARGE OPTIONS

- 14" to 20" Seat depth
- 21" to 26" Seat depth
- 14" to 17" Seat width
- 23" to 26" Seat width
- Custom back height
- Capacity 750 to 1000 lbs.
- Tension back
- Lock down flip back arms
- Custom soft seat 18" to 22" (closed oval)
- Custom soft seat 18" to 22" (key hole)
- 60° Footrest
- 80° Footrest
- 90° Footrest
- Elevating leg rest - not water proof
- Angle adjustable footplates - not water proof
- One piece foot board
- Seat belt (plastic)
- Height adjustable casters
- Custom seat to floor height
- Custom soft seats
- Self propelling wheels

HORIZON 2 TILT

All Features Of Horizon 1 Tilt Plus The Following:

- Weight capacity 350 lbs.
- 18" X 18" Easy to clean urethane seat
- Seat width by frame 20"
- Overall width 25.5"
- Heavy duty construction
- Weight of chair: ≈ 49 lbs.

HORIZON 3 TILT

All Features Of Horizon 1 Tilt Plus The Following:

- Weight capacity 450 lbs.
- 21" X 18" Easy to clean urethane seat
- Seat width by frame 22"
- Overall width 27.5"
- Extra heavy duty construction
- Weight of chair: ≈ 51 lbs.

Seat Heights

- 24" Wheels X 5" Casters = 21" Seat to Floor Height

Wheel Option: Self Propelling Wheels

- 24" Wheels/ 5" Casters

Warranty: 5 Years On Frame

- 1 Year on components



Learn more about this product by scanning the QR Code

HORIZON TILT
COMMODE

CUSTOMIZE ANYTHING

POWER PLUS MOBILITY'S advanced machinery specializes in manufacturing custom parts to customers' specification from either a drawing or a sample. The parts we manufacture can be simple or more complex and can be manufactured in small or large quantities.

Contact your local sales representative with your specifications.



WHEELCHAIR BOOKLET

SIT BACK AND RELAX

Scan to download this booklet



POWER PLUS MOBILITY INC.
50 Malcolm Rd, Guelph, ON N1K 1A9
<https://powerplusmobility.com>
csr@powerplusmobility.com