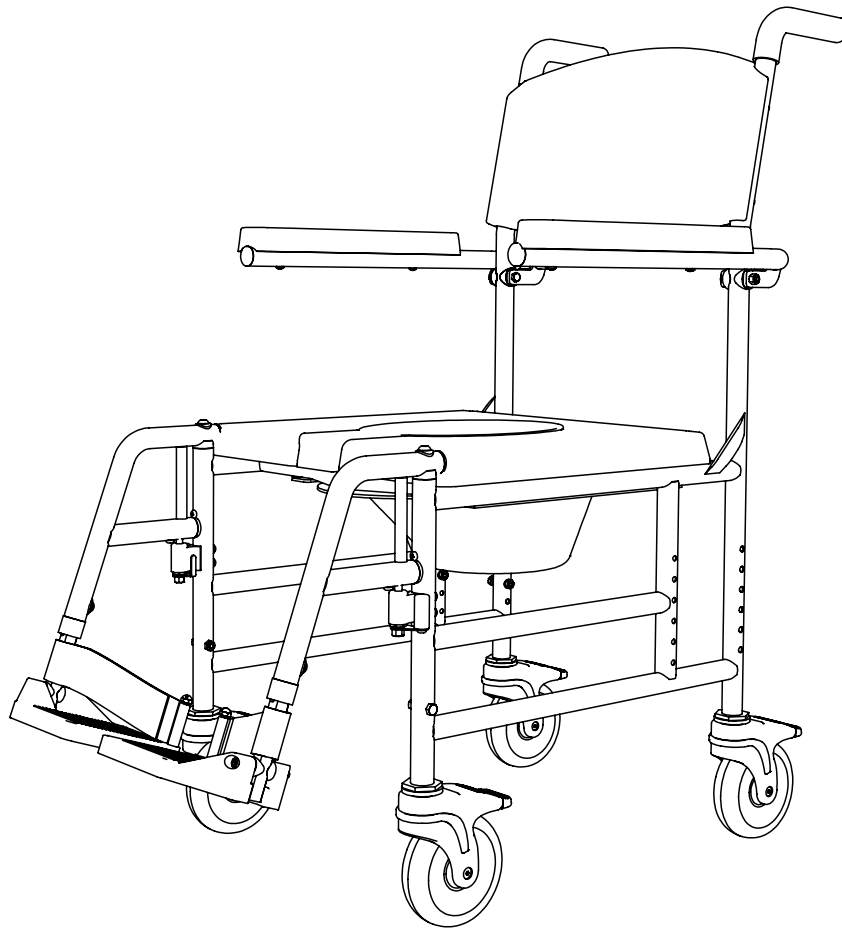


COMMODE

HORIZON

HORIZON

PARTS BOOK



CONTENTS

FRAMES

HORIZON - FRAME	4
-----------------------	---

SEATS

HORIZON - POLYURETHANE SEAT	6
HORIZON - BUCKET	7

ARMS

COMMODE - ARM REST	8
COMMODE - LOCK DOWN ARM	9

FOOTRESTS

COMMODE - PIVOT FOOTREST	10
COMMODE - PIN-STYLE FOOTREST	12
HORIZON - PIVOT FOOTREST RECEIVER	14
HORIZON - PIN-STYLE FOOTREST RECEIVER	15

HEADRESTS

COMMODE - HEADREST	16
LATERAL SWING AWAY	17

PLATES & AXLES

HORIZON - AXLE PLATE	18
----------------------------	----

CASTERS

COMMODE - CASTERS AND FORKS	19
-----------------------------------	----

ACCESSORIES

COMMODE - SEAT BELT	20
---------------------------	----

BACKS

HORIZON - POLYURETHANE BACK	21
-----------------------------------	----

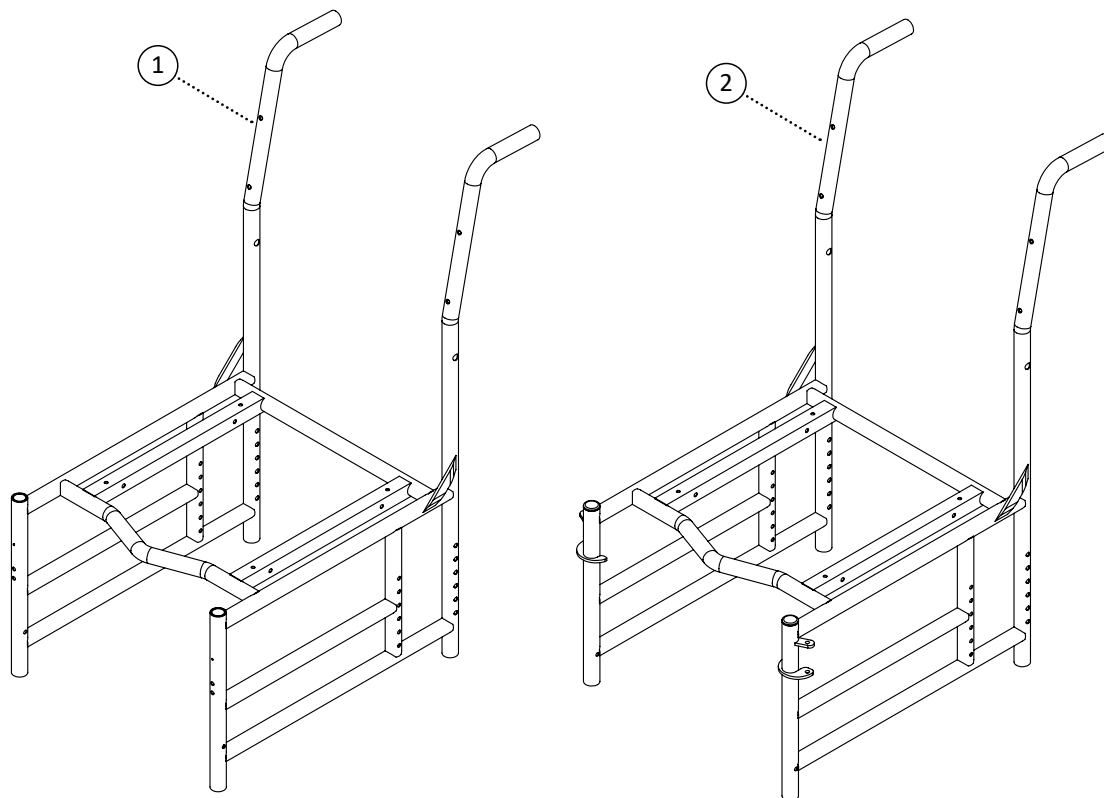
REFERENCE INDEX

At Power Plus Mobility, we care!

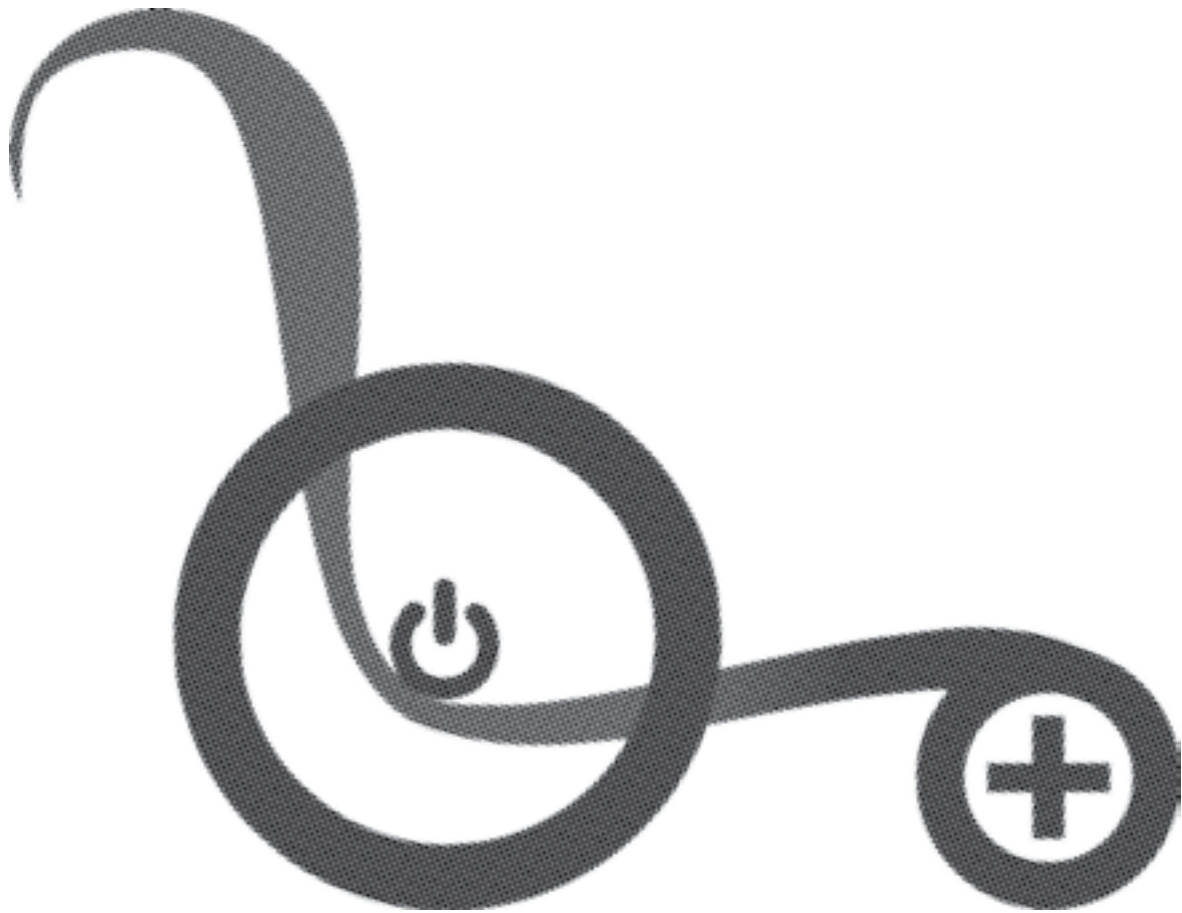
Thank you for choosing a wheelchair from Power Plus Mobility Inc. We are always improving in our ways to serve you better and would love to hear your questions or comments about our literatures, the reliability of our chairs and service you received while making the decision of choosing our wheelchair. Please feel free to contact us via our email address: customer@powerplusmobility.com

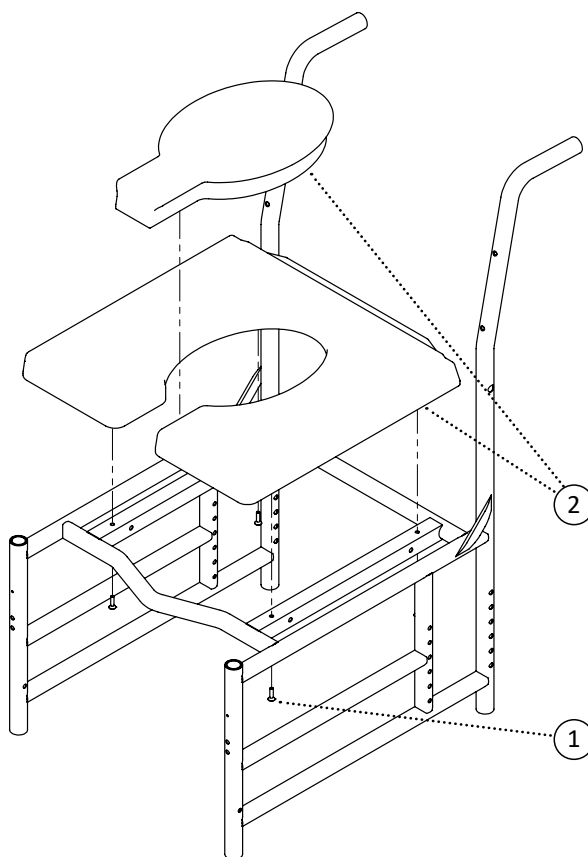
QUESTIONS REGARDING YOUR WHEELCHAIR?

The best way to get your questions answered is by your authorized wheelchair dealer since they know your wheelchair and have the training for it. Please fill in your dealers information below so you have it handy just in case you have any questions or concerns about your wheelchair. Your dealer will guide you on the right direction to take any further steps.

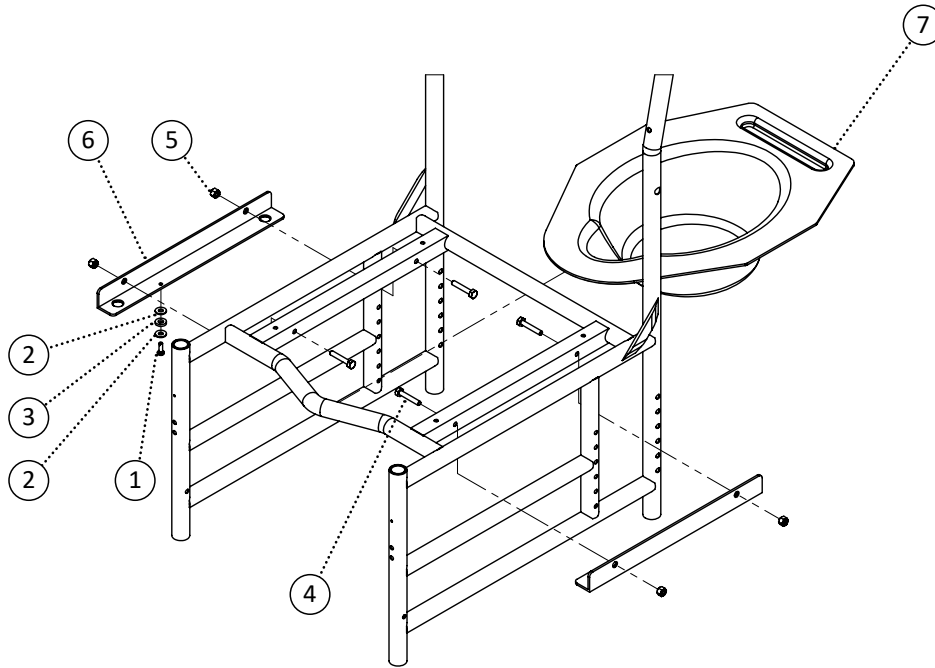


Item	REF Number	Description	Quantity	MSRP	Notes
1	548528	PPM, Horizon Frame Pivot	1		
2	548527	PPM, Horizon Frame Pin Style	1		

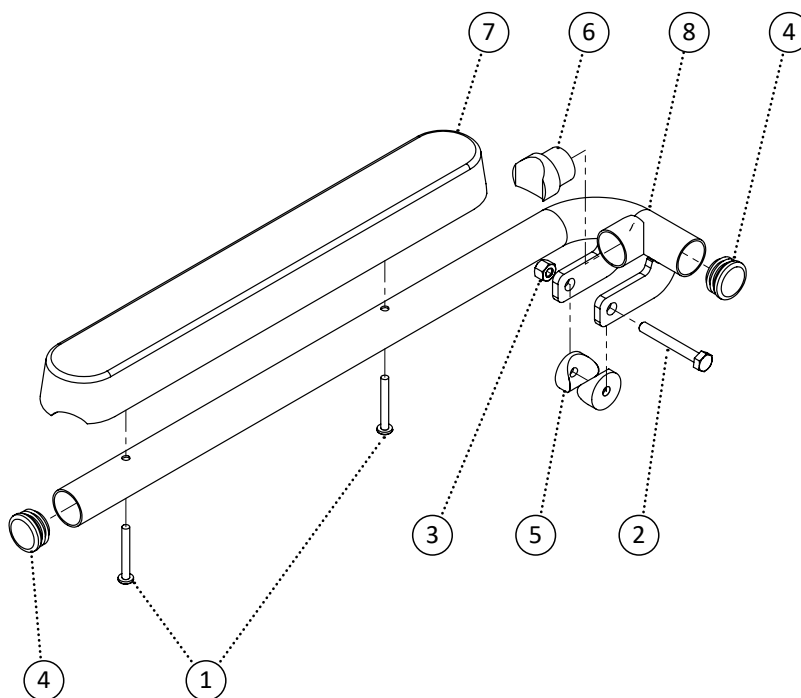




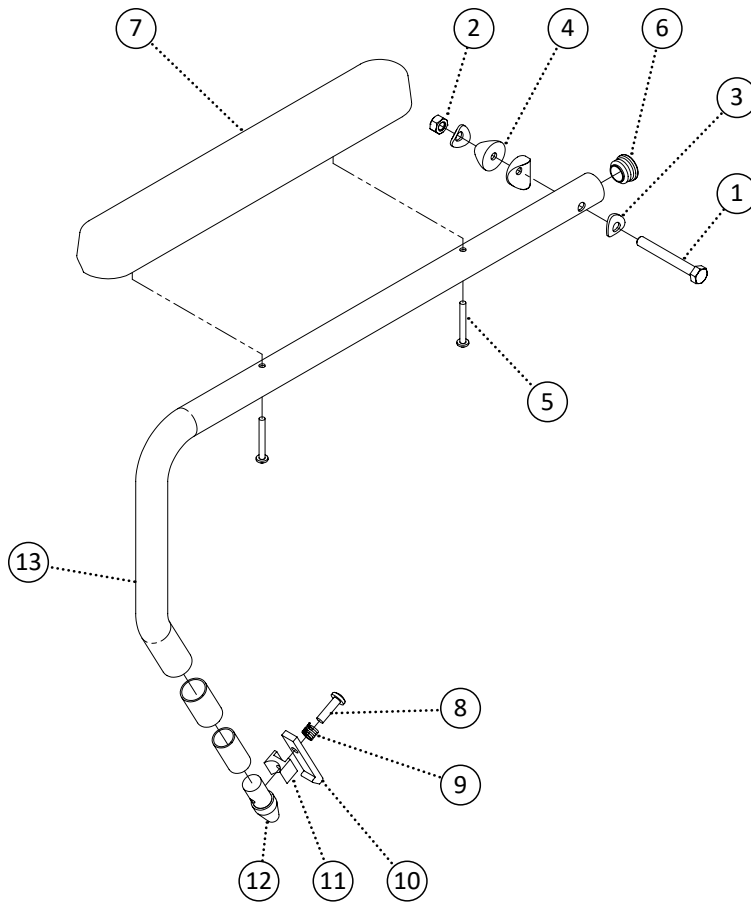
Item	REF Number	Description	Quantity	MSRP	Notes
1	549324	Screw, Flat Head 10-32 x 3/4	4		
2	549383	Seat Pan, Commode Polyurethane Seat Pan and Cover	1		
1-2	548782	Kit, Polyurethane Seat Complete Kit	1		



Item	REF Number	Description	Quantity	MSRP	Notes
1	549366	Screw, Round Head Tapping Screw 3/16-32 x 3/4	1		
2	549429	Washer, Nylon Washer 1/4 ID. x 5/8 OD. x .062thk	2		
3	549431	Washer, Nylon Washer 5/16 ID. x 5/8 OD. x .125thk	1		
4	549328	Screw, Hex Bolt 1/4-20 x 1-1/2 Stainless	4		
5	548860	Nut, Nylon Lock Nut 1/4-20 Stainless	4		
6	548418	Bracket, Bucket Hanger	2		
7	548456	Bucket, Sanitary Commode Bucket 6" X 10" X 14"	1		
1-7	548785	Kit, Seat Pan Complete Kit	1		

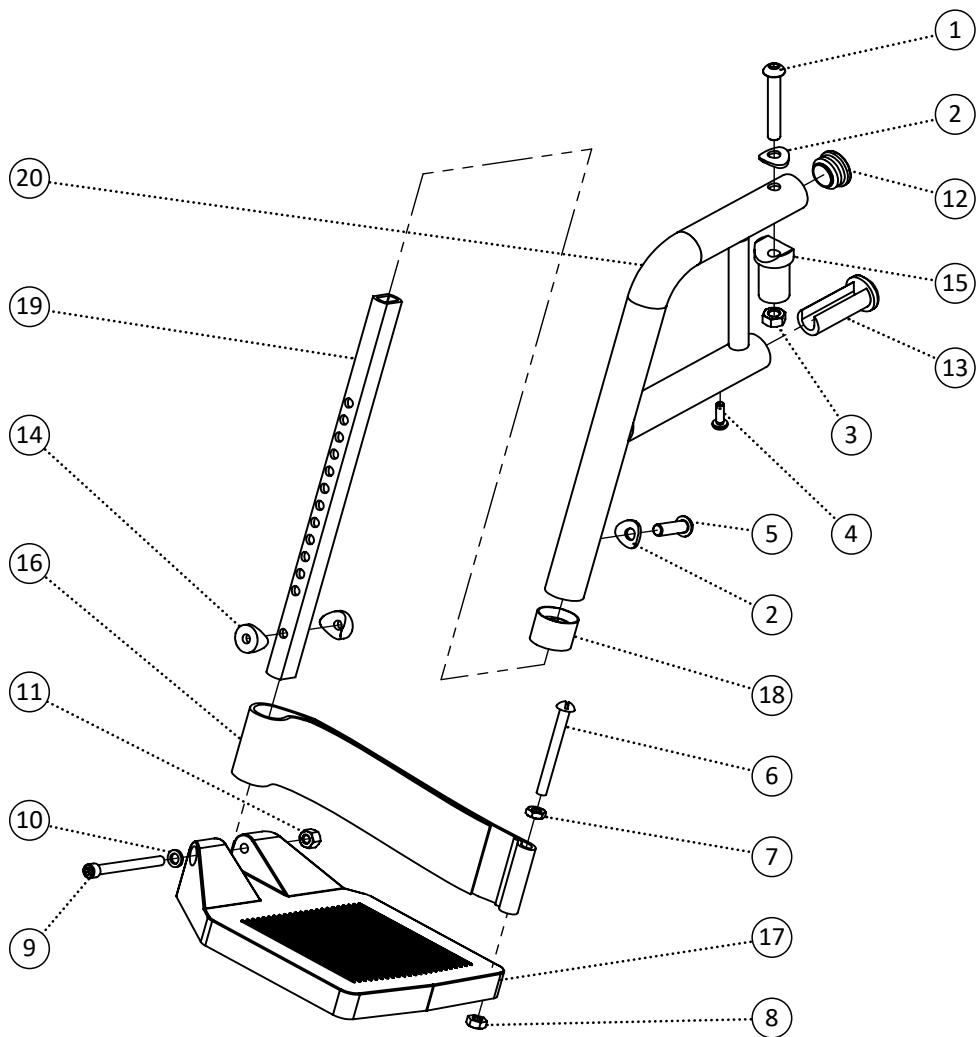


Item	REF Number	Description	Quantity	MSRP	Notes
1	549359	Screw, Round Head 10-24 x 1-1/2 Stainless	2		
2	549332	Screw, Hex Bolt 1/4-20 x 2 Stainless	1		
3	548860	Nut, Nylon Lock Nut 1/4-20 Stainless	1		
4	548496	Cap, Round Plug 1 x 18ga	1		
5	549433	Washer, Radius Washer 1/4 ID. x 1 OD. x 1cu	2		
6	548489	Cap, Cap 1-1/8 x 1cu	1		
7	548882	Padding, Polyurethane Armrest	1		
8	549103	PPM, Horizon Arm Top	1		
1-8	548691	Kit, Commode Armrest Complete Kit	1		

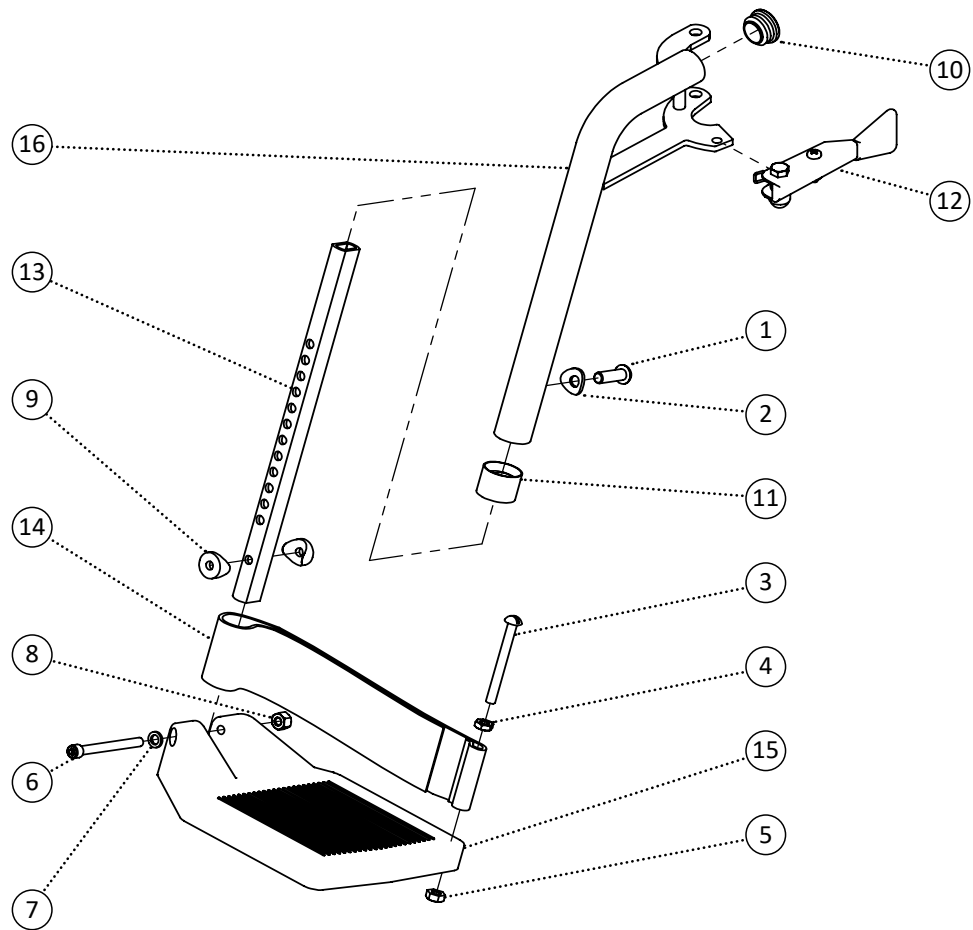


Item	REF Number	Description	Quantity	MSRP	Notes
1	550115	Screw, Hex Bolt 5/16-18 x 2-1/2 Stainless	1		
2	548863	Nut, Nylon Lock Nut 5/16-18 Stainless	1		
3	549413	Washer, Curved Washer .323 ID. x 3/4 OD. x .07thk	2		
4	549433	Washer, Radius Washer 1/4 ID. x 1 OD. x 1cu	2		
5	549359	Screw, Round Head 10-24 x 1-1/2 Stainless	2		
6	548496	Cap, Round Plug 1 x 18ga	1		
7	548882	Padding, Polyurethane Armrest	1		
8	549355	Screw, Pan Head Thread Screw Quadrex 1/4-14 x 1	1		
9	549396	Spring, Lever Compression Spring	1		
10	548417	Bracket, Arm Release Lever Aluminum	1		
11	549386	Spacer, Arm Release Lever Mount Block	1		
12	548483	Cap, Arm Lead In Locator	1		
13	550116	PPM, Commode Lock Down Arm	1		
1-13	550117	Kit, Commode Lock Down Arm Left Complete	1		
1-13	550118	Kit, Commode Lock Down Arm Right Complete	1		

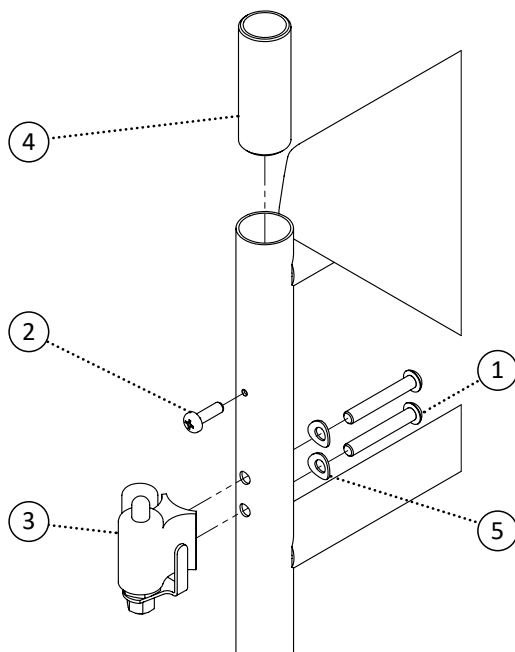
Note: This is for reference only. Contact for part numbers.



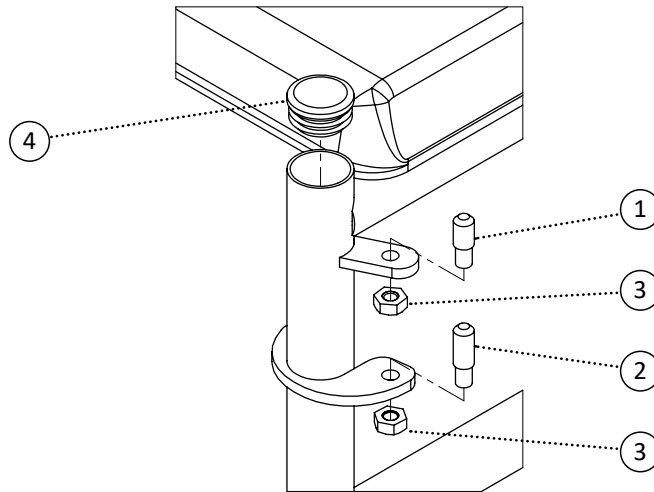
Item	REF Number	Description	Quantity	MSRP	Notes
1	549320	Screw, Button Head Cap Screw M8-1.25 x 50 Stainless	1		
2	549412	Washer, Curved Flat Washer 5/16 Stainless	2		
3	548869	Nut, Nylon Lock Nut M8-1.25 Stainless	1		
4	549381	Screw, Tapping Screw M5-0.8 x 16 Stainless	1		
5	549319	Screw, Button Head Cap Screw M8-1.25 x 25 Stainless	1		
6	549364	Screw, Round Head Square Slotted 1/4-20 x 2-1/2 Stainless	1		
7	548853	Nut, Jam Nut 1/4-20 Stainless	1		
8	548871	Nut, Nylon Lock Nut Thin 1/4-20 Stainless	1		
9	549370	Screw, Socket Head 1/4-20 x 2-1/2 Stainless	1		
10	549421	Washer, Flat Washer 1/4 ID. x 0.4 OD. Stainless	1		
11	548858	Nut, Lock Nut 1/4-20 Stainless	1		
12	548495	Cap, Round Plug 1 x 14ga	1		
13	548492	Cap, Footrest Swingaway Pivot 1 x 1/8wt x 1	1		
14	549437	Washer, Radius Washer 3/4 (1/4 ID. x 3/4 OD. x 3/4cu)	1		
15	548462	Bushing, Footrest Vertical Pivot (5/16 ID. x 1 OD. x 1cu)	1		
16	549400	Strap, Heel Loop Strap	1		
17	548525	Footplate, Composite Footplate	1		
18	548491	Cap, Footrest End Cap 1	1		
19	548518	Extension, Aluminum Footrest Extension	1		
20	548993	PPM, Commode Pivot Footrest 60 Degree	1		
21	548994	PPM, Commode Pivot Footrest 70 Degree	1		
22	548995	PPM, Commode Pivot Footrest 80 Degree	1		
23	548996	PPM, Commode Pivot Footrest 90 Degree	1		
1-19,20	548772	Kit, Pivot Footrest 60 Degree Complete Kit	1		
1-19,21	548773	Kit, Pivot Footrest 70 Degree Complete Kit	1		
1-19,22	548776	Kit, Pivot Footrest 80 Degree Complete Kit	1		
1-19,23	548777	Kit, Pivot Footrest 90 Degree Complete Kit	1		



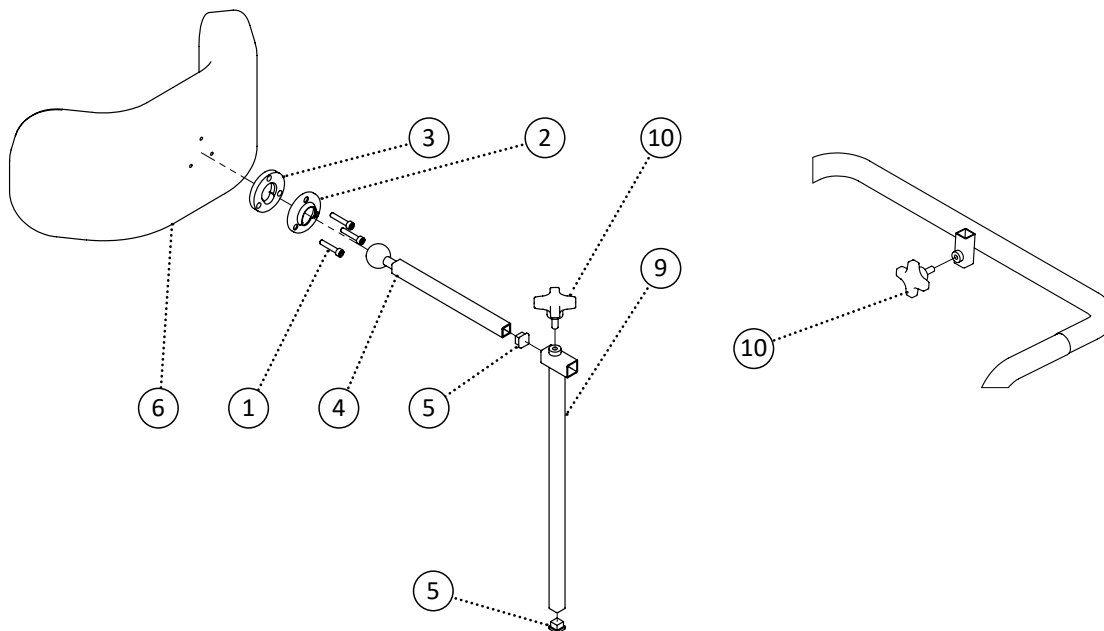
Item	REF Number	Description	Quantity	MSRP	Notes
1	549319	Screw, Button Head Cap Screw M8-1.25 x 25 Stainless	1		
2	549412	Washer, Curved Flat Washer 5/16 Stainless	2		
3	549364	Screw, Round Head Square Slotted 1/4-20 x 2-1/2 Stainless	1		
4	548853	Nut, Jam Nut 1/4-20 Stainless	1		
5	548871	Nut, Nylon Lock Nut Thin 1/4-20 Stainless	1		
6	549370	Screw, Socket Head 1/4-20 x 2-1/2 Stainless	1		
7	549421	Washer, Flat Washer 1/4 ID. x 0.4 OD. Stainless	1		
8	548858	Nut, Lock Nut 1/4-20 Stainless	1		
9	549434	Washer, Radius Washer 1/4 ID. x 3/4 OD. x 3/4cu	2		
10	548495	Cap, Round Plug 1 x 14ga	2		
11	548491	Cap, Footrest End Cap 1	1		
12	548847	Handle, Pin-Style Release Handle Left Stainless	1		
12	548848	Handle, Pin-Style Release Handle Right Stainless	1		
13	548518	Extension, Aluminum Footrest Extension	1		
14	549400	Strap, Heel Loop Strap	1		
15	548525	Footplate, Composite Footplate	1		
16	549441	PPM, Pin Style Commode Footrest 60 Degree Left	1		
17	549442	PPM, Pin Style Commode Footrest 60 Degree Right	1		
18	549443	PPM, Pin Style Commode Footrest 70 Degree Left	1		
19	549444	PPM, Pin Style Commode Footrest 70 Degree Right	1		
20	549445	PPM, Pin Style Commode Footrest 80 Degree Left	1		
21	549446	PPM, Pin Style Commode Footrest 80 Degree Right	1		
22	549447	PPM, Pin Style Commode Footrest 90 Degree Left	1		
23	549448	PPM, Pin Style Commode Footrest 90 Degree Right	1		
3-9,13-15	549457	Kit, Commode Footplate Left Complete	1		
3-9,13-15	549458	Kit, Commode Footplate Right Complete	1		
1-15,16	549449	Kit, Pin Style Commode Footrest 60 Degree Left Complete	1		
1-15,17	549450	Kit, Pin Style Commode Footrest 60 Degree Right Complete	1		
1-15,18	549451	Kit, Pin Style Commode Footrest 70 Degree Left Complete	1		
1-15,19	549452	Kit, Pin Style Commode Footrest 70 Degree Right Complete	1		
1-15,20	549453	Kit, Pin Style Commode Footrest 80 Degree Left Complete	1		
1-15,21	549454	Kit, Pin Style Commode Footrest 80 Degree Right Complete	1		
1-15,22	549455	Kit, Pin Style Commode Footrest 90 Degree Left Complete	1		
1-15,23	549456	Kit, Pin Style Commode Footrest 90 Degree Right Complete	1		



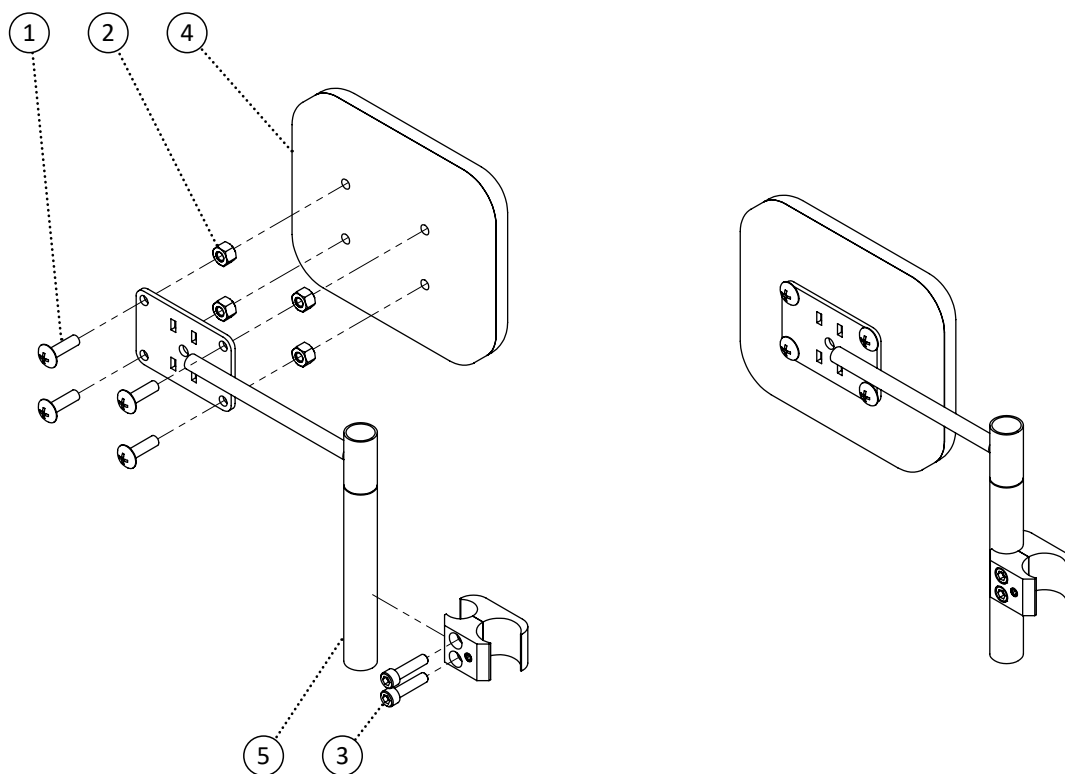
Item	REF Number	Description	Quantity	MSRP	Notes
1	549321	Screw, Button Head M6-1.0 x 40 Stainless	2		
2	549381	Screw, Tapping Screw M5-0.8 x 16 Stainless	1		
3	548850	Locking Pin, Footrest Release Block Assembly	1		
4	548461	Bushing, Footrest Pivot Sleeve	1		
5	549414	Washer, Curved Washer 1/4 ID. x 1/2 OD. x .037thk	2		
1-5	548778	Kit, Pivot Footrest Receiver Complete Kit	1		



Item	REF Number	Description	Quantity	MSRP	Notes
1	548888	Pin, Pin Style Pin 1/4-28 Short Stainless	1		
2	548886	Pin, Pin Style Pin 1/4-28 Long Stainless	1		
3	548873	Nut, Nylon Lock Nut Thin 1/4-28 Stainless	1		
4	548495	Cap, Round Plug 1 x 14ga	1		
1-4	548769	Kit, Pin Style Footrest Receiver Complete Kit	1		

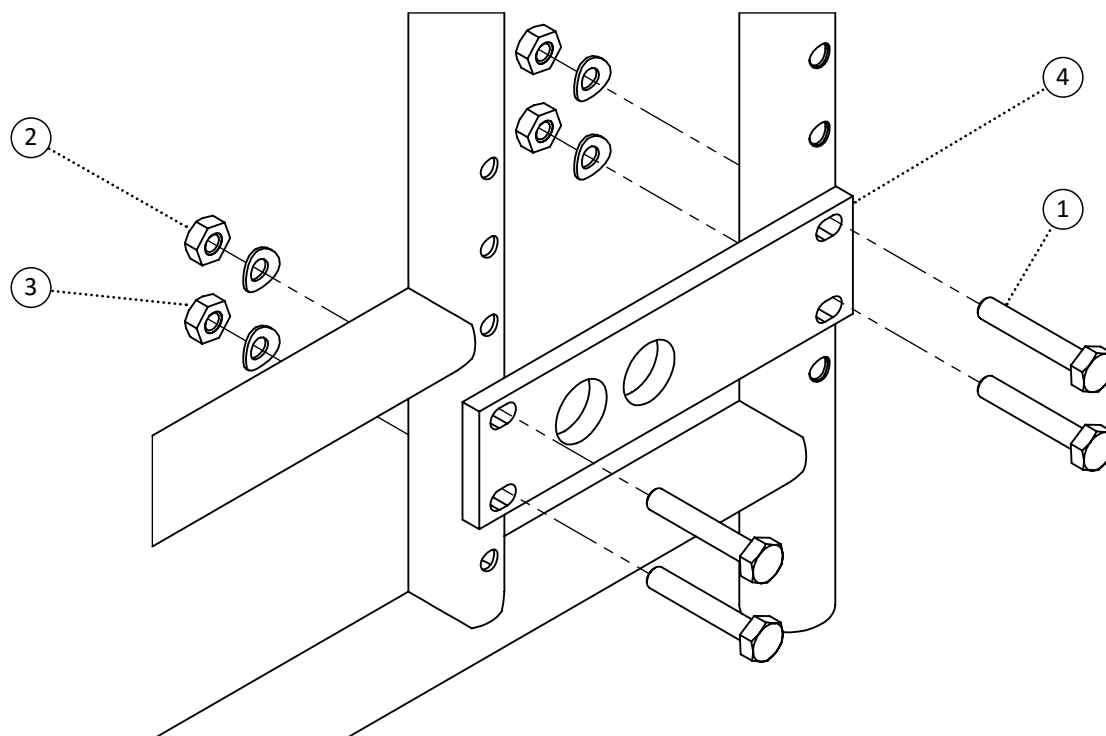


Item	REF Number	Description	Quantity	MSRP	Notes
1	549368	Screw, Socket Cap Screw 10-24 x 1	3		
2	549410	Washer, Ball Joint Receiver	1		
3	549426	Washer, Headrest Washer Stainless	1		
4	549102	PPM, Headrest Ball Joint Extension Stainless	1		
5	548500	Cap, Square Cap 1/2	2		
6	548560	Headrest Pad, Polyurethane Pad Large	1		
7	548561	Headrest Pad, Polyurethane Pad Medium	1		
8	548562	Headrest Pad, Polyurethane Pad Small	1		
9	549109	PPM, Linear Axis Vertical Receiver Stainless	1		
10	548845	Knob, Knob Screw 1/4-20 x 5/8	2		
1-5,6,9-10	548744	Kit, Linear Axis Swivel Polyurethane Large Pad Complete	1		
1-5,7,9-10	548745	Kit, Linear Axis Swivel Polyurethane Medium Pad Complete	1		
1-5,8,9-10	548746	Kit, Linear Axis Swivel Polyurethane Small Pad Complete	1		

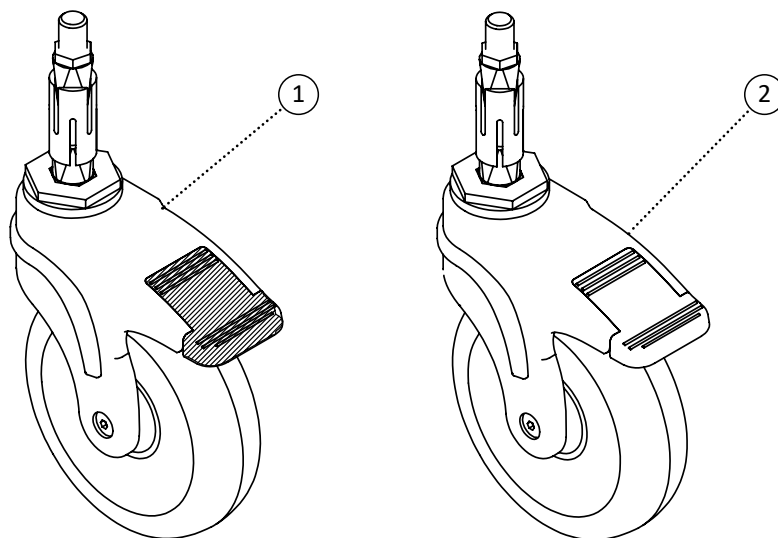


Item	REF Number	Description	Quantity	MSRP	Notes
1	549382	Screw, Truss Head 1/4-20 x 3/4	4		
2	548859	Nut, Nylon Lock Nut 1/4-20	4		
3	548505	Clamp, Aluminum Brake Clamp	1		
4	550121	PPM, Lateral Pad Swing Away	1		
5	550122	PPM, Lateral Swing Away Left Bracket	1		
6	550123	PPM, Lateral Swing Away Right Bracket	1		
1-6	550124	Kit, Lateral Swing Away Left Complete Kit	1		
1-5,7	550125	Kit, Lateral Swing Away Right Complete Kit	1		

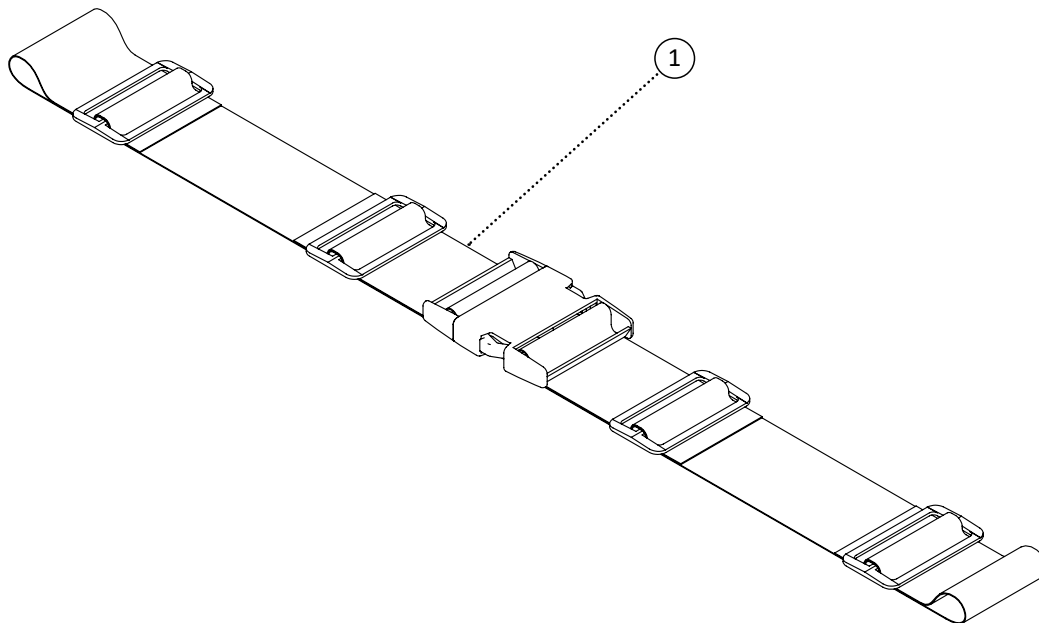
Note: This is for reference only. Contact for part numbers.



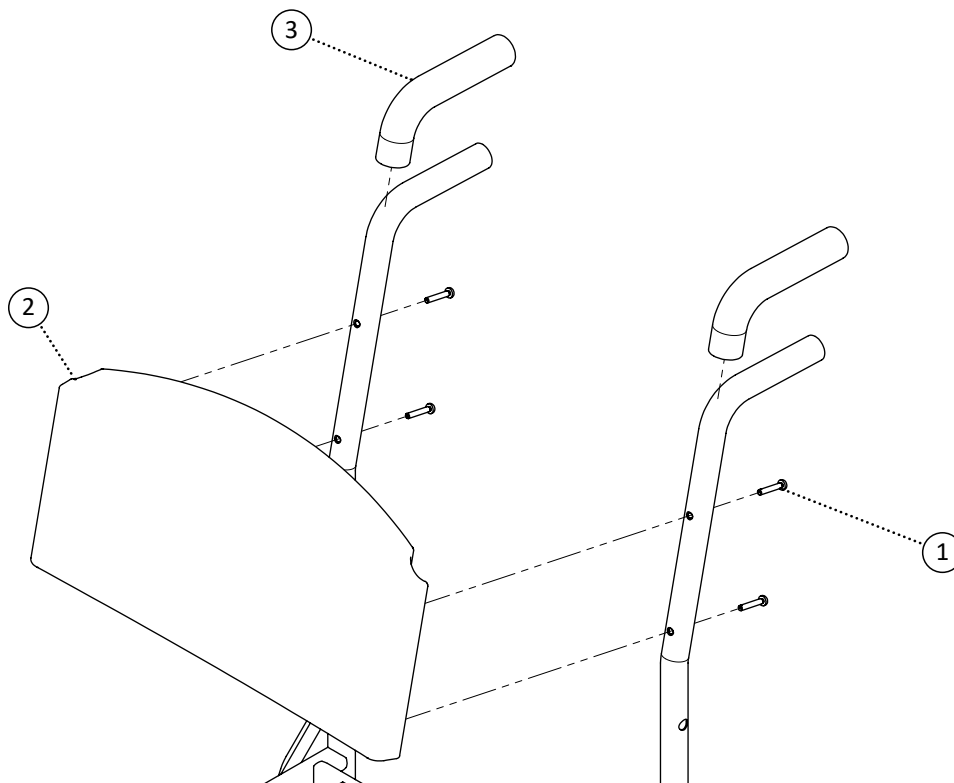
Item	REF Number	Description	Quantity	MSRP	Notes
1	549328	Screw, Hex Bolt 1/4-20 x 1-1/2 Stainless	4		
2	548860	Nut, Nylon Lock Nut 1/4-20 Stainless	4		
3	549411	Washer, Curved Flat Washer 1/4 Stainless	4		
4	548892	Bracket, Horizon Axle Receiver	1		
1-4	548741	Kit, Horizon Tilt Axle Plate Complete Kit	1		



Item	REF Number	Description	Quantity	MSRP	Notes
1	548501	Caster, Directional Lock 5" Caster	1		
2	548502	Caster, Total Lock 5" Caster	1		



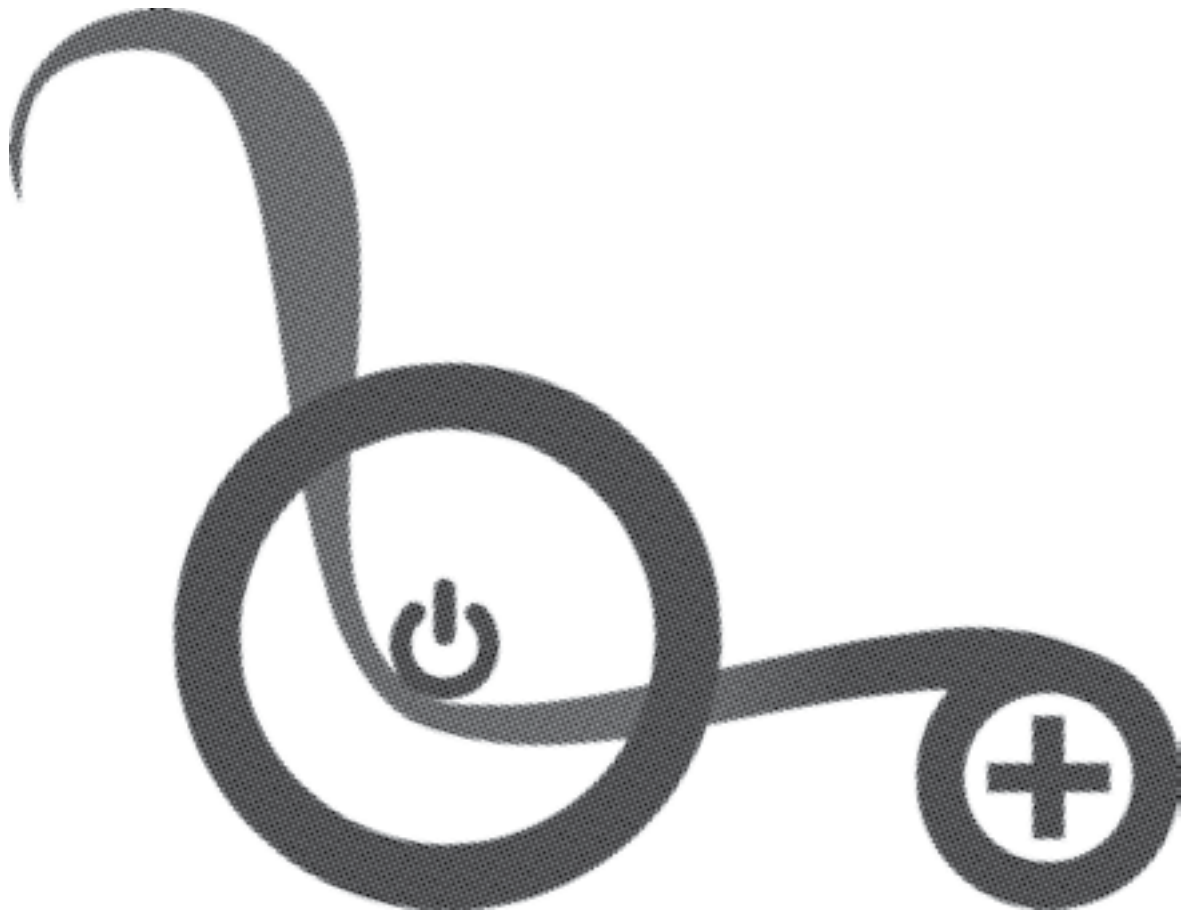
Item	REF Number	Description	Quantity	MSRP	Notes
1	549991	Belt, 2 Strap Plastic Seat Belt 16	1		
2	549992	Belt, 2 Strap Plastic Seat Belt 18	1		
3	549993	Belt, 2 Strap Plastic Seat Belt 20	1		
4	549994	Belt, 2 Strap Plastic Seat Belt 22	1		
5	549995	Belt, 2 Strap Plastic Seat Belt 24	1		
6	549996	Belt, 2 Strap Plastic Seat Belt 26	1		
7	549997	Belt, 2 Strap Plastic Seat Belt 28	1		
8	549998	Belt, 2 Strap Plastic Seat Belt 30	1		



Item	REF Number	Description	Quantity	MSRP	Notes
1	549365	Screw, Round Head Tapping M5-0.8 x 30 Stainless	4		
2	548398	Back, Polyurethane Back	1		
3	548543	Handle, Horizon Rubber Handle	2		
1-2	548781	Kit, Polyurethane Back Complete Kit	1		

REFERENCE INDEX

548398	21	548996	11	549995	20
548417	9	549102	16	549996	20
548418	7	549103	8	549997	20
548456	7	549109	16	549998	20
548461	14	549319	11, 13	550115	9
548462	11	549320	11	550116	9
548483	9	549321	14	550117	9
548489	8	549324	6	550118	9
548491	11, 13	549328	7, 18	550121	17
548492	11	549332	8	550122	17
548495	11, 13, 15	549355	9	550123	17
548496	8, 9	549359	8, 9	550124	17
548500	16	549364	11, 13	550125	17
548501	19	549365	21		
548502	19	549366	7		
548505	17	549368	16		
548518	11, 13	549370	11, 13		
548525	11, 13	549381	11, 14		
548527	4	549382	17		
548528	4	549383	6		
548543	21	549386	9		
548560	16	549396	9		
548561	16	549400	11, 13		
548562	16	549410	16		
548691	8	549411	18		
548741	18	549412	11, 13		
548744	16	549413	9		
548745	16	549414	14		
548746	16	549421	11, 13		
548769	15	549426	16		
548772	11	549429	7		
548773	11	549431	7		
548776	11	549433	8, 9		
548777	11	549434	13		
548778	14	549437	11		
548781	21	549441	13		
548782	6	549442	13		
548785	7	549443	13		
548845	16	549444	13		
548847	13	549445	13		
548848	13	549446	13		
548850	14	549447	13		
548853	11, 13	549448	13		
548858	11, 13	549449	13		
548859	17	549450	13		
548860	7, 8, 18	549451	13		
548863	9	549452	13		
548869	11	549453	13		
548871	11, 13	549454	13		
548873	15	549455	13		
548882	8, 9	549456	13		
548886	15	549457	13		
548888	15	549458	13		
548892	18	549991	20		
548993	11	549992	20		
548994	11	549993	20		
548995	11	549994	20		



HORIZON



POWERPLUSMOBILITY.COM

208 Wilkinson Road | Brampton, ON | Canada L6T 4M4

Telephone (905)-614-0333 | Toll Free 1-(855)-614-0333

Fax (905)-614-0435