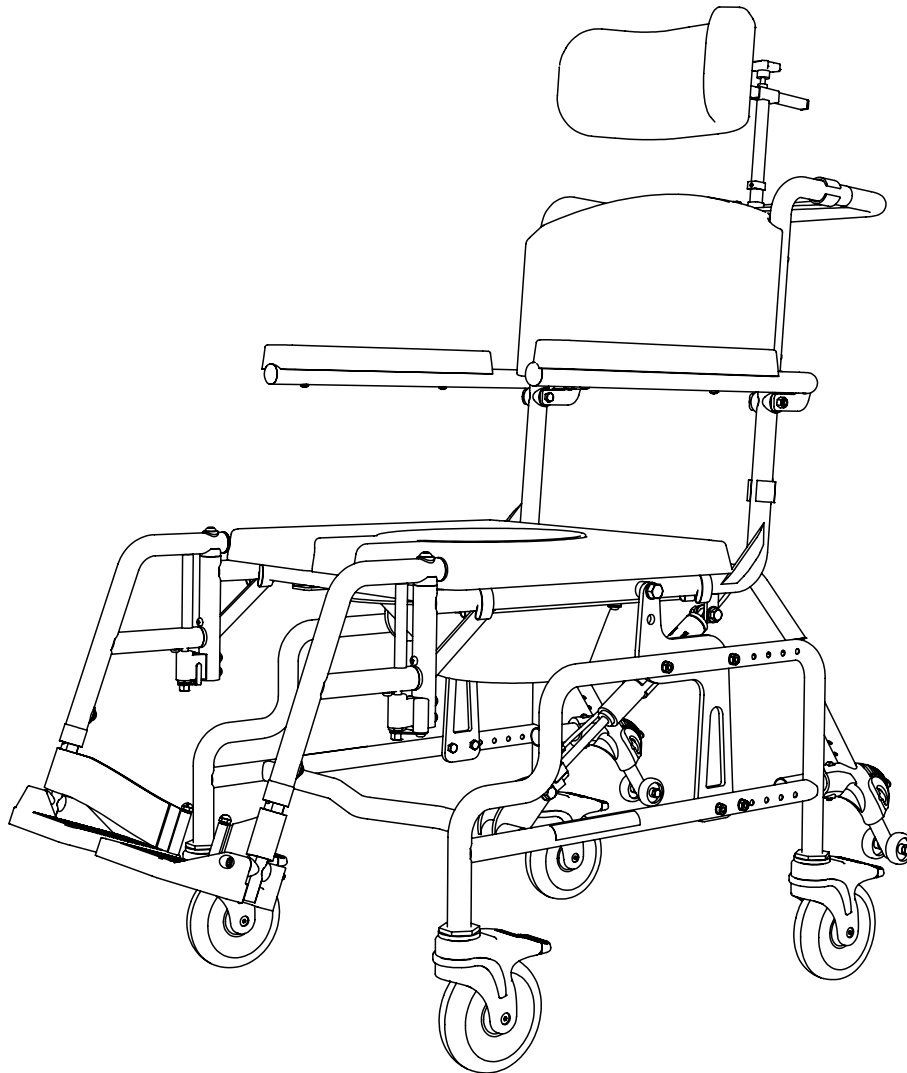


COMMODE

HORIZON-T

HORIZON TILT

PARTS BOOK



CONTENTS

FRAMES

HORIZON-T - FRAME	4
HORIZON-T - TILT BRACKET	5

SEATS

HORIZON-T - POLYURETHANE SEAT	6
HORIZON-T - BUCKET	7

ARMS

COMMODE - ARM REST	8
COMMODE - LOCK DOWN ARM	9

FOOTRESTS

COMMODE - PIVOT FOOTREST	10
COMMODE - PIN-STYLE FOOTREST	12
HORIZON-T - PIVOT FOOTREST RECEIVER	14
HORIZON-T - PIN-STYLE FOOTREST RECEIVER	15

HEADRESTS

COMMODE - HEADREST	16
LATERAL SWING AWAY	17

CYLINDERS

HORIZON-T - CYLINDER, CABLE AND TRIGGER	18
---	----

ANTI-TIPPERS

ANTI-TIPPER (STAINLESS)	19
-------------------------------	----

PLATES & AXLES

HORIZON-T - AXLE PLATE	20
------------------------------	----

CASTERS

COMMODE - CASTERS AND FORKS	21
-----------------------------------	----

ACCESSORIES

BACKS

COMMODE - SEAT BELT	22
HORIZON-T - POLYURETHANE BACK	23

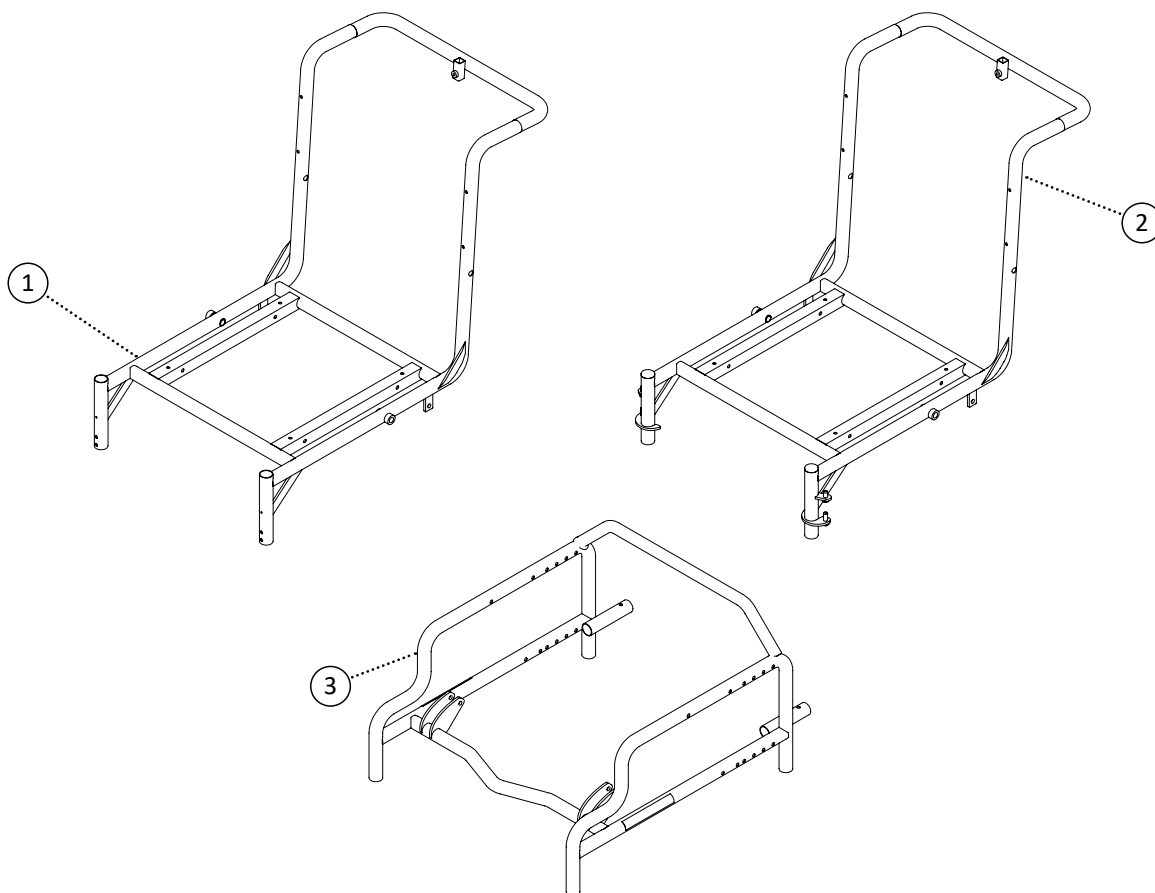
REFERENCE INDEX

At Power Plus Mobility, we care!

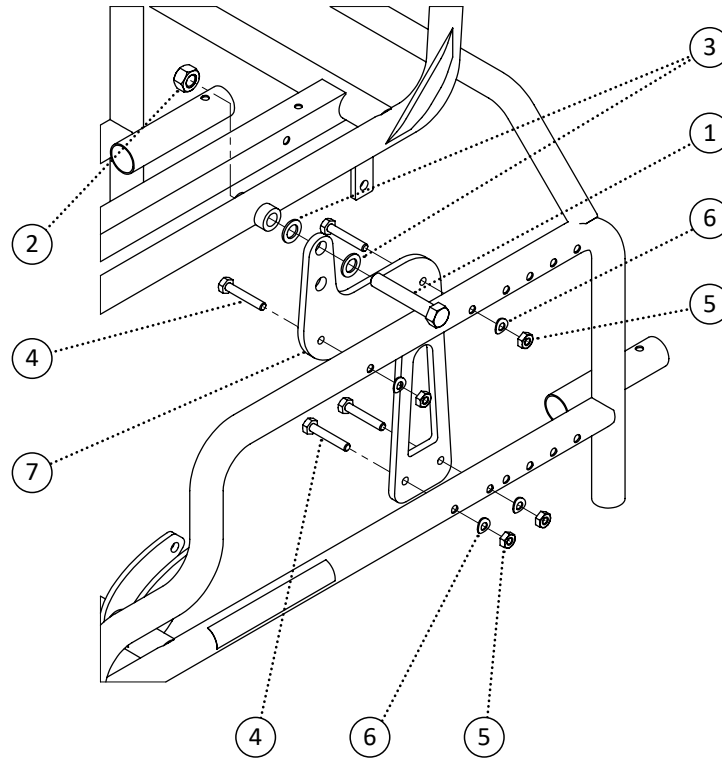
Thank you for choosing a wheelchair from Power Plus Mobility Inc. We are always improving in our ways to serve you better and would love to hear your questions or comments about our literatures, the reliability of our chairs and service you received while making the decision of choosing our wheelchair. Please feel free to contact us via our email address: customer@powerplusmobility.com

QUESTIONS REGARDING YOUR WHEELCHAIR?

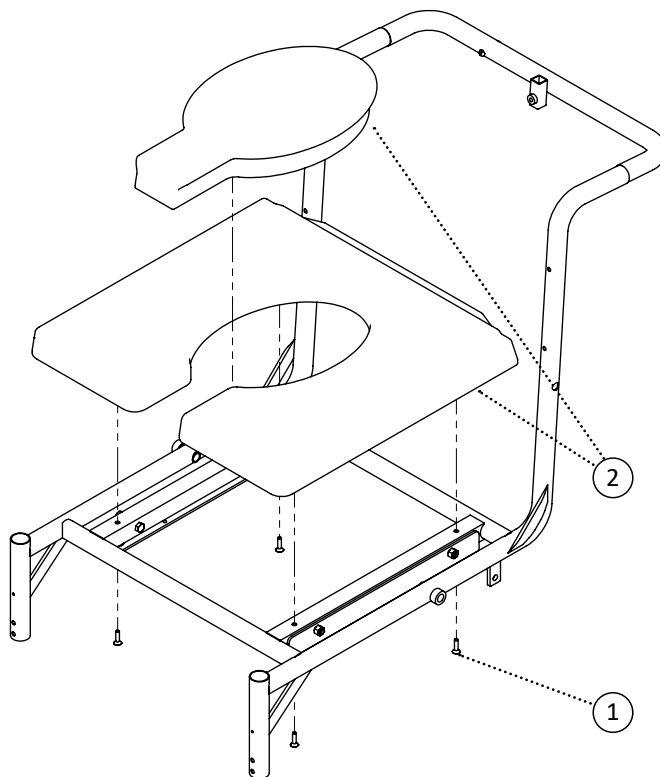
The best way to get your questions answered is by your authorized wheelchair dealer since they know your wheelchair and have the training for it. Please fill in your dealers information below so you have it handy just in case you have any questions or concerns about your wheelchair. Your dealer will guide you on the right direction to take any further steps.



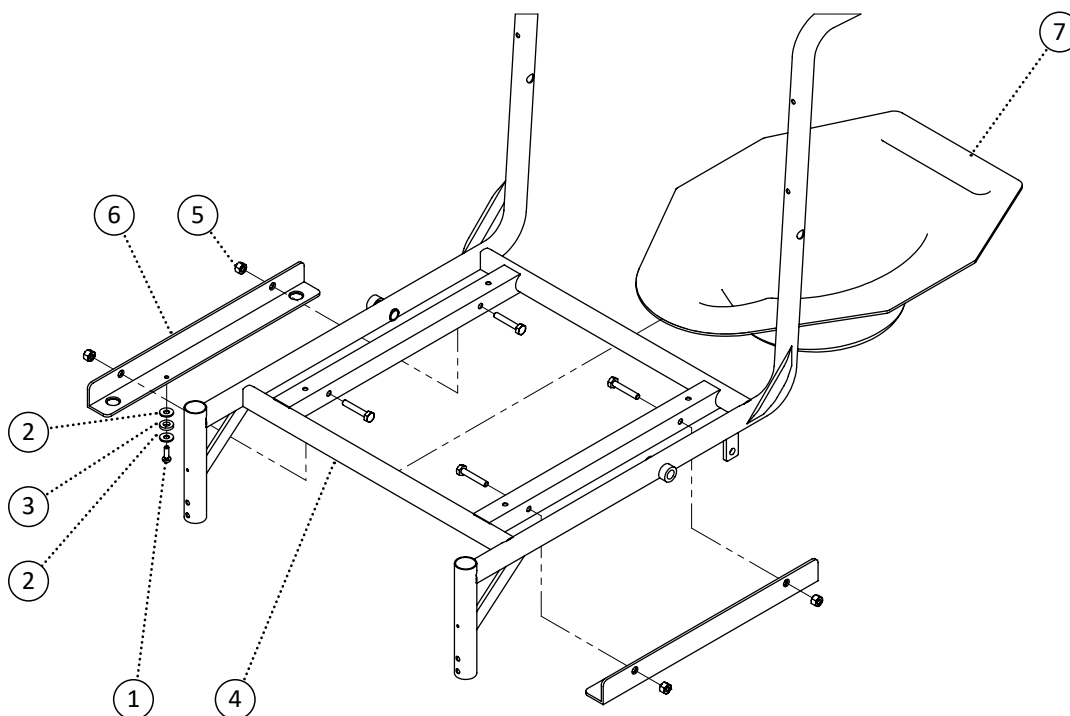
Item	REF Number	Description	Quantity	MSRP	Notes
1	548531	PPM, Horizon Tilt Upper Frame Pivot	1		
2	548530	PPM, Horizon Tilt Upper Frame Pin Style	1		
3	548529	PPM, Horizon Tilt Lower Frame	1		



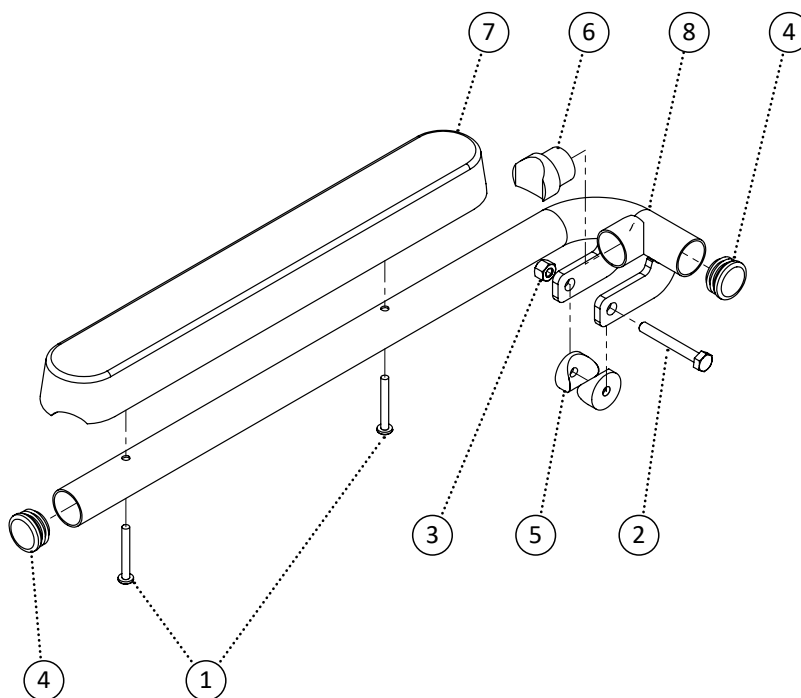
Item	REF Number	Description	Quantity	MSRP	Notes
1	549345	Screw, Hex Bolt 7/16-14 x 2-1/2 Stainless	1		
2	548865	Nut, Nylon Lock Nut 7/16-14 Stainless	1		
3	549432	Washer, Nylon Washer 7/16 ID. x 3/4 OD. x .063thk	2		
4	549328	Screw, Hex Bolt 1/4-20 x 1-1/2 Stainless	4		
5	548871	Nut, Nylon Lock Nut Thin 1/4-20 Stainless	4		
6	549414	Washer, Curved Washer 1/4 ID. x 1/2 OD. x .037thk	4		
7	548428	Bracket, Commode Tilt Bracket	1		
1-7	548692	Kit, Commode Tilt Bracket Complete Kit	1		



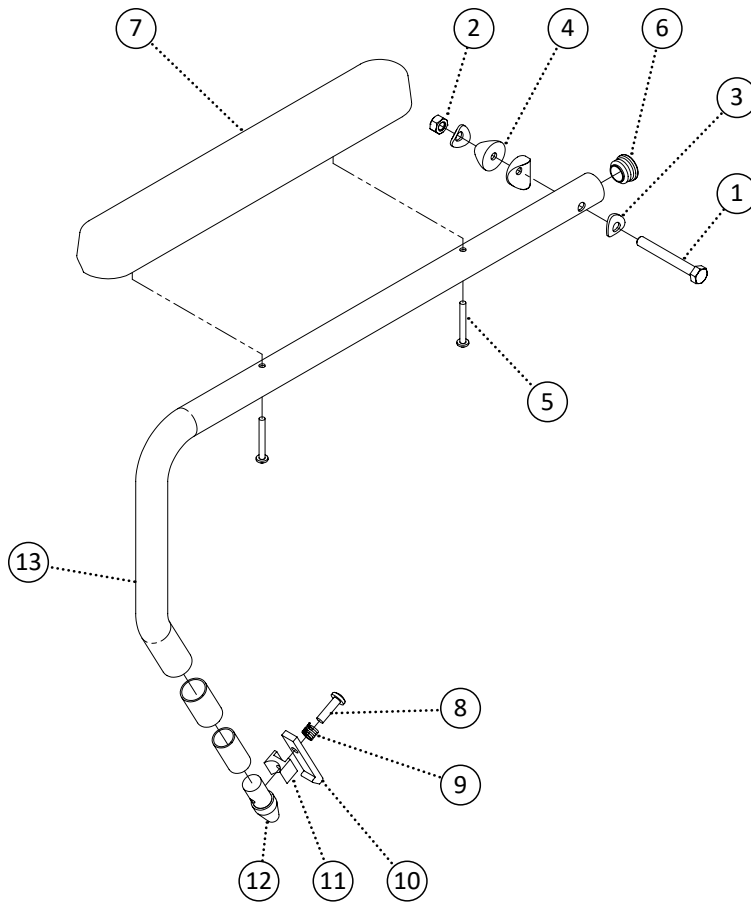
Item	REF Number	Description	Quantity	MSRP	Notes
1	549324	Screw, Flat Head 10-32 x 3/4	4		
2	549383	Seat Pan, Commode Polyurethane Seat Pan and Cover	1		
1-2	548782	Kit, Polyurethane Seat Complete Kit	1		



Item	REF Number	Description	Quantity	MSRP	Notes
1	549366	Screw, Round Head Tapping Screw 3/16-32 x 3/4	1		
2	549429	Washer, Nylon Washer 1/4 ID. x 5/8 OD. x .062thk	2		
3	549431	Washer, Nylon Washer 5/16 ID. x 5/8 OD. x .125thk	1		
4	549328	Screw, Hex Bolt 1/4-20 x 1-1/2 Stainless	4		
5	548860	Nut, Nylon Lock Nut 1/4-20 Stainless	4		
6	548418	Bracket, Bucket Hanger	2		
7	548456	Bucket, Sanitary Commode Bucket 6" X 10" X 14"	1		
1-7	548785	Kit, Seat Pan Complete Kit	1		

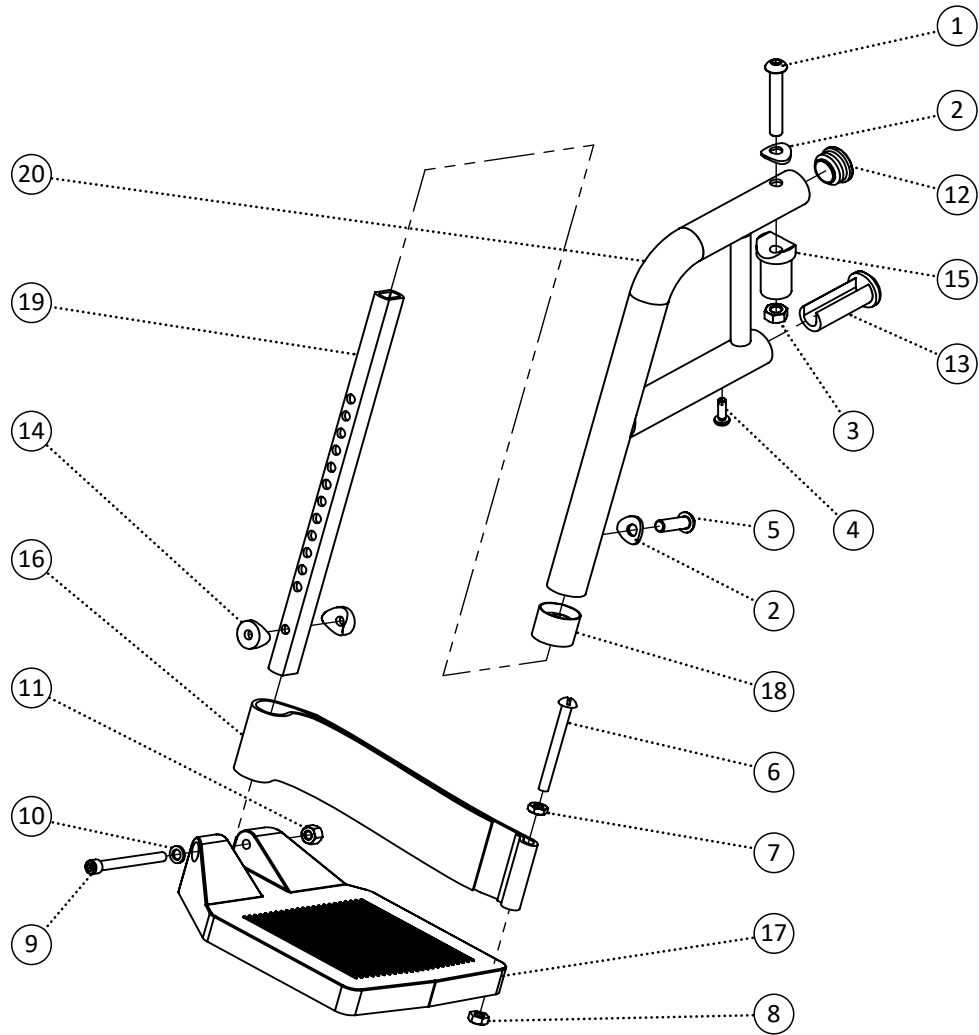


Item	REF Number	Description	Quantity	MSRP	Notes
1	549359	Screw, Round Head 10-24 x 1-1/2 Stainless	2		
2	549332	Screw, Hex Bolt 1/4-20 x 2 Stainless	1		
3	548860	Nut, Nylon Lock Nut 1/4-20 Stainless	1		
4	548496	Cap, Round Plug 1 x 18ga	1		
5	549433	Washer, Radius Washer 1/4 ID. x 1 OD. x 1cu	2		
6	548489	Cap, Cap 1-1/8 x 1cu	1		
7	548882	Padding, Polyurethane Armrest	1		
8	549103	PPM, Horizon Arm Top	1		
1-8	548691	Kit, Commode Armrest Complete Kit	1		

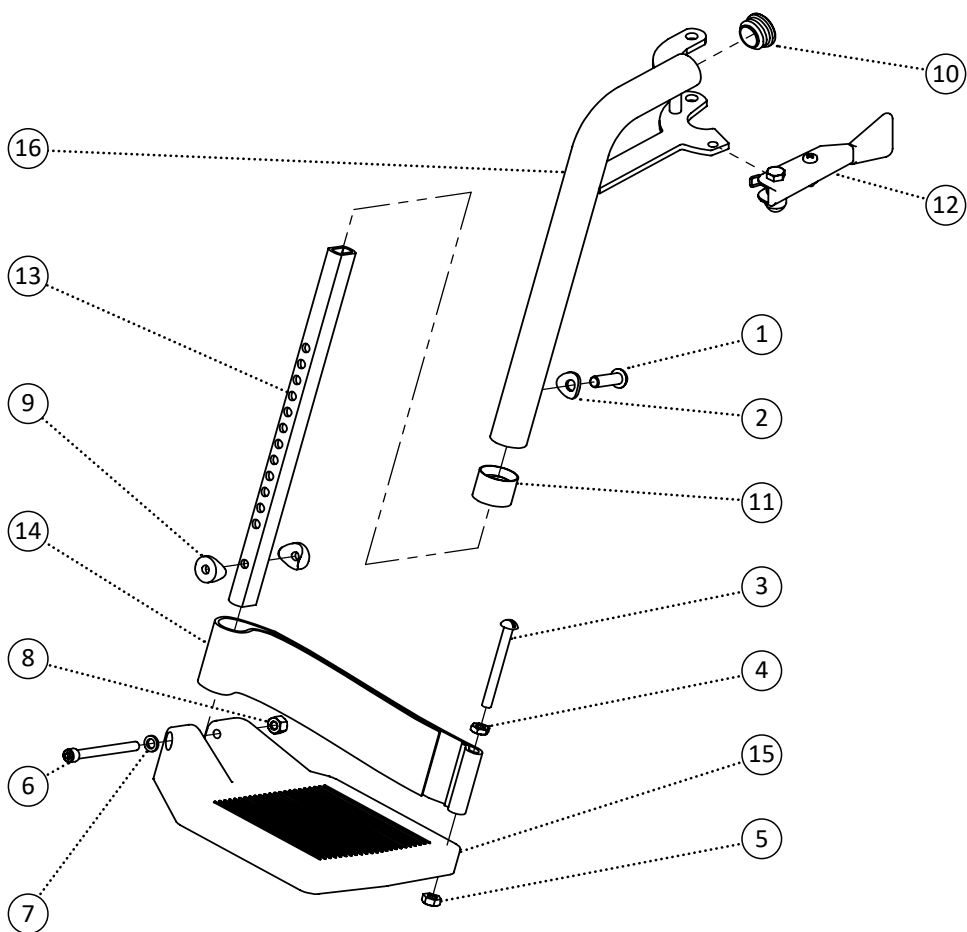


Item	REF Number	Description	Quantity	MSRP	Notes
1	550115	Screw, Hex Bolt 5/16-18 x 2-1/2 Stainless	1		
2	548863	Nut, Nylon Lock Nut 5/16-18 Stainless	1		
3	549413	Washer, Curved Washer .323 ID. x 3/4 OD. x .07thk	2		
4	549433	Washer, Radius Washer 1/4 ID. x 1 OD. x 1cu	2		
5	549359	Screw, Round Head 10-24 x 1-1/2 Stainless	2		
6	548496	Cap, Round Plug 1 x 18ga	1		
7	548882	Padding, Polyurethane Armrest	1		
8	549355	Screw, Pan Head Thread Screw Quadrex 1/4-14 x 1	1		
9	549396	Spring, Lever Compression Spring	1		
10	548417	Bracket, Arm Release Lever Aluminum	1		
11	549386	Spacer, Arm Release Lever Mount Block	1		
12	548483	Cap, Arm Lead In Locator	1		
13	550116	PPM, Commode Lock Down Arm	1		
1-13	550117	Kit, Commode Lock Down Arm Left Complete	1		
1-13	550118	Kit, Commode Lock Down Arm Right Complete	1		

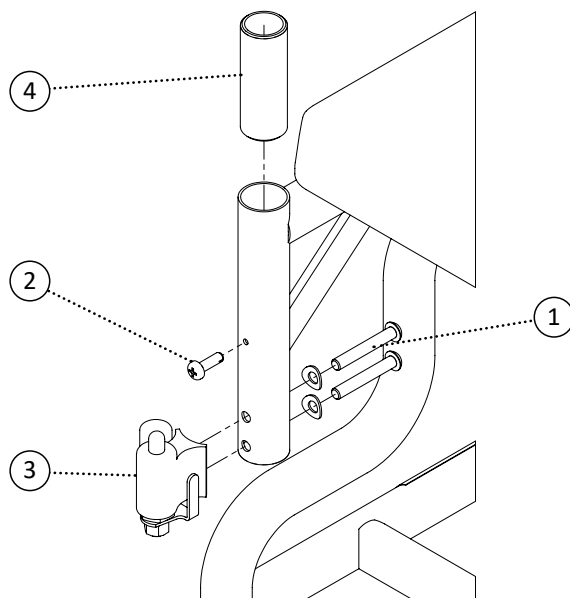
Note: This is for reference only. Contact for part numbers.



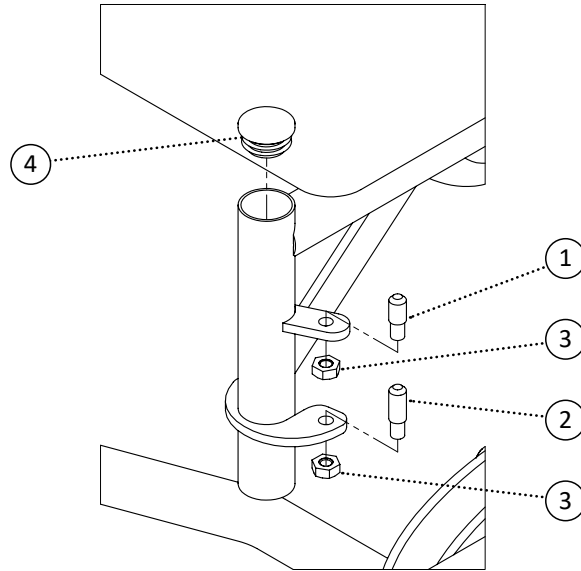
Item	REF Number	Description	Quantity	MSRP	Notes
1	549320	Screw, Button Head Cap Screw M8-1.25 x 50 Stainless	1		
2	549412	Washer, Curved Flat Washer 5/16 Stainless	2		
3	548869	Nut, Nylon Lock Nut M8-1.25 Stainless	1		
4	549381	Screw, Tapping Screw M5-0.8 x 16 Stainless	1		
5	549319	Screw, Button Head Cap Screw M8-1.25 x 25 Stainless	1		
6	549364	Screw, Round Head Square Slotted 1/4-20 x 2-1/2 Stainless	1		
7	548853	Nut, Jam Nut 1/4-20 Stainless	1		
8	548871	Nut, Nylon Lock Nut Thin 1/4-20 Stainless	1		
9	549370	Screw, Socket Head 1/4-20 x 2-1/2 Stainless	1		
10	549421	Washer, Flat Washer 1/4 ID. x 0.4 OD. Stainless	1		
11	548858	Nut, Lock Nut 1/4-20 Stainless	1		
12	548495	Cap, Round Plug 1 x 14ga	1		
13	548492	Cap, Footrest Swingaway Pivot 1 x 1/8wt x 1	1		
14	549437	Washer, Radius Washer 3/4 (1/4 ID. x 3/4 OD. x 3/4cu)	1		
15	548462	Bushing, Footrest Vertical Pivot (5/16 ID. x 1 OD. x 1cu)	1		
16	549400	Strap, Heel Loop Strap	1		
17	548525	Footplate, Composite Footplate	1		
18	548491	Cap, Footrest End Cap 1	1		
19	548518	Extension, Aluminum Footrest Extension	1		
20	548993	PPM, Commode Pivot Footrest 60 Degree	1		
21	548994	PPM, Commode Pivot Footrest 70 Degree	1		
22	548995	PPM, Commode Pivot Footrest 80 Degree	1		
23	548996	PPM, Commode Pivot Footrest 90 Degree	1		
1-19,20	548772	Kit, Pivot Footrest 60 Degree Complete Kit	1		
1-19,21	548773	Kit, Pivot Footrest 70 Degree Complete Kit	1		
1-19,22	548776	Kit, Pivot Footrest 80 Degree Complete Kit	1		
1-19,23	548777	Kit, Pivot Footrest 90 Degree Complete Kit	1		



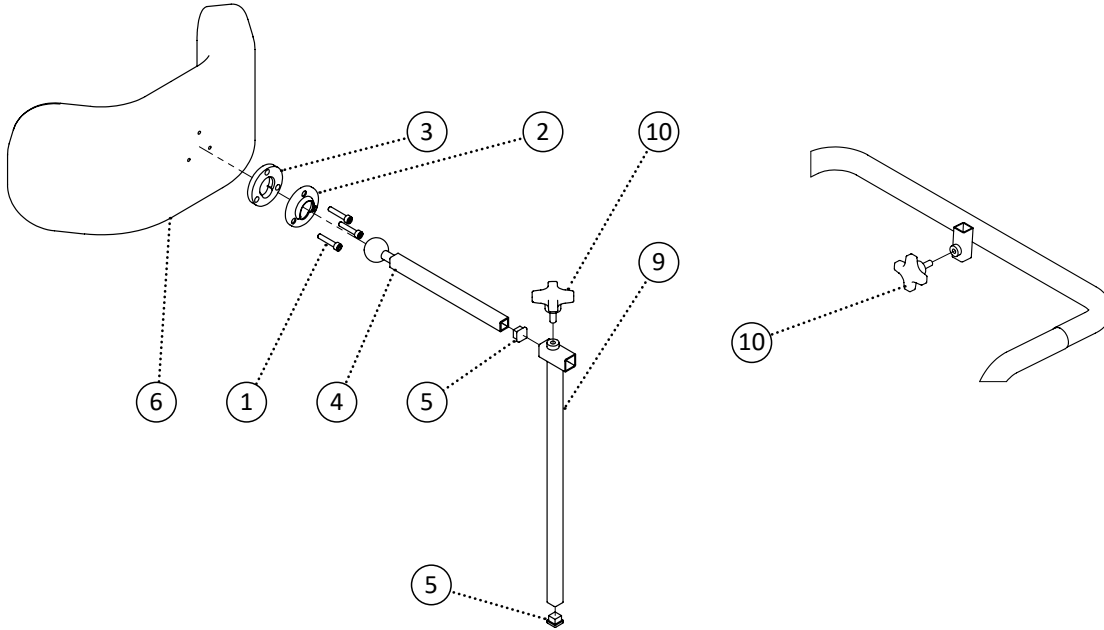
Item	REF Number	Description	Quantity	MSRP	Notes
1	549319	Screw, Button Head Cap Screw M8-1.25 x 25 Stainless	1		
2	549412	Washer, Curved Flat Washer 5/16 Stainless	2		
3	549364	Screw, Round Head Square Slotted 1/4-20 x 2-1/2 Stainless	1		
4	548853	Nut, Jam Nut 1/4-20 Stainless	1		
5	548871	Nut, Nylon Lock Nut Thin 1/4-20 Stainless	1		
6	549370	Screw, Socket Head 1/4-20 x 2-1/2 Stainless	1		
7	549421	Washer, Flat Washer 1/4 ID. x 0.4 OD. Stainless	1		
8	548858	Nut, Lock Nut 1/4-20 Stainless	1		
9	549434	Washer, Radius Washer 1/4 ID. x 3/4 OD. x 3/4cu	2		
10	548495	Cap, Round Plug 1 x 14ga	2		
11	548491	Cap, Footrest End Cap 1	1		
12	548847	Handle, Pin-Style Release Handle Left Stainless	1		
12	548848	Handle, Pin-Style Release Handle Right Stainless	1		
13	548518	Extension, Aluminum Footrest Extension	1		
14	549400	Strap, Heel Loop Strap	1		
15	548525	Footplate, Composite Footplate	1		
16	549441	PPM, Pin Style Commode Footrest 60 Degree Left	1		
17	549442	PPM, Pin Style Commode Footrest 60 Degree Right	1		
18	549443	PPM, Pin Style Commode Footrest 70 Degree Left	1		
19	549444	PPM, Pin Style Commode Footrest 70 Degree Right	1		
20	549445	PPM, Pin Style Commode Footrest 80 Degree Left	1		
21	549446	PPM, Pin Style Commode Footrest 80 Degree Right	1		
22	549447	PPM, Pin Style Commode Footrest 90 Degree Left	1		
23	549448	PPM, Pin Style Commode Footrest 90 Degree Right	1		
3-9,13-15	549457	Kit, Commode Footplate Left Complete	1		
3-9,13-15	549458	Kit, Commode Footplate Right Complete	1		
1-15,16	549449	Kit, Pin Style Commode Footrest 60 Degree Left Complete	1		
1-15,17	549450	Kit, Pin Style Commode Footrest 60 Degree Right Complete	1		
1-15,18	549451	Kit, Pin Style Commode Footrest 70 Degree Left Complete	1		
1-15,19	549452	Kit, Pin Style Commode Footrest 70 Degree Right Complete	1		
1-15,20	549453	Kit, Pin Style Commode Footrest 80 Degree Left Complete	1		
1-15,21	549454	Kit, Pin Style Commode Footrest 80 Degree Right Complete	1		
1-15,22	549455	Kit, Pin Style Commode Footrest 90 Degree Left Complete	1		
1-15,23	549456	Kit, Pin Style Commode Footrest 90 Degree Right Complete	1		



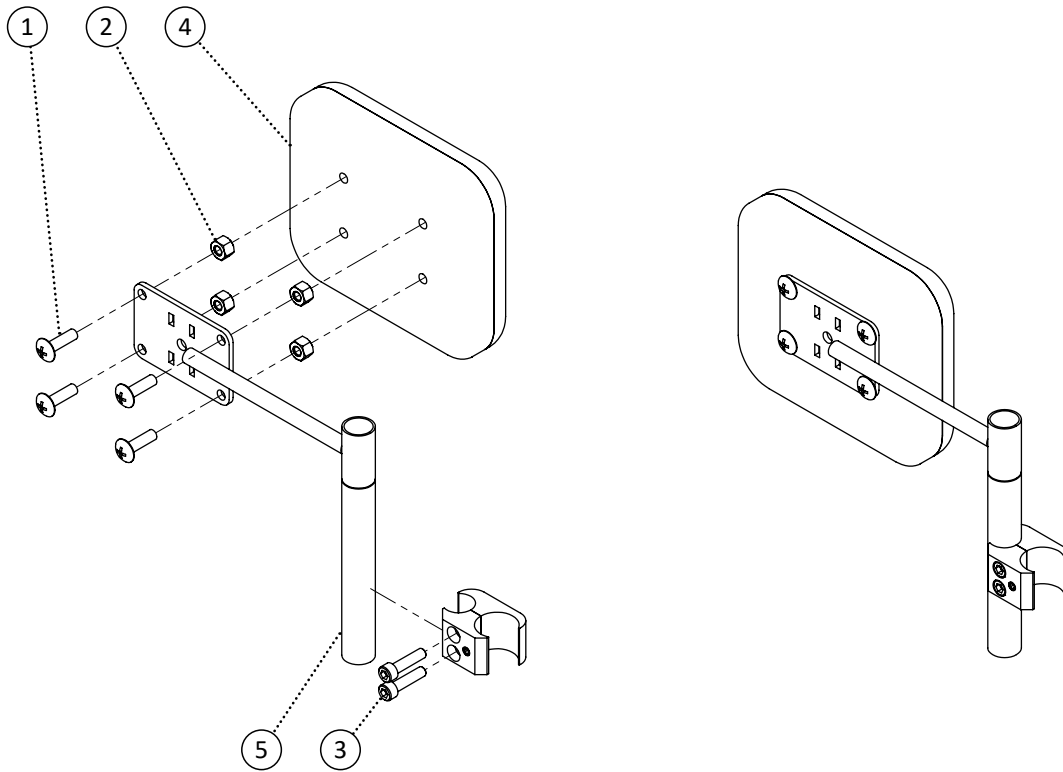
Item	REF Number	Description	Quantity	MSRP	Notes
1	549321	Screw, Button Head M6-1.0 x 40 Stainless	2		
2	549381	Screw, Tapping Screw M5-0.8 x 16 Stainless	1		
3	548850	Locking Pin, Footrest Release Block Assembly	1		
4	548461	Bushing, Footrest Pivot Sleeve	1		
1-4	548778	Kit, Pivot Footrest Receiver Complete Kit	1		



Item	REF Number	Description	Quantity	MSRP	Notes
1	548888	Pin, Pin Style Pin 1/4-28 Short Stainless	1		
2	548886	Pin, Pin Style Pin 1/4-28 Long Stainless	1		
3	548873	Nut, Nylon Lock Nut Thin 1/4-28 Stainless	1		
4	548495	Cap, Round Plug 1 x 14ga	1		
1-4	548769	Kit, Pin Style Footrest Receiver Complete Kit	1		

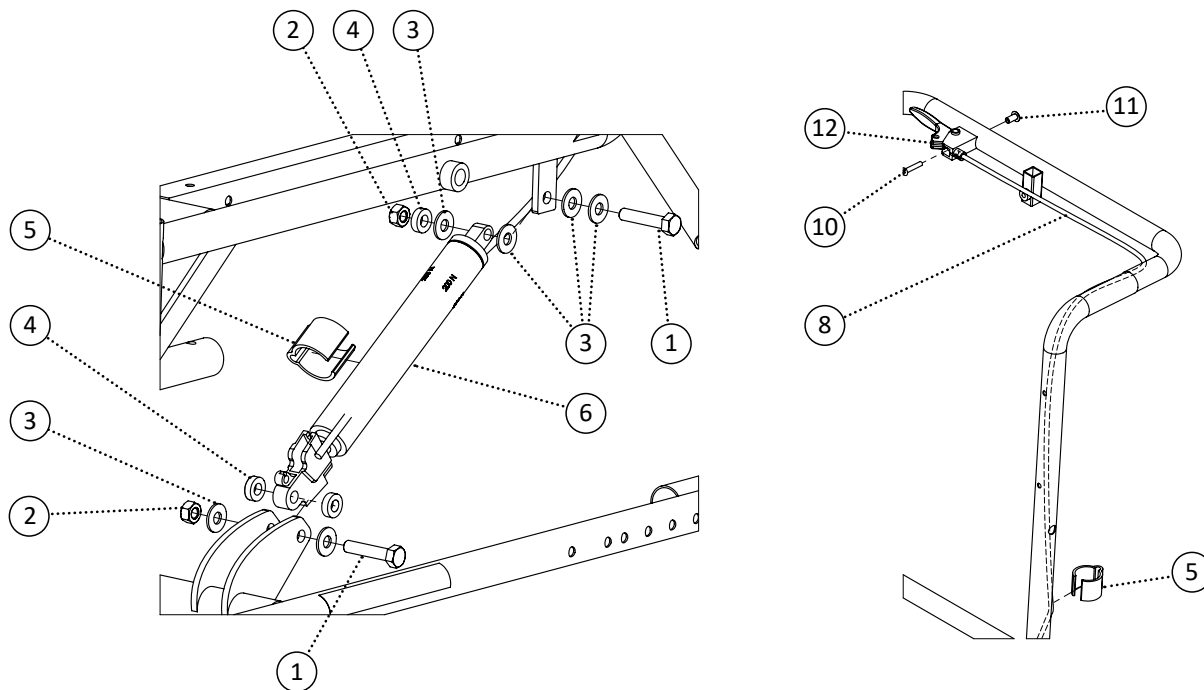


Item	REF Number	Description	Quantity	MSRP	Notes
1	549368	Screw, Socket Cap Screw 10-24 x 1	3		
2	549410	Washer, Ball Joint Receiver	1		
3	549426	Washer, Headrest Washer Stainless	1		
4	549102	PPM, Headrest Ball Joint Extension Stainless	1		
5	548500	Cap, Square Cap 1/2	2		
6	548560	Headrest Pad, Polyurethane Pad Large	1		
7	548561	Headrest Pad, Polyurethane Pad Medium	1		
8	548562	Headrest Pad, Polyurethane Pad Small	1		
9	549109	PPM, Linear Axis Vertical Receiver Stainless	1		
10	548845	Knob, Knob Screw 1/4-20 x 5/8	2		
1-5,6,9-10	548744	Kit, Linear Axis Swivel Polyurethane Large Pad Complete	1		
1-5,7,9-10	548745	Kit, Linear Axis Swivel Polyurethane Medium Pad Complete	1		
1-5,8,9-10	548746	Kit, Linear Axis Swivel Polyurethane Small Pad Complete	1		

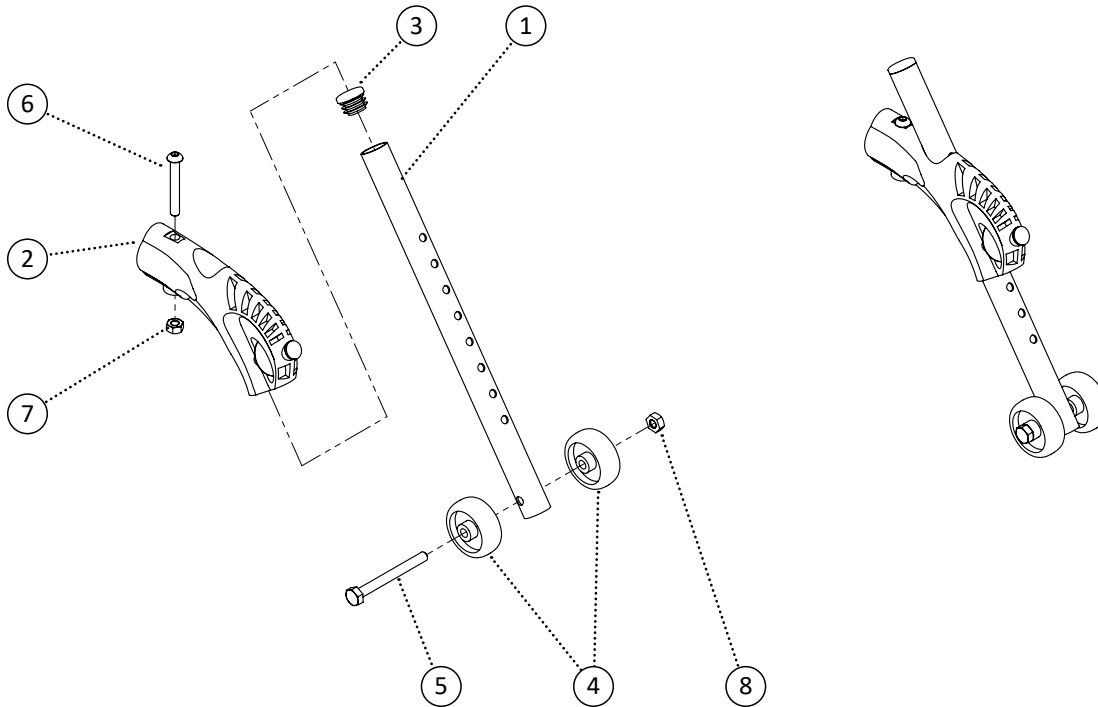


Item	REF Number	Description	Quantity	MSRP	Notes
1	549382	Screw, Truss Head 1/4-20 x 3/4	4		
2	548859	Nut, Nylon Lock Nut 1/4-20	4		
3	548505	Clamp, Aluminum Brake Clamp	1		
4	550121	PPM, Lateral Pad Swing Away	1		
5	550122	PPM, Lateral Swing Away Left Bracket	1		
6	550123	PPM, Lateral Swing Away Right Bracket	1		
1-6	550124	Kit, Lateral Swing Away Left Complete Kit	1		
1-5,7	550125	Kit, Lateral Swing Away Right Complete Kit	1		

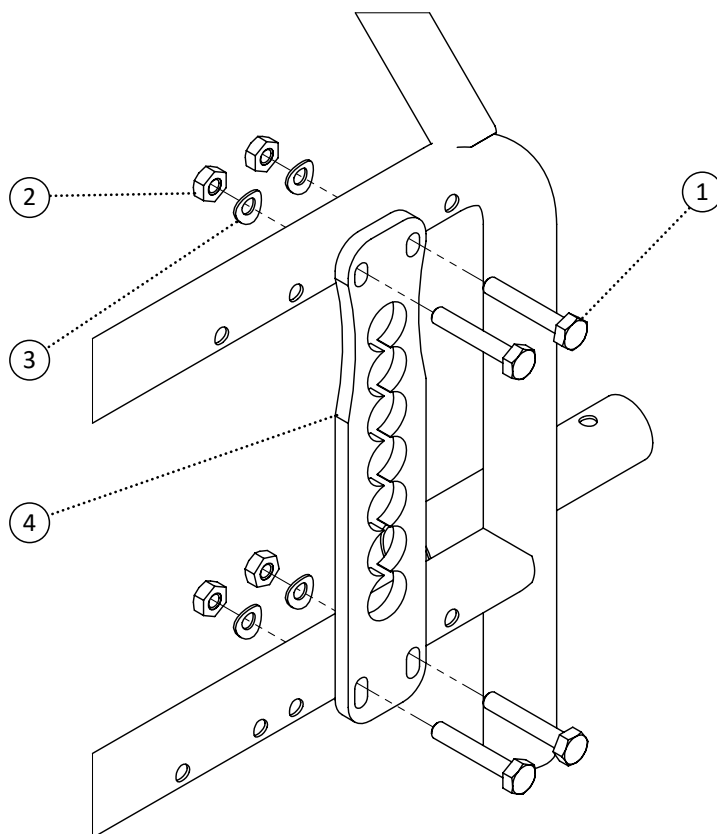
Note: This is for reference only. Contact for part numbers.



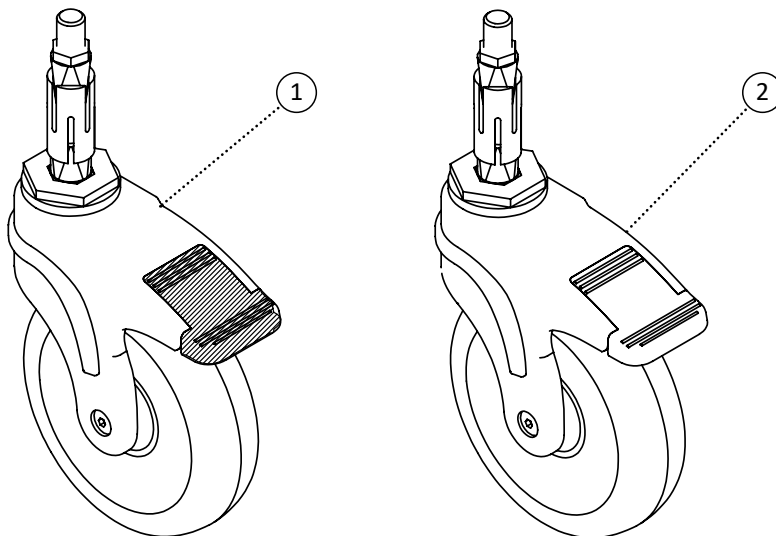
Item	REF Number	Description	Quantity	MSRP	Notes
1	549338	Screw, Hex Bolt 5/16-18 x 1-1/2 Stainless	2		
2	548863	Nut, Nylon Lock Nut 5/16-18 Stainless	2		
3	549430	Washer, Nylon Washer 5/16 ID. x 3/4 OD. x .063thk	6		
4	549390	Spacer, Nylon Spacer 5/16 ID. x .6 OD. x .18thk (blk)	3		
5	548508	Clamp, Cable Clamp 1	2		
6	548511	Cylinder, Gas Spring 200N	1		
7	548513	Cylinder, Gas Spring 200N (20+ Seat Width)	2		
8	548475	Cable, Commode Tilt Cable Single	1		
9	548476	Cable, Commote Tilt Cable Split (20+ Seat Width)	1		
10	549358	Screw, Round Head 10-24 x 1	1		
11	548880	Nut, Socket Cap Nut 10-24 x 1/2	1		
12	549409	Trigger, Tilt Trigger	1		
1-6,8,10-12	548694	Kit, Commode Tilt System Complete Kit	1		
1-5,7,9-12	548693	Kit, Commode Tilt System (20+ Seat Width) Complete Kit	1		



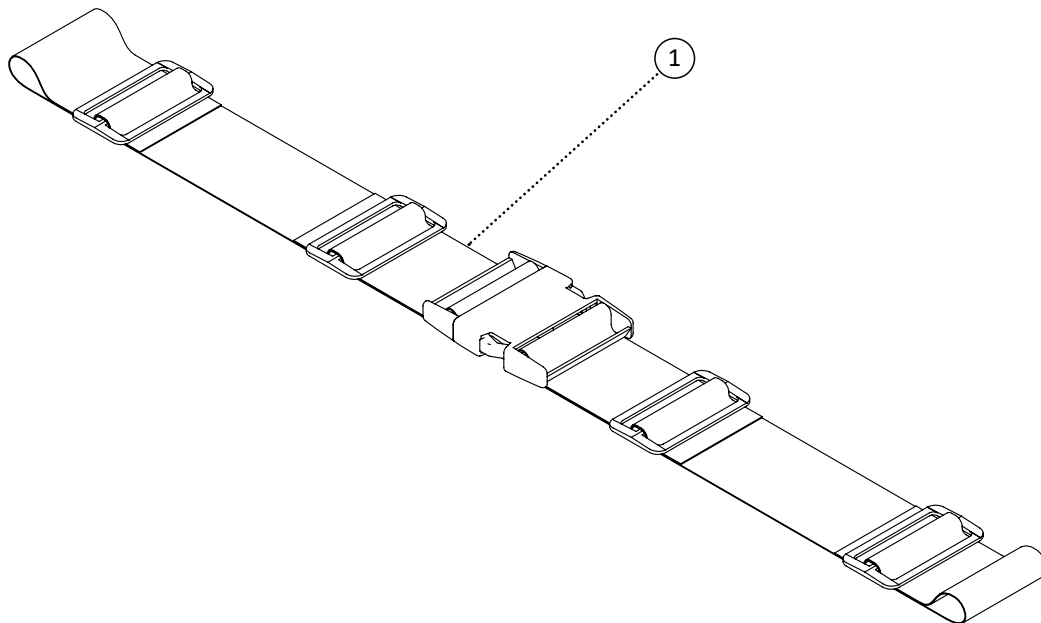
Item	REF Number	Description	Quantity	MSRP	Notes
1	548929	PPM, Anti-Tipper Extension	1		
2	548404	Block, Anti-Tipper Block	1		
3	548497	Cap, Round Plug 3/4	1		
4	549317	Roller, Anti-Tipper Roller 1-5/8	2		
5	549334	Screw, Hex Bolt 1/4-20 x 2-1/2 Stainless	1		
6	549321	Screw, Button Head M6-1.0 x 40 Stainless	1		
7	548867	Nut, Nylon Lock Nut M6-1.0 Stainless	1		
8	548860	Nut, Nylon Lock Nut 1/4-20 Stainless	1		
1-8	548578	Kit, Adjustable Anti-Tipper Stainless Complete Kit	1		



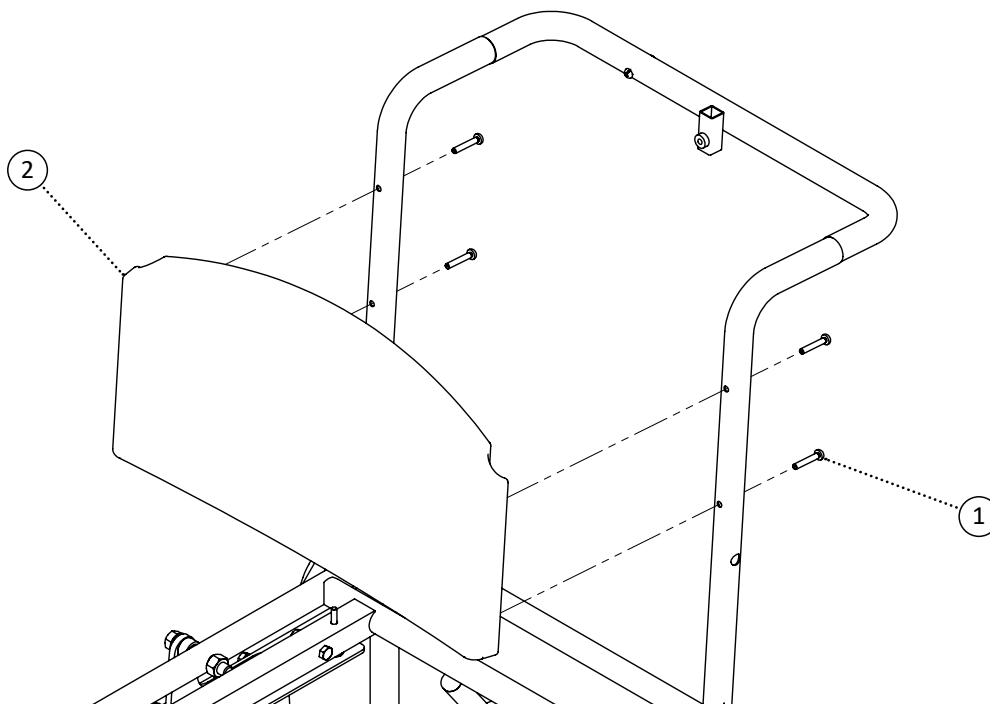
Item	REF Number	Description	Quantity	MSRP	Notes
1	549328	Screw, Hex Bolt 1/4-20 x 1-1/2 Stainless	4		
2	548860	Nut, Nylon Lock Nut 1/4-20 Stainless	4		
3	549411	Washer, Curved Flat Washer 1/4 Stainless	4		
4	548851	Nut, Axle Receiver	1		
1-4	548741	Kit, Horizon Tilt Axle Plate Complete Kit	1		



Item	REF Number	Description	Quantity	MSRP	Notes
1	548501	Caster, Directional Lock 5" Caster	1		
2	548502	Caster, Total Lock 5" Caster	1		



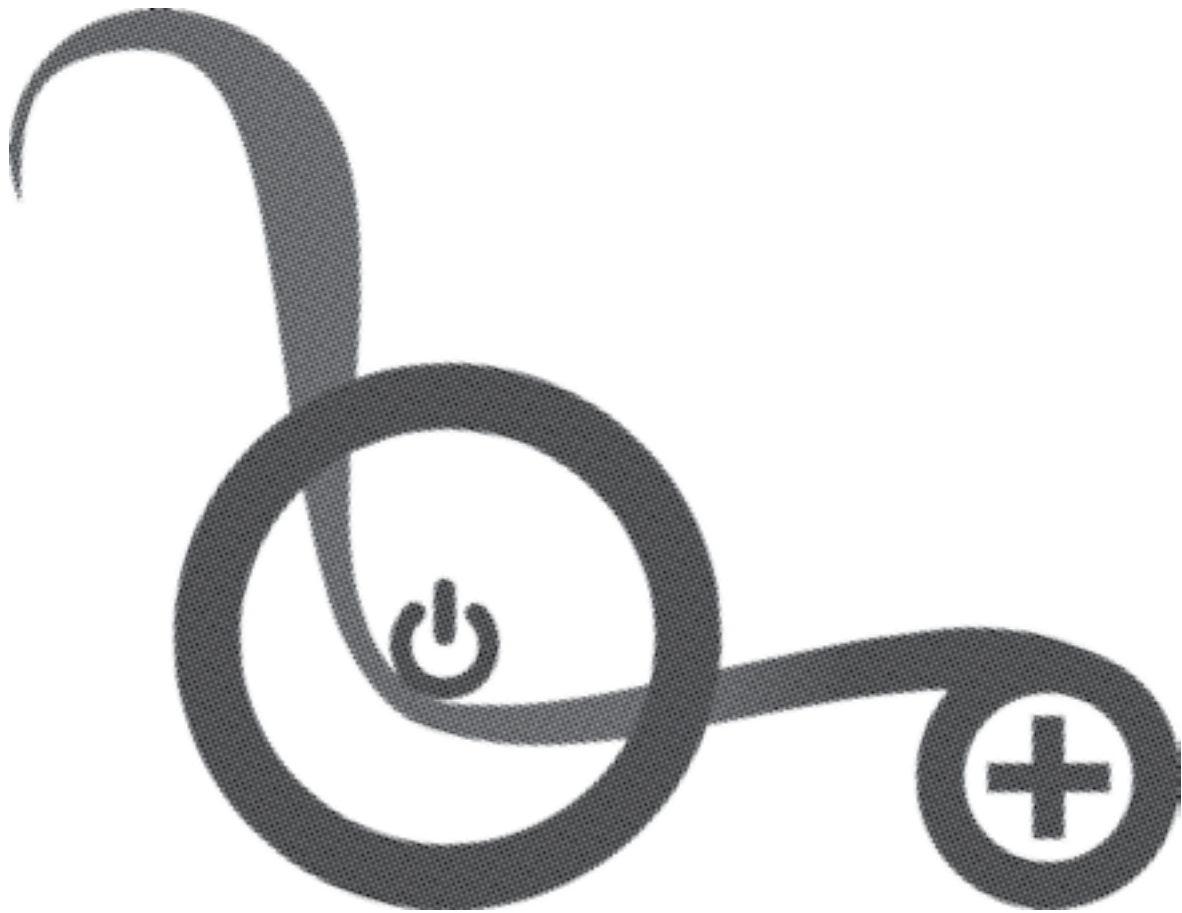
Item	REF Number	Description	Quantity	MSRP	Notes
1	549991	Belt, 2 Strap Plastic Seat Belt 16	1		
2	549992	Belt, 2 Strap Plastic Seat Belt 18	1		
3	549993	Belt, 2 Strap Plastic Seat Belt 20	1		
4	549994	Belt, 2 Strap Plastic Seat Belt 22	1		
5	549995	Belt, 2 Strap Plastic Seat Belt 24	1		
6	549996	Belt, 2 Strap Plastic Seat Belt 26	1		
7	549997	Belt, 2 Strap Plastic Seat Belt 28	1		
8	549998	Belt, 2 Strap Plastic Seat Belt 30	1		



Item	REF Number	Description	Quantity	MSRP	Notes
1	549365	Screw, Round Head Tapping M5-0.8 x 30 Stainless	4		
2	548398	Back, Polyurethane Back	1		
1-2	548780	Kit, Polyurethane Back Complete	1		

REFERENCE INDEX

548398 23	548859 17	549433 8, 9
548404 19	548860 7, 8, 19, 20	549434 13
548417 9	548863 9, 18	549437 11
548418 7	548865 5	549441 13
548428 5	548867 19	549442 13
548456 7	548869 11	549443 13
548461 14	548871 5, 11, 13	549444 13
548462 11	548873 15	549445 13
548475 18	548880 18	549446 13
548476 18	548882 8, 9	549447 13
548483 9	548886 15	549448 13
548489 8	548888 15	549449 13
548491 11, 13	548929 19	549450 13
548492 11	548993 11	549451 13
548495 11, 13, 15	548994 11	549452 13
548496 8, 9	548995 11	549453 13
548497 19	548996 11	549454 13
548500 16	549102 16	549455 13
548501 21	549103 8	549456 13
548502 21	549109 16	549457 13
548505 17	549317 19	549458 13
548508 18	549319 11, 13	549991 22
548511 18	549320 11	549992 22
548513 18	549321 14, 19	549993 22
548518 11, 13	549324 6	549994 22
548525 11, 13	549328 5, 7, 20	549995 22
548529 4	549332 8	549996 22
548530 4	549334 19	549997 22
548531 4	549338 18	549998 22
548560 16	549345 5	550115 9
548561 16	549355 9	550116 9
548562 16	549358 18	550117 9
548578 19	549359 8, 9	550118 9
548691 8	549364 11, 13	550121 17
548692 5	549365 23	550122 17
548693 18	549366 7	550123 17
548694 18	549368 16	550124 17
548741 20	549370 11, 13	550125 17
548744 16	549381 11, 14	
548745 16	549382 17	
548746 16	549383 6	
548769 15	549386 9	
548772 11	549390 18	
548773 11	549396 9	
548776 11	549400 11, 13	
548777 11	549409 18	
548778 14	549410 16	
548780 23	549411 20	
548782 6	549412 11, 13	
548785 7	549413 9	
548845 16	549414 5	
548847 13	549421 11, 13	
548848 13	549426 16	
548850 14	549429 7	
548851 20	549430 18	
548853 11, 13	549431 7	
548858 11, 13	549432 5	



HORIZON-T



POWERPLUSMOBILITY.COM

208 Wilkinson Road | Brampton, ON | Canada L6T 4M4

Telephone (905)-614-0333 | Toll Free 1-(855)-614-0333

Fax (905)-614-0435