

POWER PLUS MOBILITY

MAGIC PLUS PARTS CATALOGUE

PLEASE TRY TO PROVIDE AS MUCH DETAIL AS POSSIBLE WHEN ORDERING PARTS

THANK YOU FOR YOUR BUSINESS

Table of Contents

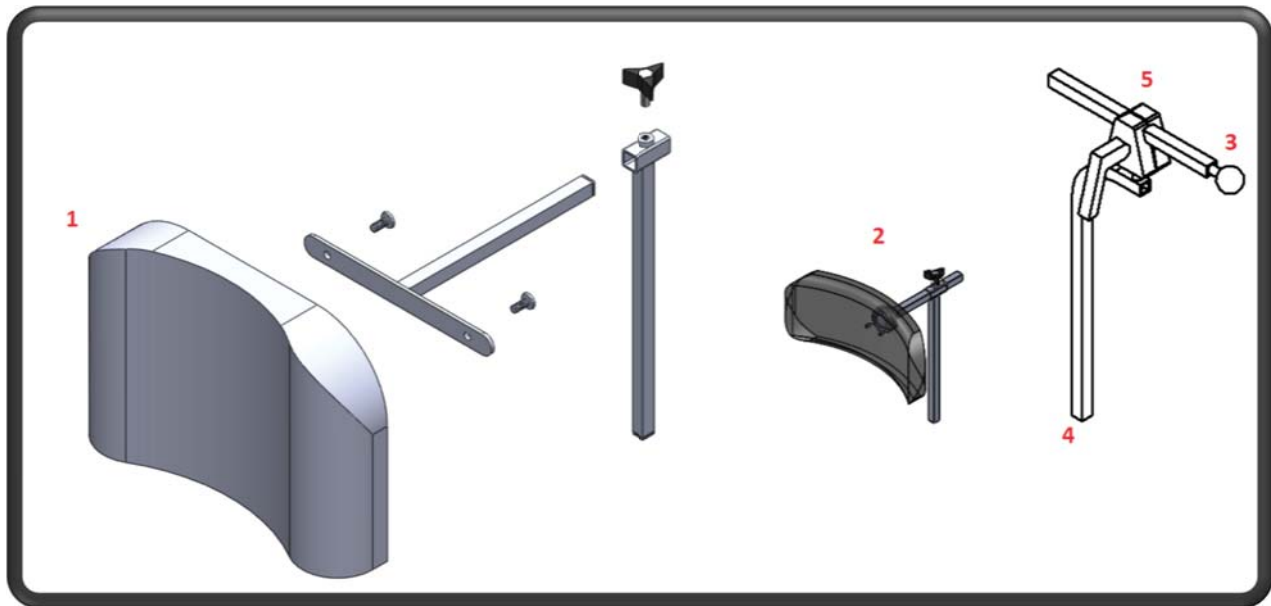
| Parts Category | Page(s) |
|-----------------------|----------------|
| Diagram | 3 |
| Headrest | 4 |
| Frame | 5 |
| Back Post | 6 |
| Backs | 7-8 |
| Arm | 9 |
| Upholstery | 10 |
| Cushions | 11 |
| Anti-Tipper | 12 |
| Footrest | 13-16 |
| Casters/Forks | 17 |
| Wheels/ Brakes | 18-20 |
| Accessories | 21-24 |

* Please include -P after the each part number and include the product code "MGP" after the Part No.
 Ex: UPHT218-PMGP for Molded Swivel Headrest for the Magic Plus.

Diagram



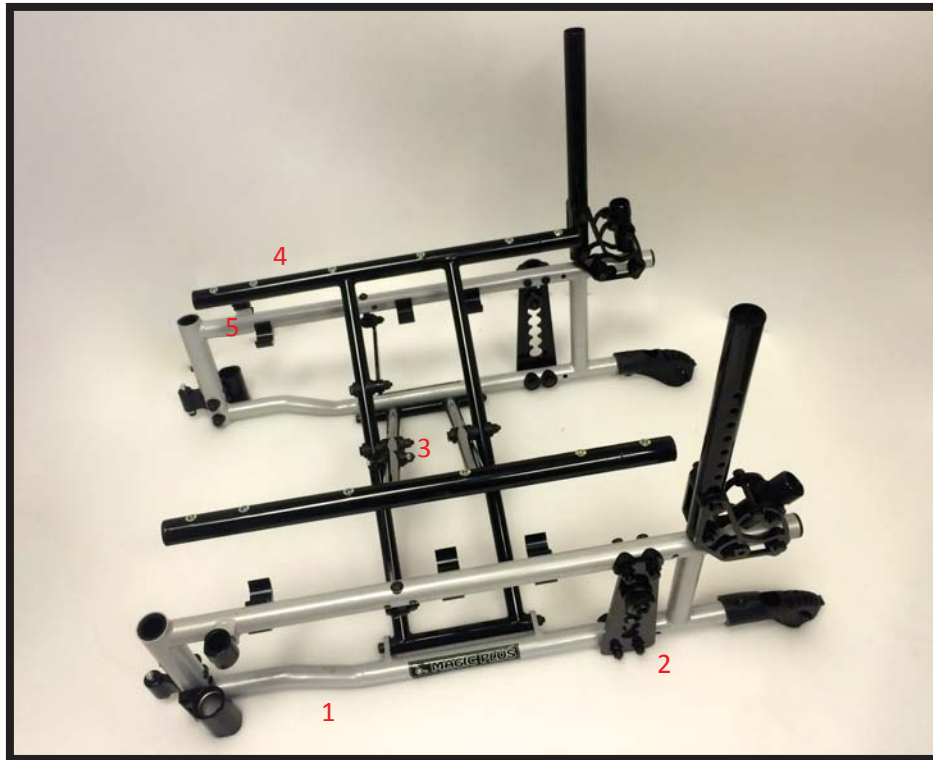
Headrest



| Part No. | Figure No. | Description | Price (\$) |
|----------|------------|--|------------|
| UPHT218 | 1 | Contour Headrest Complete | |
| UPHT219 | | Contour "U" Headrest Complete | |
| UPHT220 | | Custom Headrest (Specify Dimensions) | |
| UPHT221 | | Contour Headrest Only | |
| UPHT222 | 2 | Swivel Headrest Complete | |
| UPHT226 | | Right Head Wing Complete | |
| UPHT227 | | Left Head Wing Complete | |
| UPHT228 | | Head Wing Cover Only (One) | |
| VOSH | | Vertical Offset Headrest Hardware | |
| VOSG | | Vertical Offset Headrest Gooseneck | |
| VOSV | | Vertical Offset Headrest Vertical Extension | |
| MAHH | 3-5 | Multi-axis Headrest Hardware | |
| MAHV | | Multi-axis Headrest & Vertical Offset Extender | |
| MAHG | 4 | Multi-axis Headrest Gooseneck | |
| HBAL | 5 | Headrest Block Assembly Complete (Each) | |
| HKH | | Headrest Knob Handle (Each) | |
| HBS | | Headrest Block (Set/Each) | |
| HAP | | Headrest Adapter Plate | |

* Please include -P after the each part number and include the product code "MGP" after the Part No.
 Ex: UPHT218-PMGP for Molded Swivel Headrest for the Magic Plus.

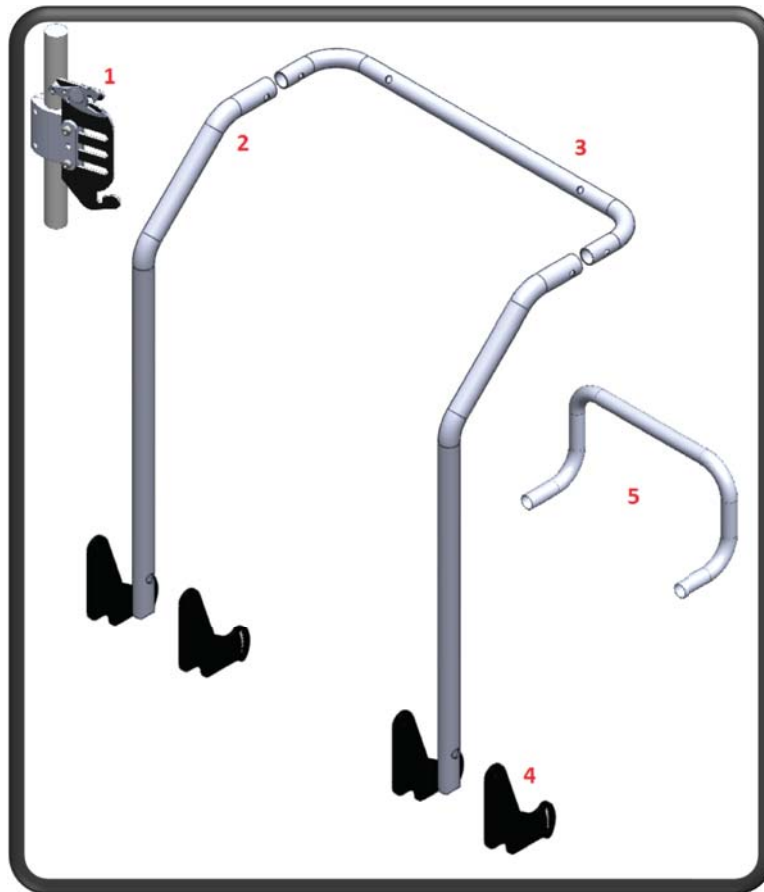
Frame



| Part No. | Figure No. | Description | Price (\$) |
|--------------------|---------------------------------|---|------------|
| SFSW607 SFSW608 | 1 | Right Aluminum Side Frame Left Aluminum Side Frame | |
| W006APEG | 2 | Rear Wheel Axle Plate | |
| W008ARN | | Receiver Lock Nut | |
| W001AREG | | Axle Receiver | |
| CX001 | 3 | 14-18" Right Cross Brace, Aluminum | |
| CX002 | | 14-18" Left Cross Brace, Aluminum | |
| CX003 | | 19-20" Right Cross Brace, Aluminum | |
| CX004 | | 19-20" Left Cross Brace, Aluminum | |
| CX010 | | 11-24" Right Cross Brace, Aluminum | |
| CX011 | | 21-24" Left Cross Brace, Aluminum | |
| CX012 | | 25+" Right Cross Brace, Aluminum | |
| CX013 | 25+" Left Cross Brace, Aluminum | | |
| CX009 | 4 | Cross Brace Links (Specify Size) Each | |
| CX014 | 5 | Cross Brace saddle block Each | |
| TD-FB | | Tie Down Front Bracket | |
| TD-RB | | Tie Down Rear Bracket | |

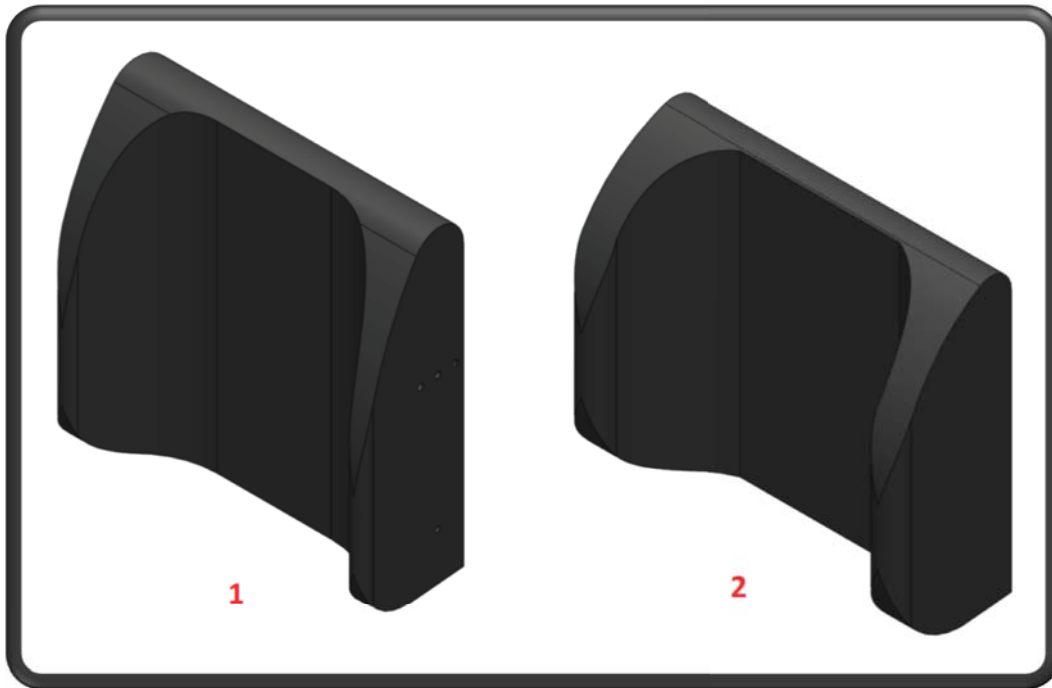
* Please include -P after the each part number and include the product code "MGP" after the Part No.
 Ex: UPHT218-PMGP for Molded Swivel Headrest for the Magic Plus.

Back Post Setup



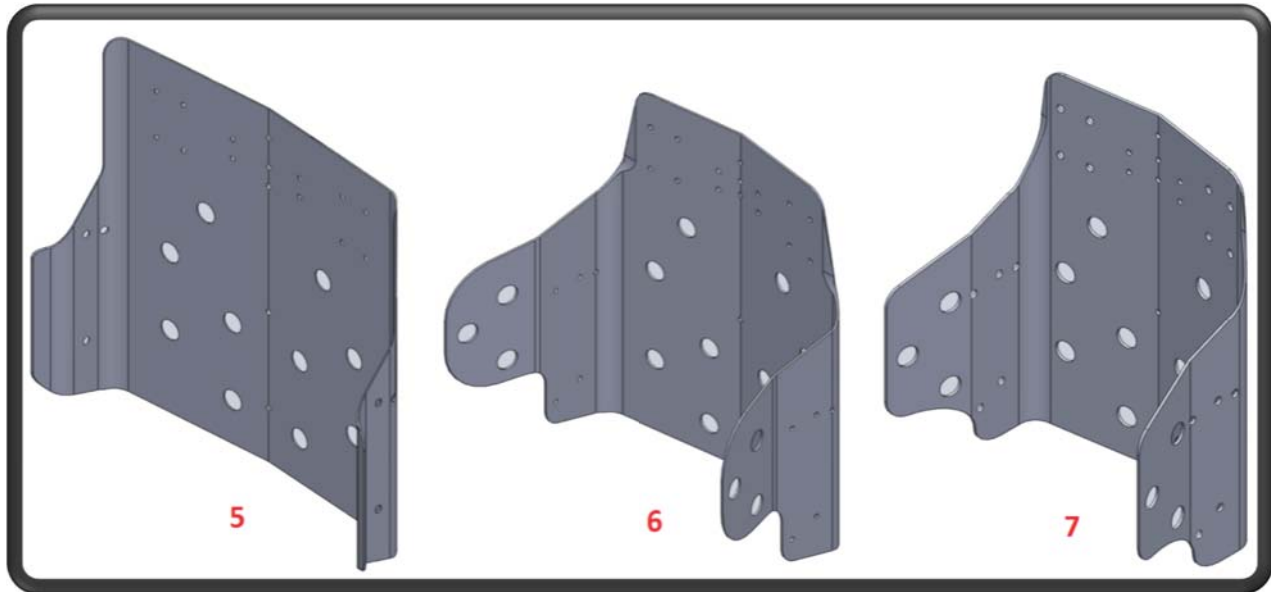
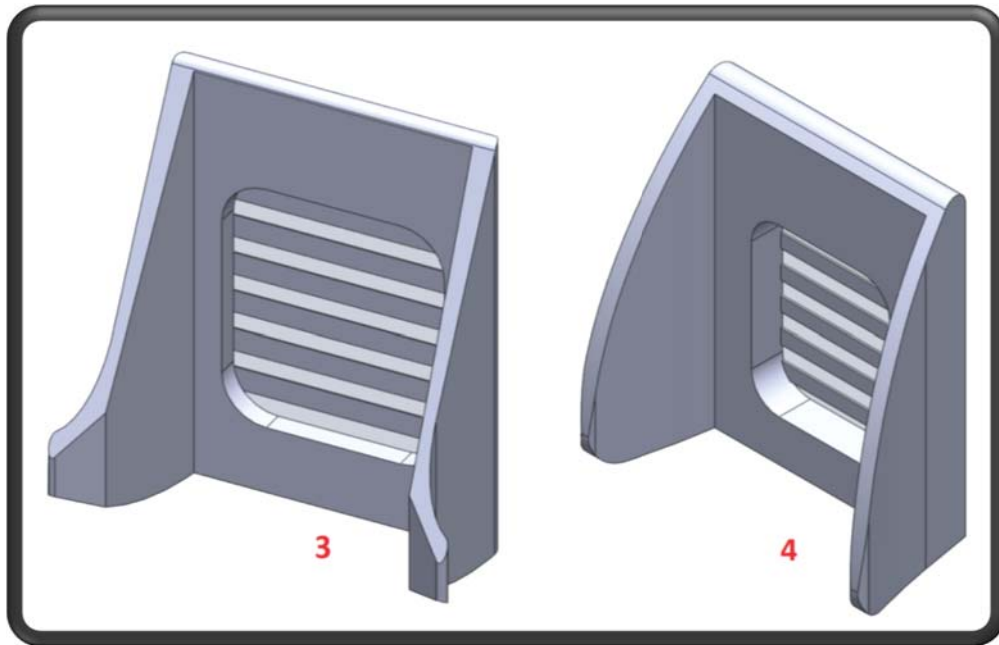
| Part No. | Figure No. | Description | Price (\$) |
|--|------------|---|------------|
| STBH10 STBH11 | 1 | Back Hardware R -Right Back Hardware L - Left | |
| SFST7005 SFST7005F SFST7005T SFST7005FT SFST7006 | 4 | Angle Adjustable Back Bracket -Pair T ARM Fixed Back Bracket-Pair T ARM Angle Adjustable Back Bracket -Pair T ARM Fixed Back Bracket-Pair T ARM Angle Adjustable Back Bracket Recline Back - Pair | |
| SFST710 SFST711 | 2 | Standard Back Cane Stroller Handle Knuckle Joint | |
| SFST712 STRBCR | 5 3 | Raised Back Cane Rigidizer Back Cane Rigidizer | |

Back



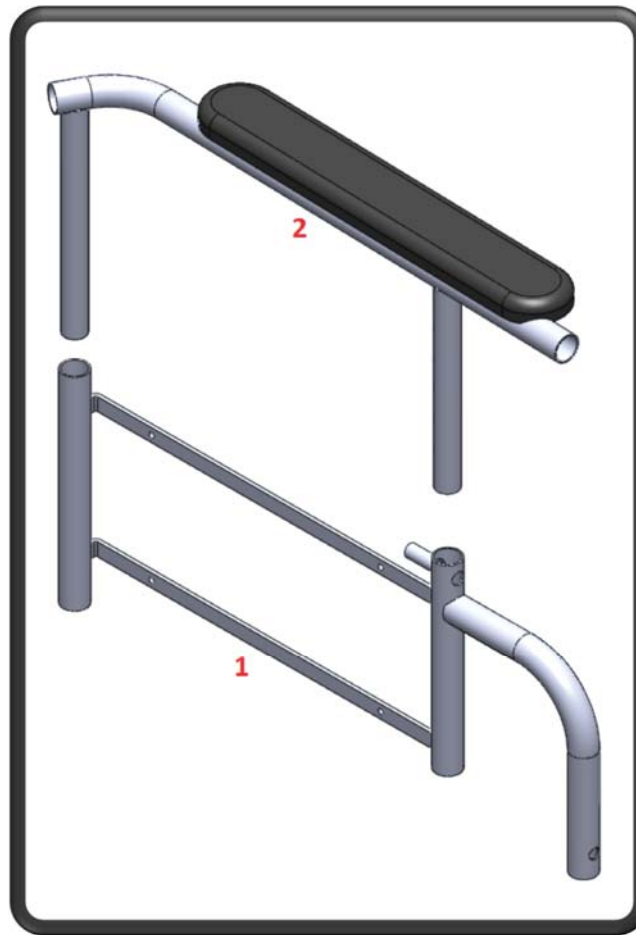
| Part No. | Figure No. | Description | Price (\$) |
|----------|------------|--|------------|
| UPH217 | | Contour Back Cover Only | |
| UPHT229 | | Headwing "L" Bracket | |
| UPHT230 | | Headwing Plate | |
| UPHT225 | | Headrest Plate (For Back) | |
| SUB#### | 1 | Shallow U Back Standard (Specify Width) | |
| SUB#### | | Shallow U Back Tall (Specify Width) | |
| SUB#### | | Shallow U Back Custom (Specify Width & Height) | |
| DUB#### | 2 | Deep U Back Standard (Specify Width) | |
| DUB#### | | Deep U Back Tall (Specify Width) | |
| DUB#### | | Deep U Back Custom (Specify Width & Height) | |
| KTBS#### | | Kyphotic Back Shallow U Standard | |
| KTBS#### | | Kyphotic Back Shallow U Tall | |
| KTBS#### | | Kyphotic Back Shallow U Custom | |
| KTBD#### | 3 | Kyphotic Back Deep U Standard | |
| KTBD#### | 4 | Kyphotic Back Deep U Tall | |
| KTBD#### | | Kyphotic Back Deep U Custom | |
| SHU####S | 5 | SHAPE Shallow U Back (Std./Cus.) | |
| SHU####M | 6 | SHAPE Mid U Back (Std./Cus.) | |
| SHU####D | 7 | SHAPE Deep U Back (Std./Cus.) | |

*Specify Size for #### WIDTH + HEIGHT; EXAMPLE: SUB1818 = SHALLOW U BACK 18" W x 18" H



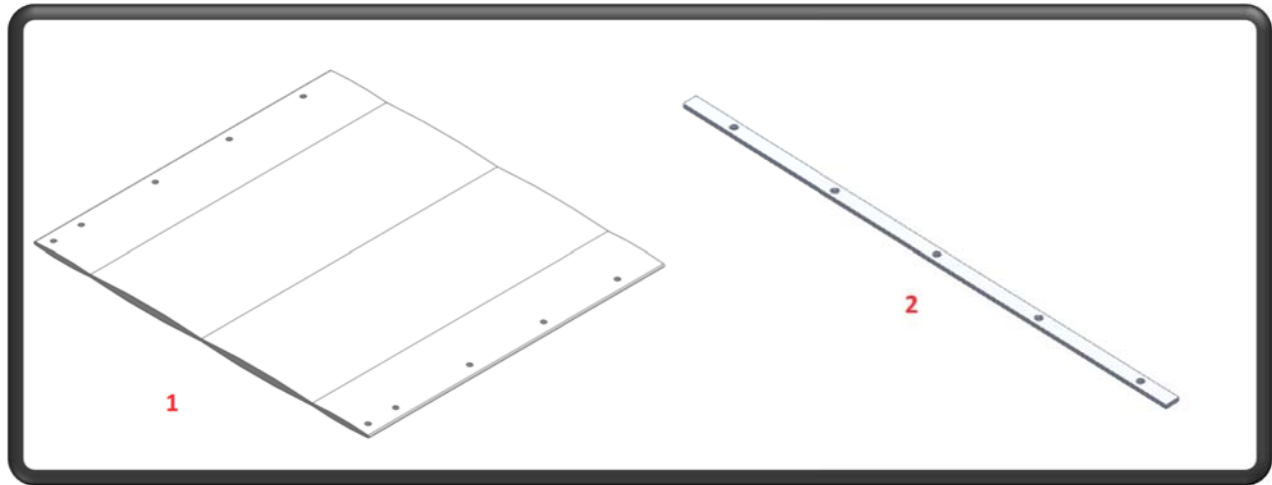
* Please include -P after the each part number and include the product code "MGP" after the Part No.
Ex: UPHT218-PMGP for Molded Swivel Headrest for the Magic Plus.

Arm



| Part No. | Figure No. | Description | Price (\$) |
|----------|------------|----------------------------------|------------|
| ARM001 | 1 | Right Arm Base - Flip Back | |
| ARM002 | | Left Arm Base - Flip Back | |
| ARM005 | 1 | Right Arm Base T ARM | |
| ARM006 | | Left Arm Base T ARM | |
| ARM009 | 2 | Right Arm Top Flip Back | |
| ARM010 | | Left Arm Top Flip Back | |
| ARM011 | 2 | Right Arm Top T ARM | |
| ARM012 | | Left Arm Top T ARM | |
| ARM130R | | Right Front Arm Socket | |
| ARMSKT | | Skirt Guard | |
| ARM132 | | Rear Arm Socket - Non-Adjustable | |
| ARM133 | | Rear Arm Socket - Adjustable | |
| UPHA515 | | Desk Length Urethane Armpad | |
| UPHA516 | | Full Length Urethane Armpad | |
| UPHA517 | | Desk Length Padded Armpad | |
| UPHA518 | | Full Length Padded Armpad | |

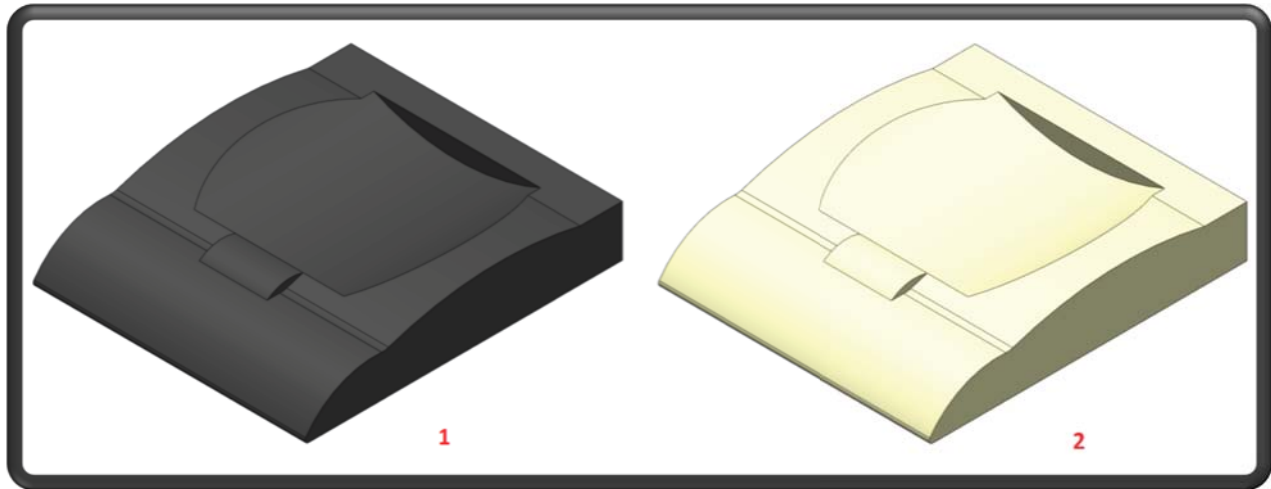
Upholstery



*Specify Size & Colour

| Part No. | Figure No. | Description | Price (\$) |
|---|------------|--|------------|
| UPHB001 UPHS002 UPHB003 UPHS04 | 1 | Padded Vinyl Back Padded Vinyl Seat Padded Black Nylon Back Padded Black Nylon Seat | |
| UPHBS06 UPHS07 UPHBS08 UPHS07 | | Padded Vinyl Heavy Duty Back Padded Vinyl Heavy Duty Seat Padded Nylon Heavy Duty Back Padded Nylon Heavy Duty Seat | |
| UPHB10 UPHS11 UPHB12 UPHSB13 | | Padded Vinyl Extra Heavy Duty Back Padded Vinyl Extra Heavy Duty Seat Padded Nylon Extra Heavy Duty Back Padded Nylon Extra Heavy Duty Seat | |
| UPHS14 | | Solid Pocketed Seat w/Insert | |
| UPHA510 UPHA511 | 2 | 16 - 19" Deep Seat Upholstery Strap 20 - 22" Deep Seat Upholstery Strap | |

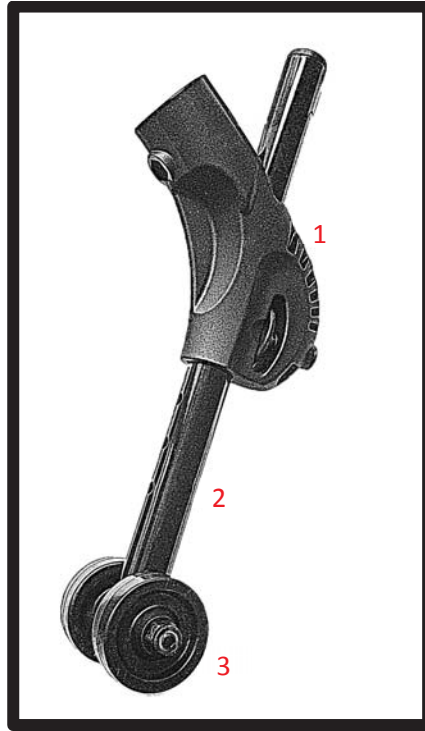
Seat Cushion



| Part No. | Figure No. | Description | Price (\$) |
|----------|------------|--|------------|
| UPHT205 | | Seat Cover Only | |
| UPHT206 | 2 | Seat Foam Only | |
| UPHT207 | | Solid Seat Base (16 - 18") | |
| UPHT208 | | Solid Seat Base (18"+) | |
| COZY#### | | Cozy Cushion Plus (Specify width + depth for Part No.) | |
| MAX#### | | Max Cushion (Specify width + depth for Part No.) | |
| MBX#### | | Max Bariatric Cushion | |
| SDB | | Drop Base with Hooks | |
| | | | |

*Specify Size for #### WIDTH + DEPTH; EXAMPLE: MAX1818 = MAX Cushion 18" W x 18" D

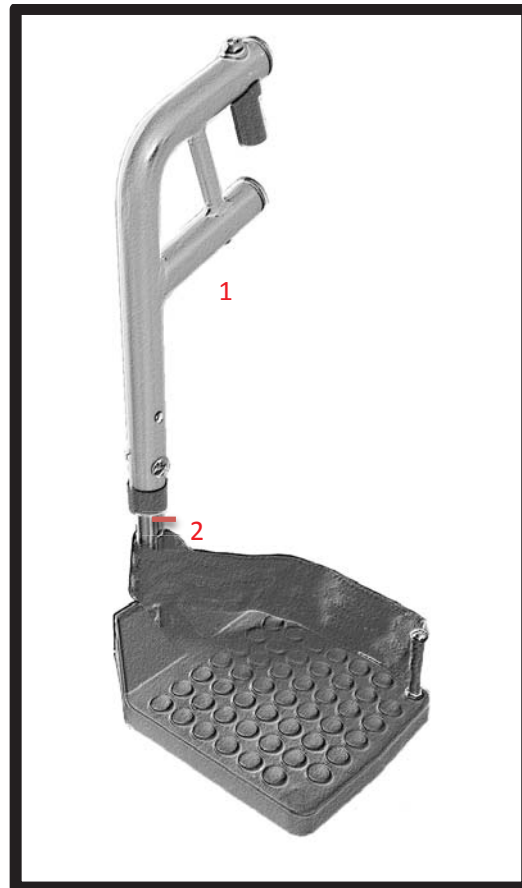
Anti-Tippers



| Part No. | Figure No. | Description | Price (\$) |
|----------|------------|--|------------|
| SFST714 | | Rear Anti-Tippers | |
| SFST715 | 1 | Anti-Tipper Housing | |
| SFST716 | 2 | Anti-Tippers Extension | |
| SF626 | 3 | Anti-Tipper Wheel (Pair) | |
| CATRS | | Clamp On Anti-Tipper Square Bracket (Pair) | |

Footrest

Swing Away



| Part No. | Figure No. | Description | Price (\$) |
|--|------------|--|------------|
| FR9001 FR9002 | 1-3 | Right Swing Away Footrest Assembly Complete Left Swing Away Footrest Assembly Complete Please specify degree and release | |
| FR9003 FR9004 | 1 | Right Swing Away Footrest Bracket Only Left Swing Away Footrest Bracket Only | |
| | | See <i>Footplate</i> Section (Page 18) | |
| FR9005 FR9006 | 2 | Footrest Extension for Plastic & AAF Footrest Extension for Aluminum Footplate | |
| PFPC0016 PFPC0018 PFPC0020 PEPC0068 | | 16" Padded Footplate Cover 18" Padded Footplate Cover 20" Padded Footplate Cover Custom Padded Footplate Cover (Specify Size) | |

Elevating Legrest



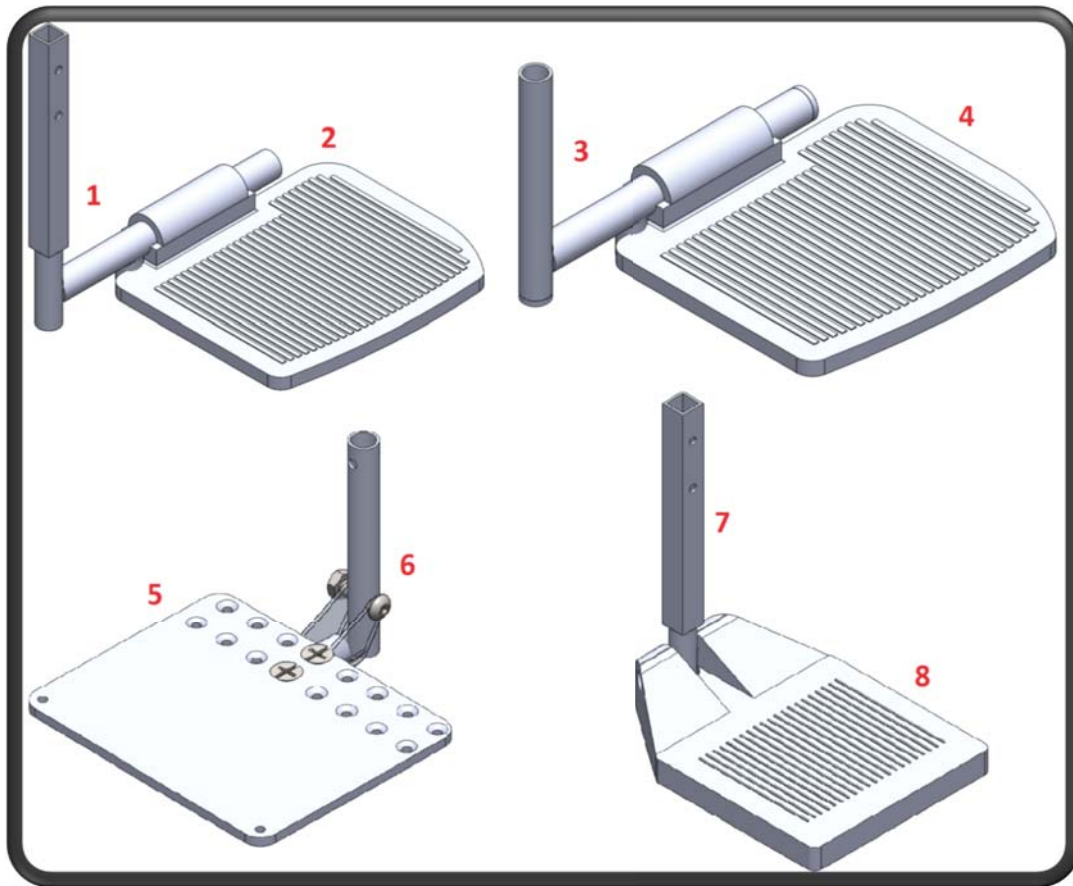
| Part No. | Figure No. | Description | Price (\$) |
|-----------------|-------------------|---|-------------------|
| FR9015 | 1-3 | Right Elevating Legrest Assembly Complete | |
| FR9016 | | Left Elevating Legrest Assembly Complete | |
| FR9017 | 1 | Right Elevating Legrest Bracket | |
| FR9018 | | Left Elevating Legrest Bracket | |
| FR9005 | 2 | Footrest Extension For Plastic & AAF | |
| FR9006 | | Footrest Extension For Aluminum Footplate | |
| | | <i>See Footplate Section</i> | |
| FR9065 | 3 | Padded Legpad | |
| FR9066 | | Molded Urethane Legpad | |

Articulating Legrest



| Part No. | Figure No. | Description | Price (\$) |
|----------|------------|---|------------|
| FR9019 | 1-4 | Right Articulating Legrest Assembly | |
| FR9020 | | Left Articulating Legrest Assembly | |
| FR9021 | 1 | Right Articulating Legrest Bracket | |
| FR9022 | | Left Articulating Legrest Bracket | |
| FR9023 | 2 | Articulating Legrest Extension | |
| FR9023a | | Articulating Legrest Extension for AAF | |
| FR9024 | 3 | Articulating Legrest Height Adjustment Assembly | |
| | | <i>See Footplate Section</i> | |
| FR9065 | 4 | Padded Legpad | |
| FR9066 | | Molded Urethane Legpad | |

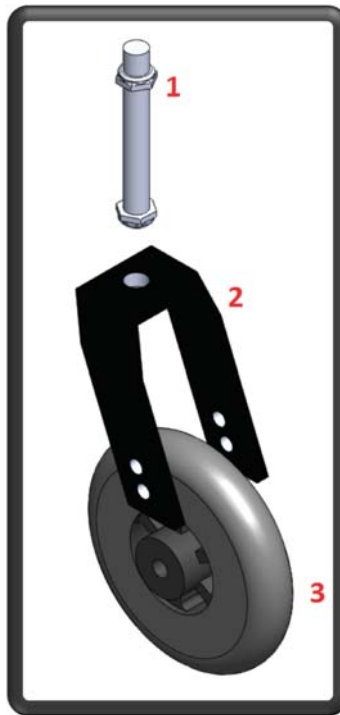
Footplate



**Specify Size*

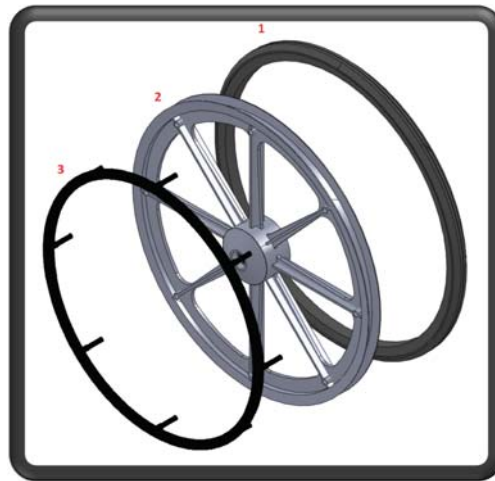
| Part No. | Figure No. | Description | Price (\$) |
|----------|------------|--|------------|
| FR9058 | 8 | Molded Plastic Footplate | |
| FR9059 | 2 | Aluminum Footplate | |
| FR9060 | | Anti-Skid Aluminum Footplate | |
| FR9061 | 5 | Angle Adjustable Footplate | |
| FR9062 | | Aluminum Footplate Spring (Pair) | |
| FR9063 | 4 | Extra Large Aluminum Footplate | |
| FR9064 | | Extra Large ABS Footplate | |
| FR9067 | | Footrest Bracket Pins | |
| 1FB | | One Piece Foot Board | |
| FR9005 | 7 | Footrest Extension For Plastic & AAF | |
| FR9006 | 1 or 3 | Footrest Extension For Aluminum Footplate (Rnd./Sq.) | |

Casters & Forks



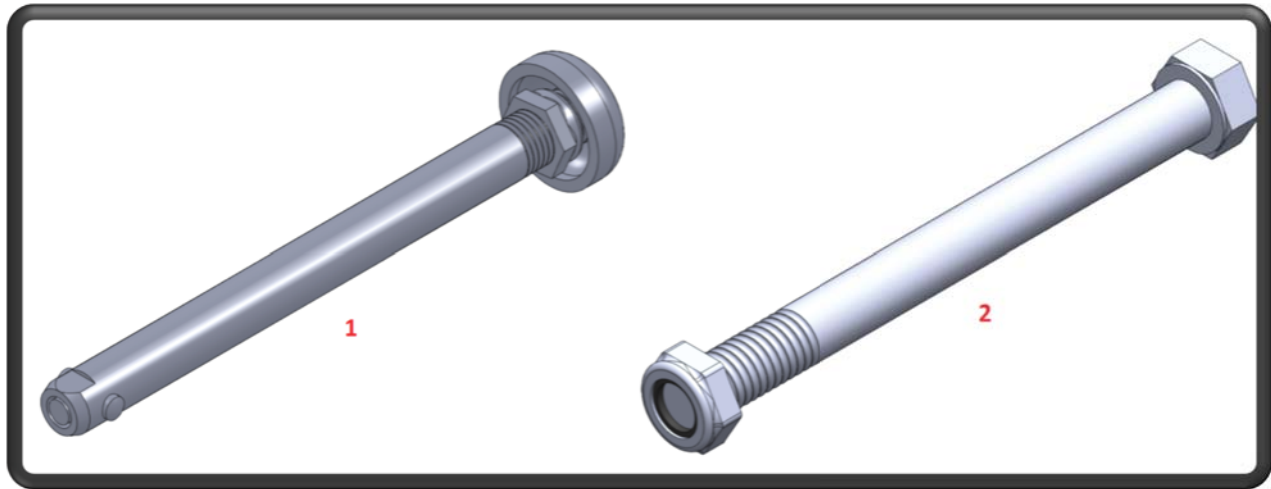
| Part No. | Figure No. | Description | Price (\$) |
|----------|------------|---|------------|
| CASF005 | 1 | Fork Stem W/Grade 5 Nut | |
| CASF001 | 2 | 5 x 1 1/2" Short Aluminum Fork (2 Holes) | |
| CASF002 | | 8 x 1 1/2" Standard Aluminum Fork (5 Holes) | |
| CASF017 | | 6 1/2 x 1 1/2" Standard Aluminum Fork (3 Holes) | |
| CASF003 | 2 | 5 x 2" Steel Fork (2 Holes) | |
| CASF004 | | 8 x 2" Steel Fork (5 Holes) | |
| CASF018 | | 6 1/2 x 2" Steel Fork (3 Holes) | |
| CASF006 | | 5/16 x 2 1/4" Grade 5 Caster Axle W/Nut | |
| CASF007 | | 5/16 x 2 3/4" Grade 5 Caster Axle W/Nut | |
| CASF008 | | 5/16 x 1/4" Caster Spacer | |
| CASF009 | | 5/16 x 1/2" Caster Spacer | |
| CAS5100 | 3 | 5 x 1" Caster Assembly (Urethane Tire) | |
| CAS5175 | | 5 x 1 3/4" Caster Assembly (Urethane Tire) | |
| CAS6125 | 3 | 6 x 1 1/4" Caster Assembly (Urethane Tire) | |
| CAS6175 | | 6 x 1 3/4" Caster Assembly (Urethane Tire) | |
| CAS8100 | 3 | 8 x 1" Caster Assembly (Urethane Tire) | |
| CAS8125 | | 8 x 1 1/4" Caster Assembly (Urethane Tire) | |
| CAS8175 | | 8 x 1 3/4" Caster Assembly (Urethane Tire) | |
| CAS200 | 3 | 8 x 2" Caster Assembly (Urethane Tire) | |
| CASJ001 | | Caster Journal with hard ware | |
| CASC001 | | Caster Journal Cap | |

Wheels



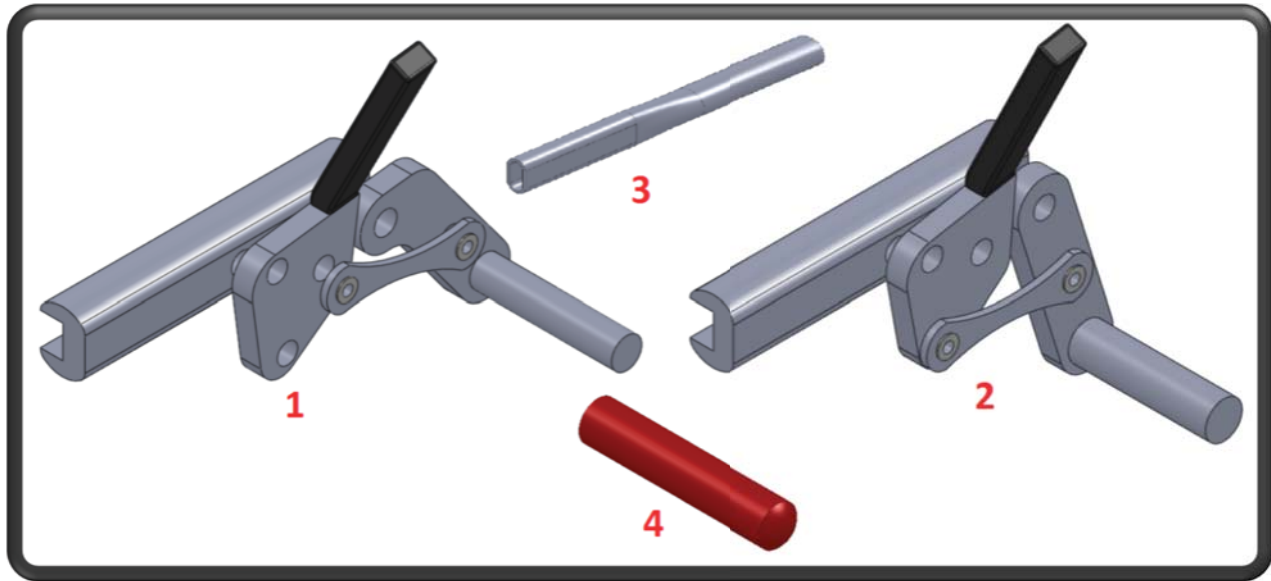
| Part No. | Figure No. | Description | Price (\$) |
|----------------------------------|------------|---|------------|
| W24A1U W22A1U | 1-3 | 24 x 1" Wheel Assembly 22 x 1" Wheel Assembly | |
| W24A138U W22A138U W20A138U | 1-3 | 24 x 1 3/4" Wheel Assembly (Threaded Urethane Tire) 22 x 1 3/4" Wheel Assembly (Threaded Urethane Tire) 20 x 1 3/4" Wheel Assembly (Threaded Urethane Tire) | |
| W24H W22H | | 24" Eight Spoke Molded Hub 22" Eight Spoke Molded Hub | |
| W24LPU W22LPU | 1 | 24 x 1" Low Profile Urethane Tire 22 x 1" Low Profile Urethane Tire | |
| W24TU W22TU | 1 | 24 x 1 3/8" Threaded Urethane Tire 22 x 1 3/8" Threaded Urethane Tire | |
| W24AT W22AT | 1 | 24 x 1 3/8" Threaded Air Tire 22 x 1 3/8" Threaded Air Tire | |
| W24ATT W22ATT | | 24 x 1 3/8" Inner Air Tube 22 x 1 3/8" Inner Air Tube | |
| W24CH W22CH | 3 | 24" Eight Point Chrome Handrim 22" Eight Point Chrome Handrim | |
| W24PCH W22PCH W20PCH | 3 | 24" Eight Point Plastic Coated Handrim 22" Eight Point Plastic Coated Handrim 20" Eight Point Plastic Coated Handrim | |
| W24SSH W22SSH W20SSH | 3 | 24" Eight Point Stainless Steel Handrim 22" Eight Point Stainless Steel Handrim 20" Eight Point Stainless Steel Handrim | |
| W20AHR | 3 | 20" Grey Aluminum Coated Handrim | |
| WH24HC WH22HC WH20HC | | 24" Wheel Hub Cap 22" Wheel Hub Cap 20" Wheel Hub Cap | |
| BER001 BER002 | | 5/16" x 22mm bearing for casters 1/2" x 1 1/8" x 3/8" bearing for large rear wheels | |

Rear Axle And Nut



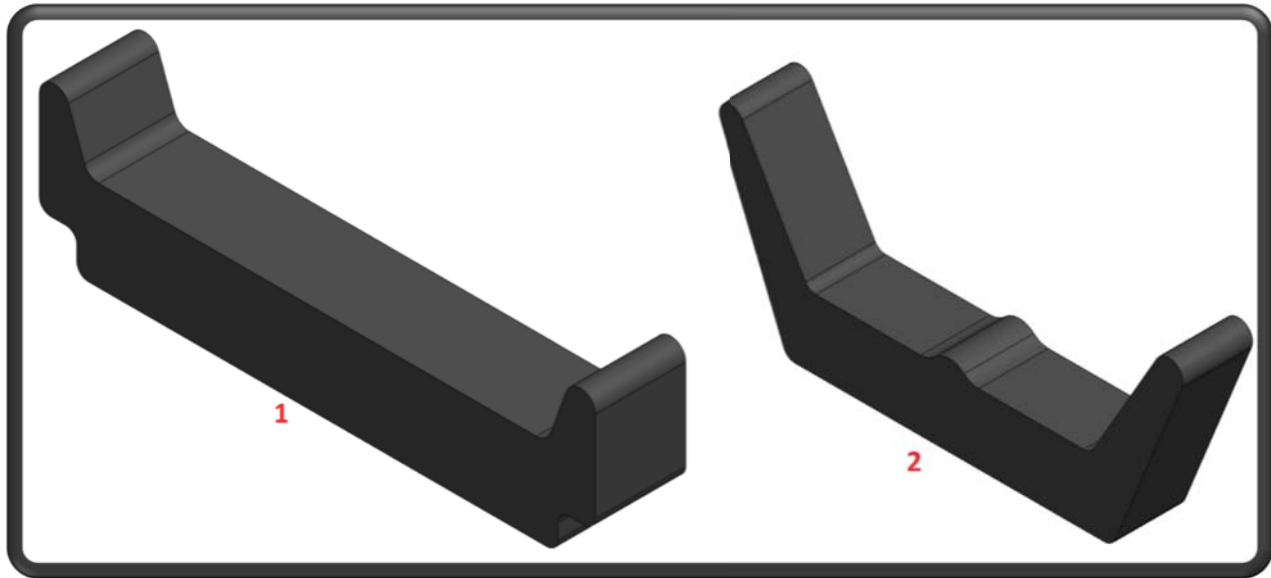
| Part No. | Figure No. | Description | Price (\$) |
|------------|------------|---|------------|
| W202224QR1 | 1 | ½ x 3.5" Quick Release Axle | |
| W20222RA1 | 2 | ½ x 4 ½" Grade 5 Rear Axle And Nut | |
| W20222RA2 | | ½ x 3 ¾" Grade 5 Rear Axle And Nut | |
| W20222RA3 | | ½ x 5" Grade 5 Rear Axle And Nut | |
| W20222RA4 | | ½ x 5 ½" Grade 5 Rear Axle And Nut | |
| WL1HS | | Handrim Spacers (Set of 8 for 20, 22, 24" Handrims) | |
| W2HSC | | Handrim Screws (Set of 8 for Molded on Spacer Only) | |
| | | | |
| | | | |
| | | | |
| | | | |

Brakes



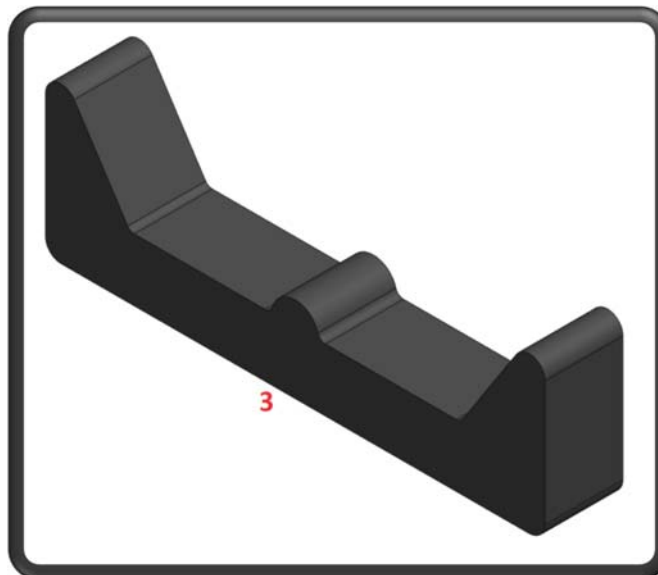
| Part No. | Figure No. | Description | Price (\$) |
|----------------------|------------|---|------------|
| B01SPTR B01SPTL | 1 | Right 7/8" Steel Pull-To-Lock Left 7/8" Steel Pull-To-Lock | |
| B02APTR B02APTL | 1 | Right 7/8" Aluminum Pull-To-Lock Left 7/8" Aluminum Pull-To-Lock | |
| B03APTR1 B03APTL1 | 1 | Right 1" Aluminum Pull-To-Lock Left 1" Aluminum Pull-To-Lock | |
| B04SPHTR B04SPHTL | 2 | Right 7/8" Steel Push-To-Lock Left 7/8" Steel Push-To-Lock | |
| B05APTR B05APTL | 2 | Right 7/8" Aluminum Push-To-Lock Left 7/8" Aluminum Push-To-Lock | |
| B05APTR1 B05APTL1 | 2 | Right 1" Aluminum Push-To-Lock Left 1" Aluminum Push-To-Lock | |
| BRX9 BRX6 BRX4 | 3 | 9" Brake Extension (Pair) 6" Brake Extension (Pair) 4" Brake Extension (Pair) | |
| BRX015C | 4 | Brake Extension Caps | |
| UNIBRX | | One Hand Brake System For Folding Chairs (Set) Includes: Brakes, Cable, Clamps, Tool | |
| ATTBRX | | Attendant Brake (Specify Left/Right) | |

Contour Legrest Channel

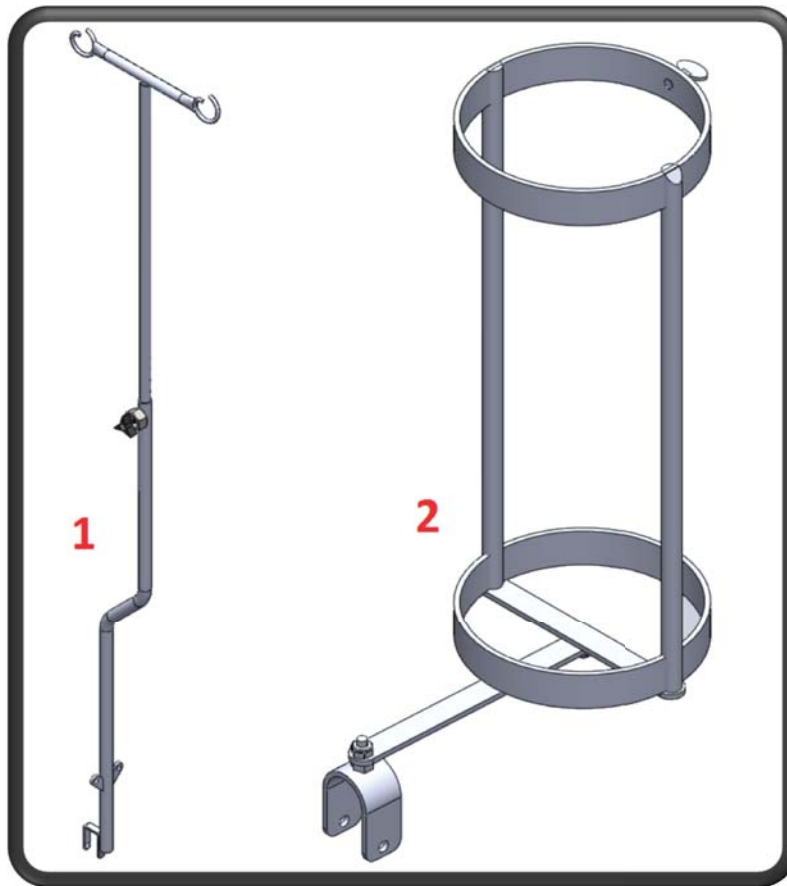


*Specify size (Part No. changes). Ex. 20" Channel = CLC-20, Indicate Passive or Aggressive Style

| Part No. | Figure No. | Description | Price (\$) |
|----------|------------|--|------------|
| CLC-# | 1 | No Pommel Legrest Channel – Standard No Pommel Legrest Channel – Custom | |
| CLC-# | 2 | Tapered Contour Legrest Channel – Standard Tapered Contour Legrest Channel – Custom | |
| CLC-# | 3 | Squared Contour Legrest Channel – Standard Squared Contour Legrest Channel – Custom | |

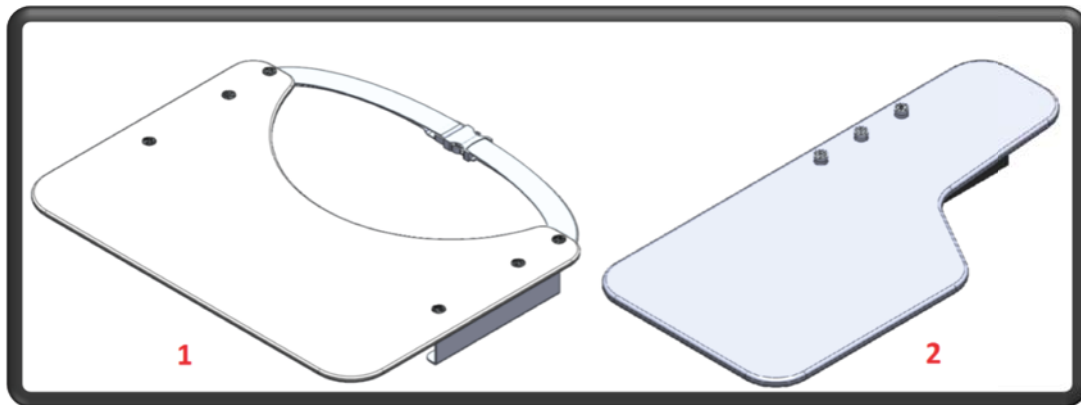


IV Poles & Oxygen Tank Holder



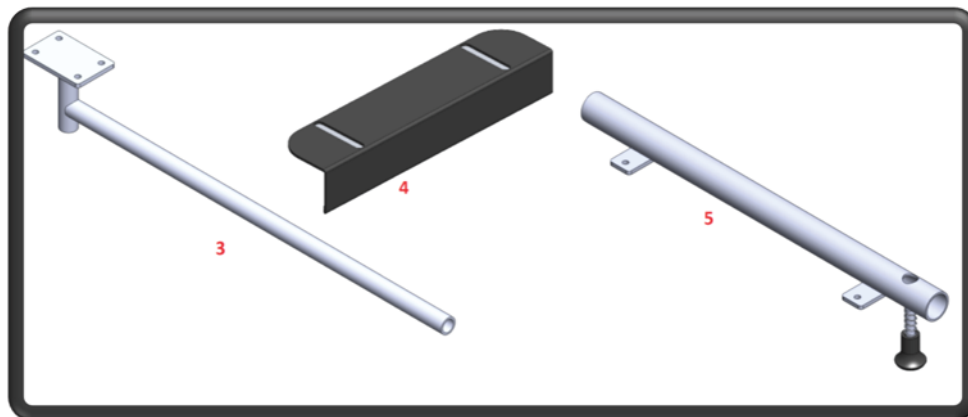
| Part No. | Figure No. | Description | Price (\$) |
|----------|------------|---------------------------------------|------------|
| ACC001 | 1 | Adjustable IV Pole | |
| ACC002 | | Non-Adjustable IV Pole | |
| ACC007 | | Cane & Crutch Holder | |
| ACC008 | 2 | Oxygen Tank Holder | |
| ACC008MG | | Oxygen Tank Holder w/2-Point Mounting | |

Trays



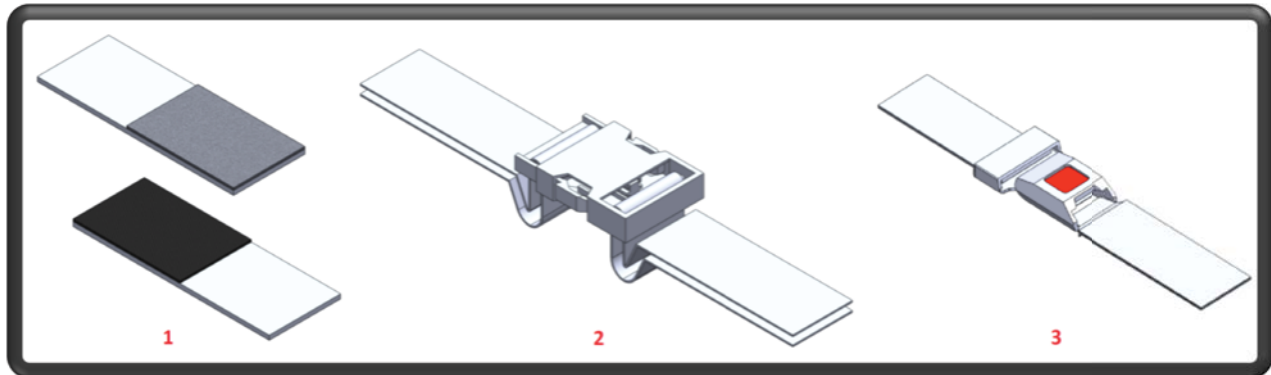
*Specify if Lock-in or Slide-on

| Part No. | Figure No. | Description | Price (\$) |
|----------|------------|---|------------|
| ACC010 | 1 | Full Padded Lap Tray Complete w/Brackets | |
| ACC011 | | Full Clear Lap Tray Complete w/Brackets | |
| ACC012 | | Full Unpadded Lap Tray Complete w/Brackets | |
| ACC013 | 2 | Right Half Padded Lap Tray Complete w/Bracket | |
| ACC014 | | Left Half Padded Lap Tray Complete w/Bracket | |
| ACC015 | | Right Half Clear Lap Tray Complete w/Bracket | |
| ACC016 | | Left Half Clear Lap Tray Complete w/Bracket | |
| ACC017 | 4 | Aluminum Slide on Bracket | |
| ACC018 | 3 | Right Wheelchair Tray Rod | |
| ACC019 | 5 | Left Wheelchair Tray Rod (Locking) | |
| ACC020 | 3 | Right Wheelchair Tray Bracket (Armpad) | |
| ACC021 | 5 | Left Wheelchair Tray Bracket (Locking Armpad) | |
| CHPTR | | Right Arm Trough | |
| CHPTL | | Left Arm Trough | |



* Please include -P after the each part number and include the product code "MGP" after the Part No.
 Ex: UPHT218-PMGP for Molded Swivel Headrest for the Magic Plus.

Seatbelts



| Part No. | Figure No. | Description | Price (\$) |
|----------|------------|---------------------------|------------|
| UPHA501 | 1 | Velcro Seatbelt | |
| UPHA502 | 2 | Plastic (Fastex) Seatbelt | |
| UPHA503 | 3 | Auto Style Seatbelt | |
| UPHA504 | | 4 - Point Seatbelt | |
| SBSCPAD | | Padded Seatbelt Cover | |

Nylon Padded Leg Strap

| | | | |
|---------|--|----------------------------------|--|
| UPHA506 | | Nylon Padded Legstrap (8" High) | |
| UPHA507 | | Nylon Padded Legstrap (12" High) | |
| UPHA509 | | Heel Loop | |

Adductors

| | | | |
|-------|--|-------------------|--|
| ADD8 | | Adductor 8" long | |
| ADD10 | | Adductor 10" long | |
| ADD12 | | Adductor 12" long | |