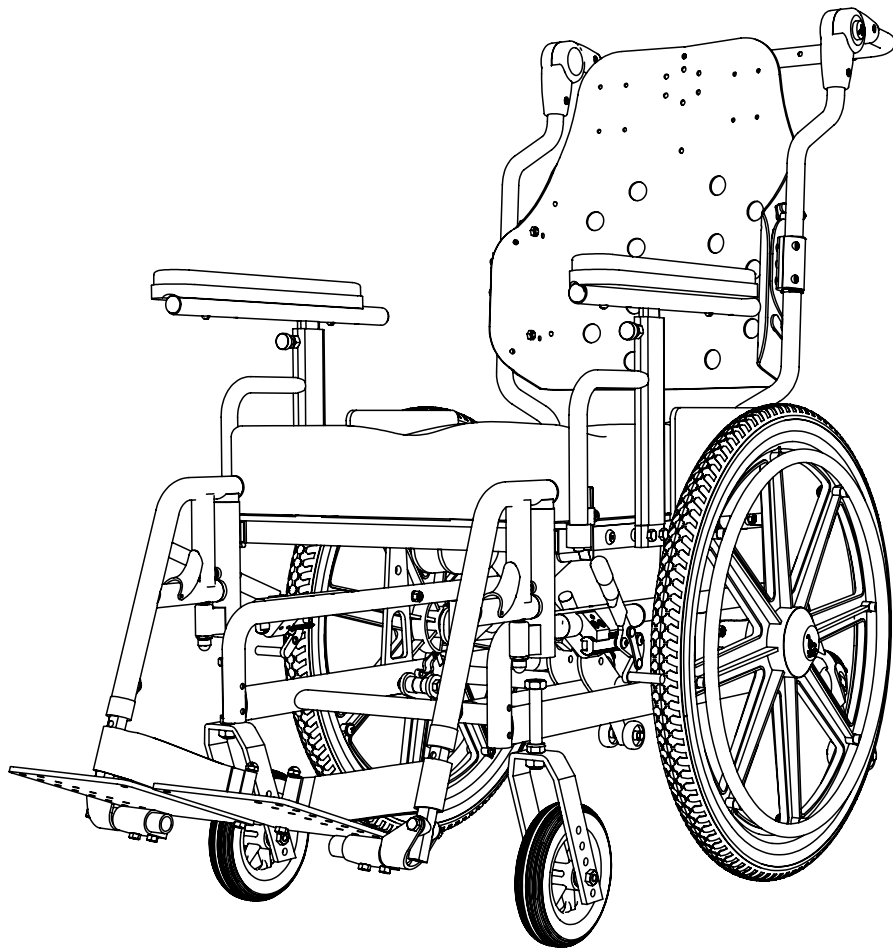


TILT

NVTILT

NVTilt

PARTS BOOK



CONTENTS

FRAMES

NVTILT - UPPER FRAME	6
NVTILT- LOWER FRAME	8

SEATS

ABS SEAT PAN	10
AMPUTEE BOARD ON FOOTREST	12
AMPUTEE SEAT PAN	14
AIRFLOW CUSHION	16

ARMS

NVTILT - ARM REST	18
ARM TOP	20
ARM PADS	22
ARM BLOCK - STANDARD	23

FOOTRESTS

PIVOT FOOTREST	24
PIN-STYLE FOOTREST	26
ELEVATING LEGREST PIVOT	28
ARTICULATING LEGREST PIVOT	30
ELEVATING LEGREST PIN-STYLE	32
ARTICULATING LEGREST PIN-STYLE	34
70 DEGREE PIVOT FOOTREST	36
ONE PIECE FOOT BOARD	37
PIVOT FOOTREST RECEIVER OFFSET	38
PIVOT FOOTREST RECEIVER	39
PIN-STYLE FOOTREST RECEIVER	40
GUARD COVERS	41
ELEVATING LEGREST SYSTEM ONE PIECE	42
FOOTBOX	44
FOOT POCKET	46

HEADRESTS

MULTI AXIS NECK (S-BEND)	48
MULTI AXIS NECK (L-BEND)	49
VERTICAL HORIZONTAL NECK 1/2	50
VERTICAL HORIZONTAL NECK 3/4	51
VERTICAL HORIZONTAL MULTI-AXIS NECK 1/2	52
HEADREST PADS	53
UNIVERSAL HEADREST MOUNT	54
HEADREST MOUNT 1/2	55
HEADREST MOUNT 3/4	56
STRAIGHT HEADREST MOUNTING BRACKET	57
LATERAL FIXED STANDARD	58
LATERAL FIXED SHORT	59
LATERAL FIXED LONG	60
LATERAL MULTI-AXIS 90	61
COMMODE - HEADREST	62
LATERAL SWING AWAY	63

SPREADER BARS

SPREADER BAR - FIXED BAR, FIXED JOINT	64
---	----

SPREADER BAR - ADJUSTABLE BAR & JOINT	65
SPREADER BAR - ADJUSTABLE BAR & JOINT, RECLINE	66
SPREADER BAR - FIXED BAR, ADJUSTABLE JOINT	67
SPREADER BAR - FIXED BAR, ADJUSTABLE JOINT, RECLINE	68
SPREADER BAR - ADJUSTABLE BAR, FIXED JOINT, HEADREST MOUNT	69

BACKPOST

ANGLE ADJUSTABLE BACK	70
NVTILT BACKPOST	71
BACK PINS	72
BACKPOST CLAMP	73

CYLINDERS

TILT CYLINDERS (STP)	74
TILT CYLINDER CABLE (STP)	75
SELF TILT ACTUATOR	76

ANTI-TIPPERS

ANTI-TIPPER	78
ANTI-TIPPER SHORT	79

WHEEL LOCKS

ALUMINUM WHEEL LOCK	80
STEEL WHEEL LOCK	81
ONE HANDED WHEEL LOCK	82
NVTILT - AXLE PLATE	83
AXLE	84

REAR WHEELS

COMPOSITE WHEEL	86
SPOKE WHEEL	88
COMPOSITE WHEEL HEAVY DUTY	89

CASTERS

CASTERS AND FORKS	90
TILT CHAIR - CASTER MOUNT	92

ACCESSORIES

I.V. POLE OFFSET	94
I.V. POLE STRAIGHT	95
OXYGEN TANK HOLDER	96
ADDUCTOR - L-BRACKET	98
ADDUCTOR - P-CLIP	99
ADDUCTOR WEDGE - P-CLIP	100
AUTO-STYLE BELT	102
NYLON LEG STRAP	104
LEG CHANNEL	105
TILT CHAIR - TIE DOWN - FRONT	106
TILT CHAIR - TIE DOWN - REAR	107

TRAYS

FULL TRAY - LOCKING	108
FULL TRAY - SLIDE ON	109
HALF TRAY - SLIDE ON	110
TROUGH TRAY - SLIDE ON	111

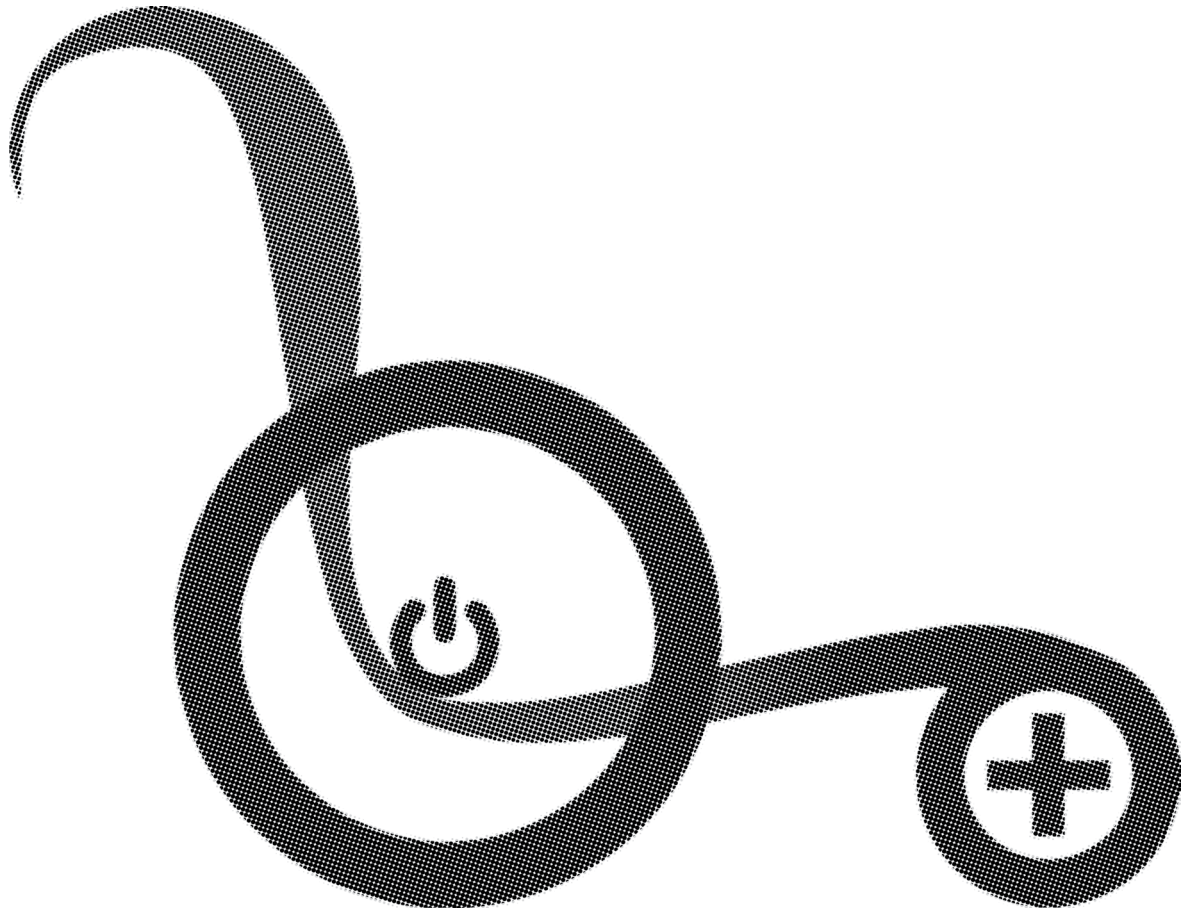
REFERENCE INDEX

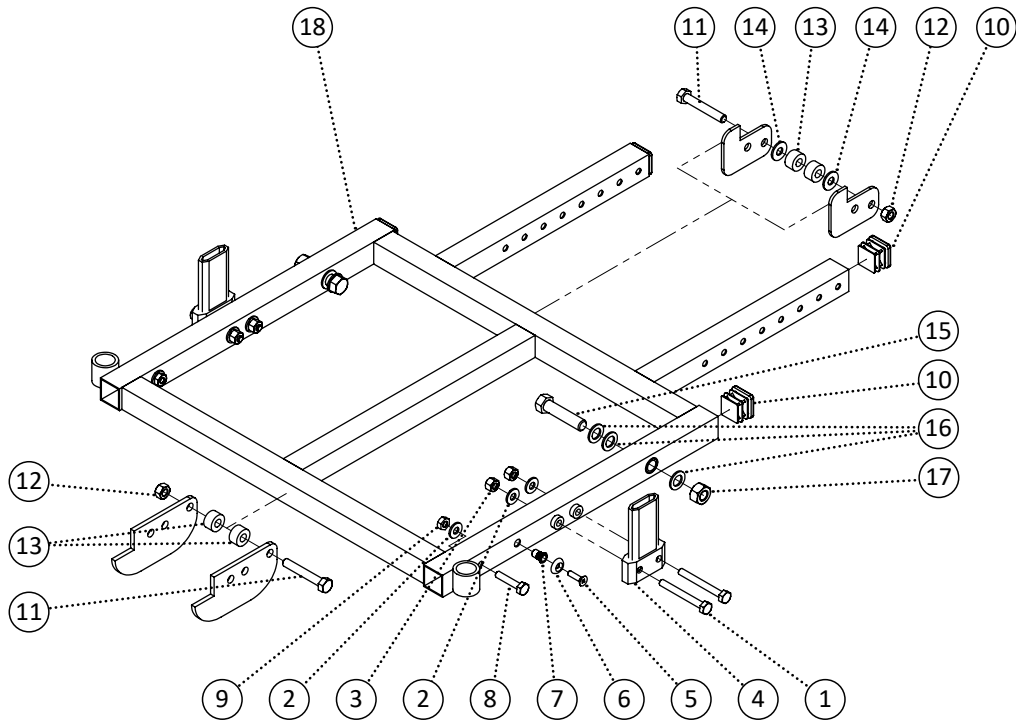
At Power Plus Mobility, we care!

Thank you for choosing a wheelchair from Power Plus Mobility Inc. We are always improving in our ways to serve you better and would love to hear your questions or comments about our literatures, the reliability of our chairs and service you received while making the decision of choosing our wheelchair. Please feel free to contact us via our email address: customer@powerplusmobility.com

QUESTIONS REGARDING YOUR WHEELCHAIR?

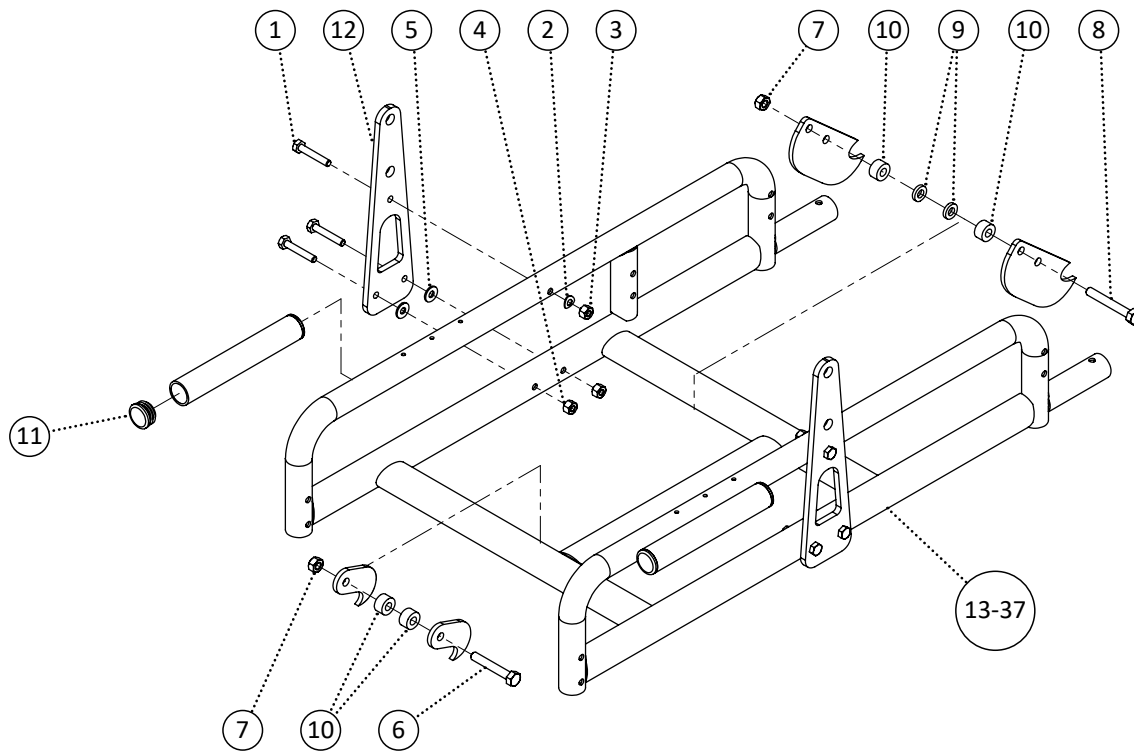
The best way to get your questions answered is by your authorized wheelchair dealer since they know your wheelchair and have the training for it. Please fill in your dealers information below so you have it handy just in case you have any questions or concerns about your wheelchair. Your dealer will guide you on the right direction to take any further steps.





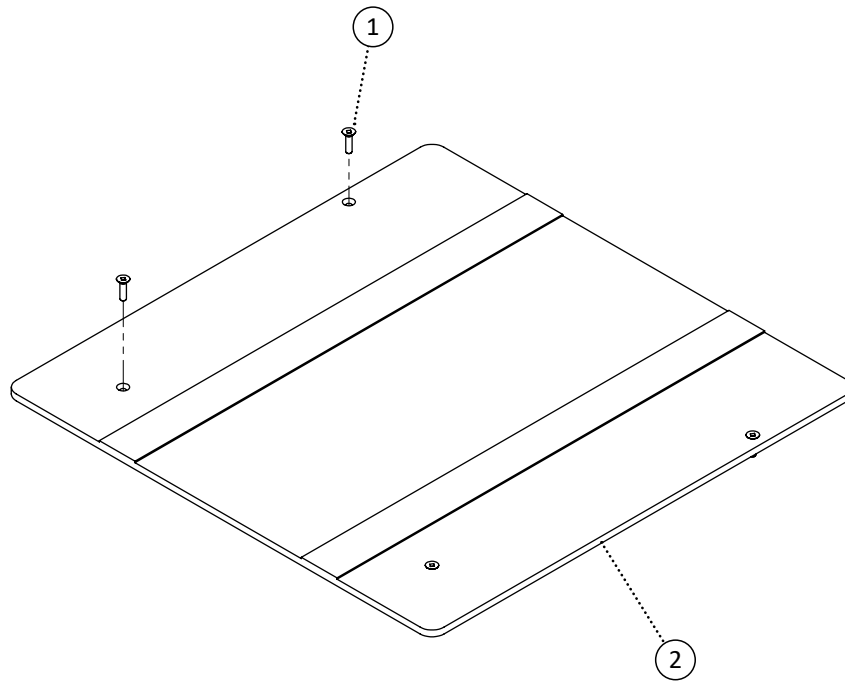
Item	REF Number	Description	Quantity	MSRP	Notes
1	549335	Screw, Hex Bolt 1/4-20 x 2-1/4	4		
2	549423	Washer, Flat Washer 1/4 ID. x 5/8 OD.	6		
3	548859	Nut, Nylon Lock Nut 1/4-20	4		
4	548406	Block, Arm Block Extrusion Regular	2		
5	549324	Screw, Flat Head 10-32 x 3/4	4		
6	549418	Washer, Finishing Washer #10	4		
7	548879	Nut, Rivet Nut 10-32	4		
8	549329	Screw, Hex Bolt 1/4-20 x 1-1/4	2		
9	548870	Nut, Nylon Lock Nut Thin 1/4-20	2		
10	548478	Cap, 1 Square Cap	4		
11	549339	Screw, Hex Bolt 5/16-18 x 2	2		
12	548862	Nut, Nylon Lock Nut 5/16-18	2		
13	549394	Spacer, Nylon Spacer 8.3mm ID. x 18mm OD. x .10mmthk	4		
14	549430	Washer, Nylon Washer 5/16 ID. x 3/4 OD. x .063thk	2		
15	549344	Screw, Hex Bolt 7/16-14 x 2-1/2	2		
16	549432	Washer, Nylon Washer 7/16 ID. x 3/4 OD. x .063thk	6		
17	548864	Nut, Nylon Lock Nut 7/16-14	2		
18	550442	PPM, NVTilt Upper Frame 16 x 16	1		
19	550443	PPM, NVTilt Upper Frame 16 x 17	1		

Item	REF Number	Description	Quantity	MSRP	Notes
20	550444	PPM, NVTilt Upper Frame 16 x 18	1		
21	550445	PPM, NVTilt Upper Frame 16 x 19	1		
22	550446	PPM, NVTilt Upper Frame 16 x 20	1		
23	550447	PPM, NVTilt Upper Frame 17 x 16	1		
24	550448	PPM, NVTilt Upper Frame 17 x 17	1		
25	550449	PPM, NVTilt Upper Frame 17 x 18	1		
26	550450	PPM, NVTilt Upper Frame 17 x 19	1		
27	550451	PPM, NVTilt Upper Frame 17 x 20	1		
28	550452	PPM, NVTilt Upper Frame 18 x 16	1		
29	550453	PPM, NVTilt Upper Frame 18 x 17	1		
30	550454	PPM, NVTilt Upper Frame 18 x 18	1		
31	550455	PPM, NVTilt Upper Frame 18 x 19	1		
32	550456	PPM, NVTilt Upper Frame 18 x 20	1		
33	550457	PPM, NVTilt Upper Frame 19 x 16	1		
34	550458	PPM, NVTilt Upper Frame 19 x 17	1		
35	550459	PPM, NVTilt Upper Frame 19 x 18	1		
36	550460	PPM, NVTilt Upper Frame 19 x 19	1		
37	550461	PPM, NVTilt Upper Frame 19 x 20	1		
38	550462	PPM, NVTilt Upper Frame 20 x 16	1		
39	550463	PPM, NVTilt Upper Frame 20 x 17	1		
40	550464	PPM, NVTilt Upper Frame 20 x 18	1		
41	550465	PPM, NVTilt Upper Frame 20 x 19	1		
42	550466	PPM, NVTilt Upper Frame 20 x 20	1		



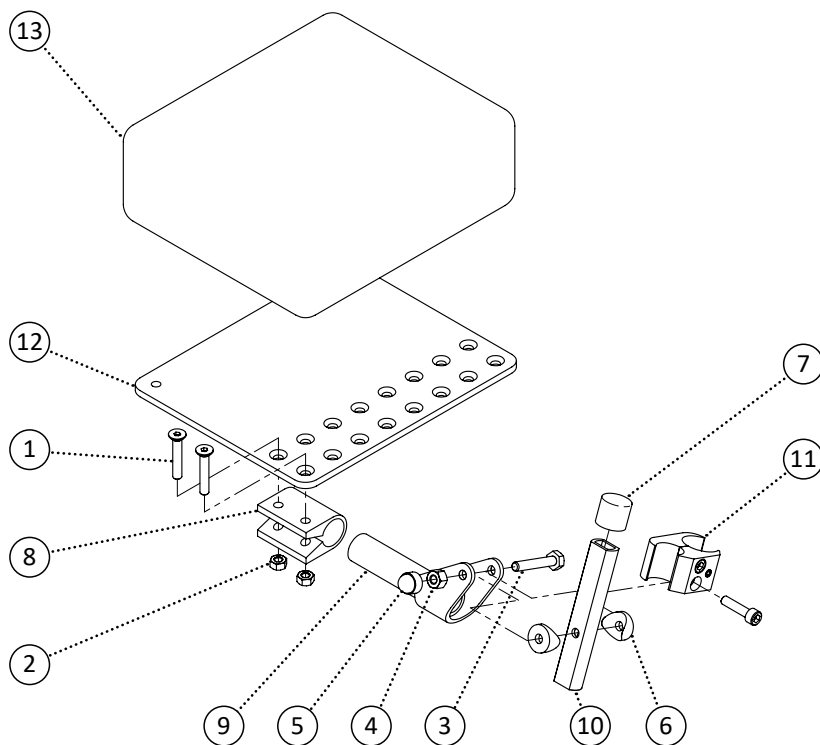
Item	REF Number	Description	Quantity	MSRP	Notes
1	549327	Screw, Hex Bolt 1/4-20 x 1-1/2	6		
2	549414	Washer, Curved Washer 1/4 ID. x 1/2 OD. x .037thk	2		
3	548870	Nut, Nylon Lock Nut Thin 1/4-20	2		
4	548859	Nut, Nylon Lock Nut 1/4-20	4		
5	549428	Washer, Nylon Washer .265ID x 5/8 OD x .063th	2		
6	549339	Screw, Hex Bolt 5/16-18 x 2	1		
7	548862	Nut, Nylon Lock Nut 5/16-18	2		
8	549341	Screw, Hex Bolt 5/16-18 x 2-1/4	1		
9	549389	Spacer, Nylon Spacer 5/16 ID. x .6 OD x .12thk (wht)	2		
10	549394	Spacer, Nylon Spacer 8.3mm ID. x 18mm OD. x .10mmthk	4		
11	548495	Cap, Round Plug 1 x 14ga	4		
12	548441	Bracket, STP Tilt Bracket	2		
13	550441	PPM, NVTilt Lower Frame 18 x 16	1		
14	550442	PPM, NVTilt Lower Frame 18 x 17	1		
15	550443	PPM, NVTilt Lower Frame 18 x 18	1		
16	550444	PPM, NVTilt Lower Frame 18 x 19	1		
17	550445	PPM, NVTilt Lower Frame 18 x 20	1		
18	550446	PPM, NVTilt Lower Frame 19 x 16	1		
19	550447	PPM, NVTilt Lower Frame 19 x 17	1		

Item	REF Number	Description	Quantity	MSRP	Notes
20	550448	PPM, NVTilt Lower Frame 19 x 18	1		
21	550449	PPM, NVTilt Lower Frame 19 x 19	1		
22	550450	PPM, NVTilt Lower Frame 19 x 20	1		
23	550451	PPM, NVTilt Lower Frame 20 x 16	1		
24	550452	PPM, NVTilt Lower Frame 20 x 17	1		
25	550453	PPM, NVTilt Lower Frame 20 x 18	1		
26	550454	PPM, NVTilt Lower Frame 20 x 19	1		
27	550455	PPM, NVTilt Lower Frame 20 x 20	1		
28	550456	PPM, NVTilt Lower Frame 21 x 16	1		
29	550457	PPM, NVTilt Lower Frame 21 x 17	1		
30	550458	PPM, NVTilt Lower Frame 21 x 18	1		
31	550459	PPM, NVTilt Lower Frame 21 x 19	1		
32	550460	PPM, NVTilt Lower Frame 21 x 20	1		
33	550461	PPM, NVTilt Lower Frame 22 x 16	1		
34	550462	PPM, NVTilt Lower Frame 22 x 17	1		
35	550463	PPM, NVTilt Lower Frame 22 x 18	1		
36	550464	PPM, NVTilt Lower Frame 22 x 19	1		
37	550465	PPM, NVTilt Lower Frame 22 x 20	1		

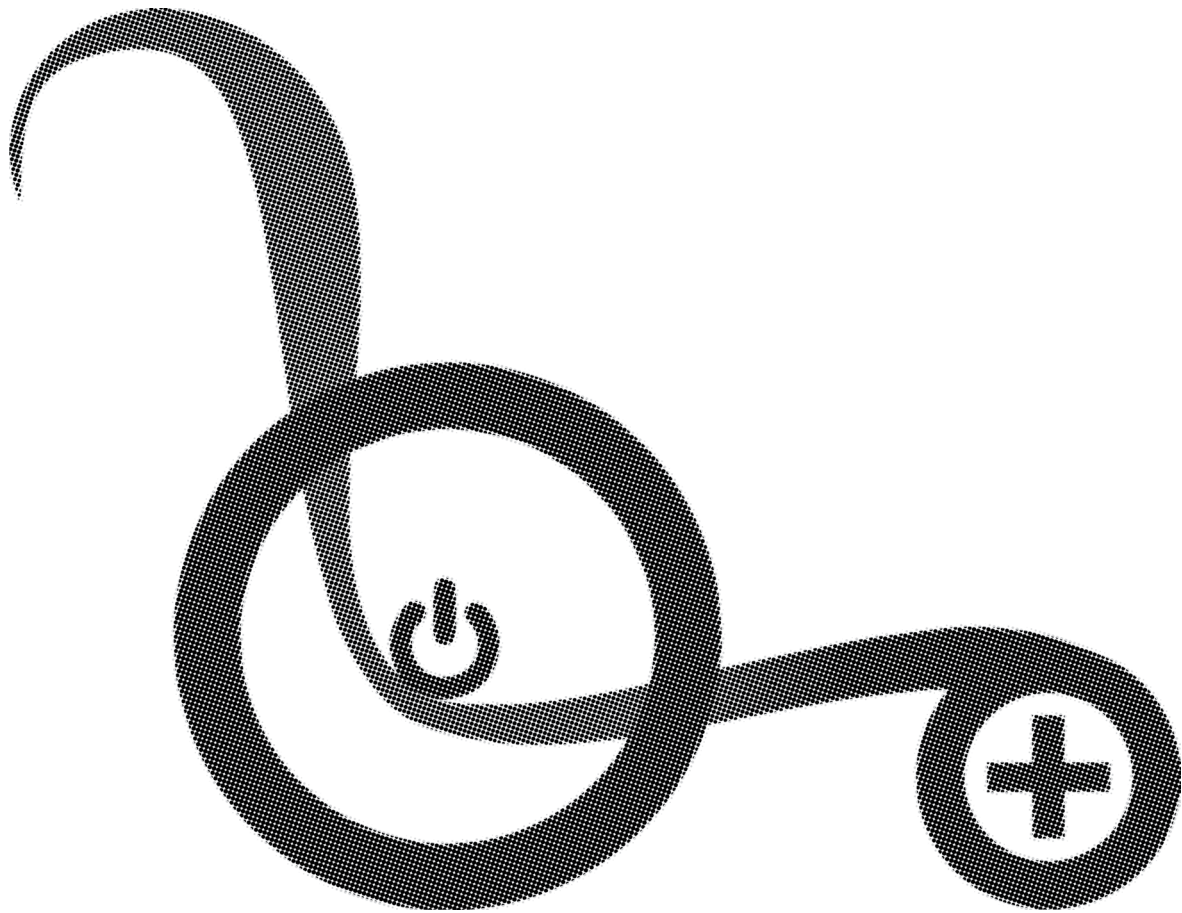


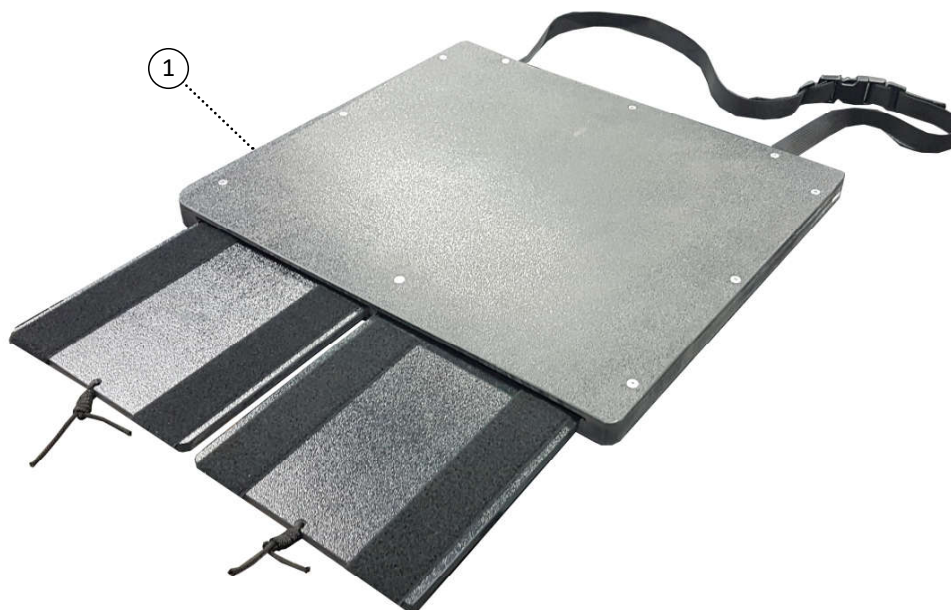
Item	REF Number	Description	Quantity	MSRP	Notes
1	549324	Screw, Flat Head 10-32 x 3/4	4		
2	549736	PPM, ABS Seat Pan 16 x 16 x 1/4	1		
3	549737	PPM, ABS Seat Pan 16 x 17 x 1/4	1		
4	549738	PPM, ABS Seat Pan 16 x 18 x 1/4	1		
5	549739	PPM, ABS Seat Pan 16 x 19 x 1/4	1		
6	549740	PPM, ABS Seat Pan 16 x 20 x 1/4	1		
7	549741	PPM, ABS Seat Pan 18 x 16 x 1/4	1		
8	549742	PPM, ABS Seat Pan 18 x 17 x 1/4	1		
9	549743	PPM, ABS Seat Pan 18 x 18 x 1/4	1		
10	549744	PPM, ABS Seat Pan 18 x 19 x 1/4	1		
11	549745	PPM, ABS Seat Pan 18 x 20 x 1/4	1		
12	549746	PPM, ABS Seat Pan 19 x 16 x 1/4	1		
13	549747	PPM, ABS Seat Pan 19 x 17 x 1/4	1		
14	549748	PPM, ABS Seat Pan 19 x 18 x 1/4	1		
15	549749	PPM, ABS Seat Pan 19 x 19 x 1/4	1		
16	549750	PPM, ABS Seat Pan 19 x 20 x 1/4	1		
17	549751	PPM, ABS Seat Pan 20 x 16 x 1/4	1		
18	549752	PPM, ABS Seat Pan 20 x 17 x 1/4	1		
19	549753	PPM, ABS Seat Pan 20 x 18 x 1/4	1		

Item	REF Number	Description	Quantity	MSRP	Notes
20	549754	PPM, ABS Seat Pan 20 x 19 x 1/4	1		
21	549755	PPM, ABS Seat Pan 20 x 20 x 1/4	1		
22	549756	PPM, ABS Seat Pan 16 x 16 x 3/8	1		
23	549757	PPM, ABS Seat Pan 16 x 17 x 3/8	1		
24	549758	PPM, ABS Seat Pan 16 x 18 x 3/8	1		
25	549759	PPM, ABS Seat Pan 16 x 19 x 3/8	1		
26	549760	PPM, ABS Seat Pan 16 x 20 x 3/8	1		
27	549761	PPM, ABS Seat Pan 18 x 16 x 3/8	1		
28	549762	PPM, ABS Seat Pan 18 x 17 x 3/8	1		
29	549763	PPM, ABS Seat Pan 18 x 18 x 3/8	1		
30	549764	PPM, ABS Seat Pan 18 x 19 x 3/8	1		
31	549765	PPM, ABS Seat Pan 18 x 20 x 3/8	1		
32	549766	PPM, ABS Seat Pan 19 x 16 x 3/8	1		
33	549767	PPM, ABS Seat Pan 19 x 17 x 3/8	1		
34	549768	PPM, ABS Seat Pan 19 x 18 x 3/8	1		
35	549769	PPM, ABS Seat Pan 19 x 19 x 3/8	1		
36	549770	PPM, ABS Seat Pan 19 x 20 x 3/8	1		
37	549771	PPM, ABS Seat Pan 20 x 16 x 3/8	1		
38	549772	PPM, ABS Seat Pan 20 x 17 x 3/8	1		
39	549773	PPM, ABS Seat Pan 20 x 18 x 3/8	1		
40	549774	PPM, ABS Seat Pan 20 x 19 x 3/8	1		
41	549775	PPM, ABS Seat Pan 20 x 20 x 3/8	1		



Item	REF Number	Description	Quantity	MSRP	Notes
1	549325	Screw, Flat Head M6-1.0 x 30	2		
2	548866	Nut, Nylon Lock Nut M6-1.0	2		
3	549327	Screw, Hex Bolt 1/4-20 x 1-1/2	1		
4	548859	Nut, Nylon Lock Nut 1/4-20	1		
5	548480	Cap, 1/4 Nut Cap	1		
6	549434	Washer, Radius Washer 1/4 ID. x 3/4 OD. x 3/4cu	2		
7	549731	Cap, 3/4 Short Rubber Cap	1		
8	548521	Footplate, Angle Adjust Hinge Clamp	1		
9	548522	Footplate, Angle Adjust Hinge Clamp Extension	1		
10	549732	PPM, Angle Adjust Extension Amputee Board	1		
11	548505	Clamp, Aluminum Brake Clamp	1		
12	548523	Footplate, Angle Adjust Plate	1		
13	549733	Padding, Amputee Board on Footrest Pad	1		
1-13	549734	Kit, Amputee Board on Footrest Left Complete	1		
1-13	549735	Kit, Amputee Board on Footrest Right Complete	1		





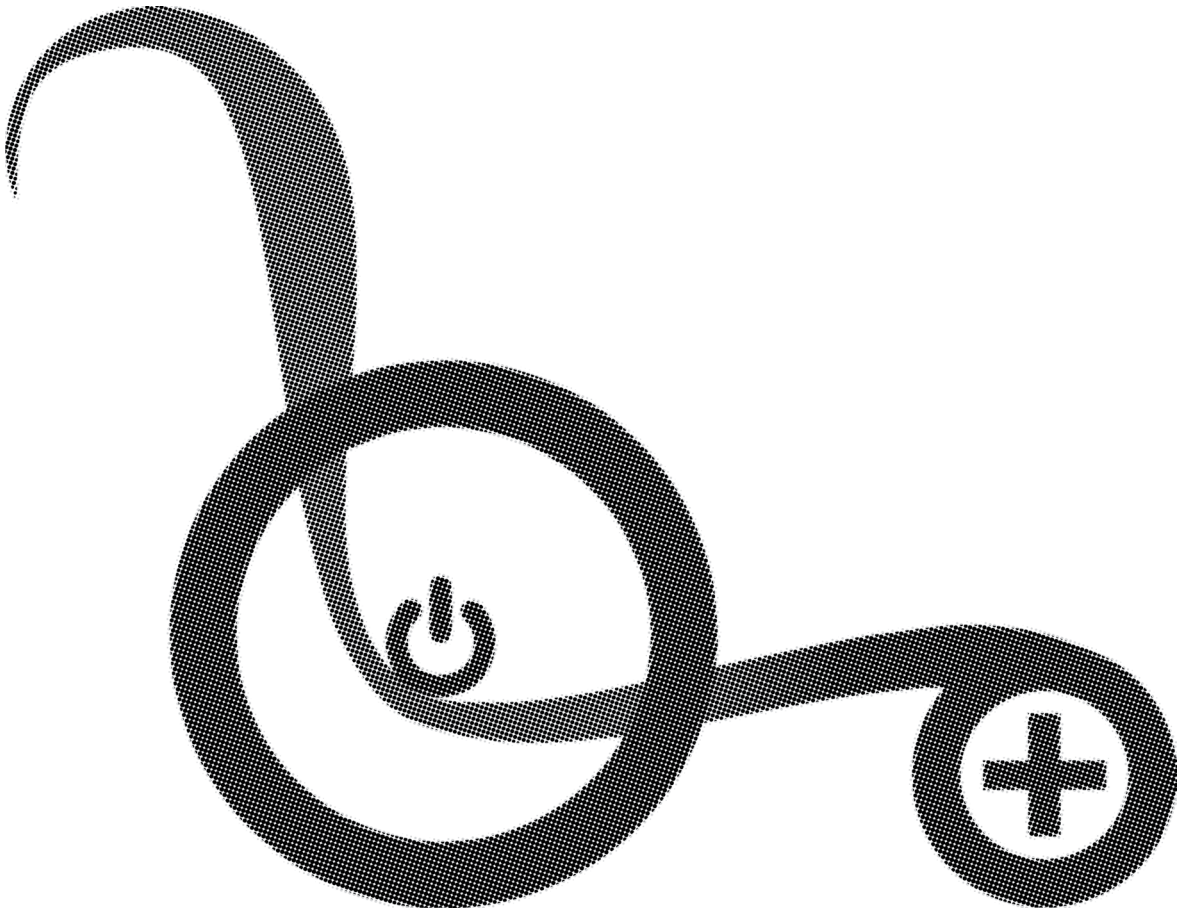
Item	REF Number	Description	Quantity	MSRP	Notes
1	549870	PPM, Amputee Seat Pan 16 x 16	1		
2	549871	PPM, Amputee Seat Pan 16 x 18	1		
3	549872	PPM, Amputee Seat Pan 16 x 20	1		
4	549873	PPM, Amputee Seat Pan 16 x 22	1		
5	549874	PPM, Amputee Seat Pan 16 x 24	1		
6	549875	PPM, Amputee Seat Pan 16 x 26	1		
7	549876	PPM, Amputee Seat Pan 16 x 28	1		
8	549877	PPM, Amputee Seat Pan 16 x 30	1		
9	549878	PPM, Amputee Seat Pan 18 x 16	1		
10	549879	PPM, Amputee Seat Pan 18 x 18	1		
11	549880	PPM, Amputee Seat Pan 18 x 20	1		
12	549881	PPM, Amputee Seat Pan 18 x 22	1		
13	549882	PPM, Amputee Seat Pan 18 x 24	1		
14	549883	PPM, Amputee Seat Pan 18 x 26	1		
15	549884	PPM, Amputee Seat Pan 18 x 28	1		
16	549885	PPM, Amputee Seat Pan 18 x 30	1		
17	549886	PPM, Amputee Seat Pan 20 x 16	1		
18	549887	PPM, Amputee Seat Pan 20 x 18	1		
19	549888	PPM, Amputee Seat Pan 20 x 20	1		
20	549889	PPM, Amputee Seat Pan 20 x 22	1		
21	549890	PPM, Amputee Seat Pan 20 x 24	1		
22	549891	PPM, Amputee Seat Pan 20 x 26	1		

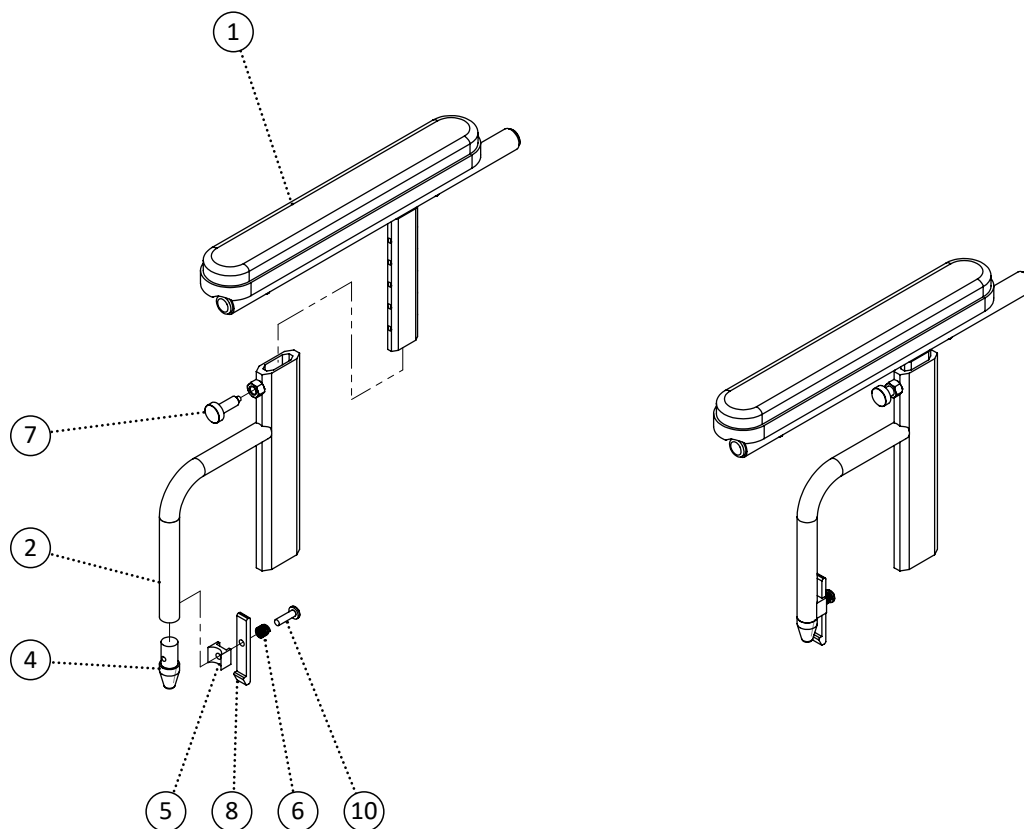
Item	REF Number	Description	Quantity	MSRP	Notes
23	549892	PPM, Amputee Seat Pan 20 x 28	1		
24	549893	PPM, Amputee Seat Pan 20 x 30	1		
25	549894	PPM, Amputee Seat Pan 22 x 16	1		
26	549895	PPM, Amputee Seat Pan 22 x 18	1		
27	549896	PPM, Amputee Seat Pan 22 x 20	1		
28	549897	PPM, Amputee Seat Pan 22 x 22	1		
29	549898	PPM, Amputee Seat Pan 22 x 24	1		
30	549899	PPM, Amputee Seat Pan 22 x 26	1		
31	549900	PPM, Amputee Seat Pan 22 x 28	1		
32	549901	PPM, Amputee Seat Pan 22 x 30	1		
33	549902	PPM, Amputee Seat Pan 24 x 16	1		
34	549903	PPM, Amputee Seat Pan 24 x 18	1		
35	549904	PPM, Amputee Seat Pan 24 x 20	1		
36	549905	PPM, Amputee Seat Pan 24 x 22	1		
37	549906	PPM, Amputee Seat Pan 24 x 24	1		
38	549907	PPM, Amputee Seat Pan 24 x 26	1		
39	549908	PPM, Amputee Seat Pan 24 x 28	1		
40	549909	PPM, Amputee Seat Pan 24 x 30	1		
41	549910	PPM, Amputee Seat Pan 26 x 16	1		
42	549911	PPM, Amputee Seat Pan 26 x 18	1		
43	549912	PPM, Amputee Seat Pan 26 x 20	1		
44	549913	PPM, Amputee Seat Pan 26 x 22	1		
45	549914	PPM, Amputee Seat Pan 26 x 24	1		
46	549915	PPM, Amputee Seat Pan 26 x 26	1		
47	549916	PPM, Amputee Seat Pan 26 x 28	1		
48	549917	PPM, Amputee Seat Pan 26 x 30	1		
49	549918	PPM, Amputee Seat Pan 28 x 16	1		
50	549919	PPM, Amputee Seat Pan 28 x 18	1		
51	549920	PPM, Amputee Seat Pan 28 x 20	1		
52	549921	PPM, Amputee Seat Pan 28 x 22	1		
53	549922	PPM, Amputee Seat Pan 28 x 24	1		
54	549923	PPM, Amputee Seat Pan 28 x 26	1		
55	549924	PPM, Amputee Seat Pan 28 x 28	1		
56	549925	PPM, Amputee Seat Pan 28 x 30	1		
57	549926	PPM, Amputee Seat Pan 30 x 16	1		
58	549927	PPM, Amputee Seat Pan 30 x 18	1		
59	549928	PPM, Amputee Seat Pan 30 x 20	1		
60	549929	PPM, Amputee Seat Pan 30 x 22	1		
61	549930	PPM, Amputee Seat Pan 30 x 24	1		
62	549931	PPM, Amputee Seat Pan 30 x 26	1		
63	549932	PPM, Amputee Seat Pan 30 x 28	1		
64	549933	PPM, Amputee Seat Pan 30 x 30	1		

Note: This is for reference only. Contact for part numbers.

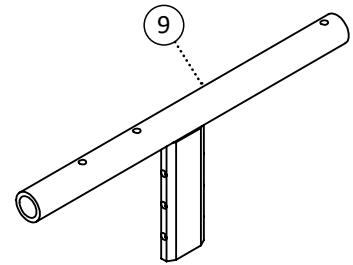
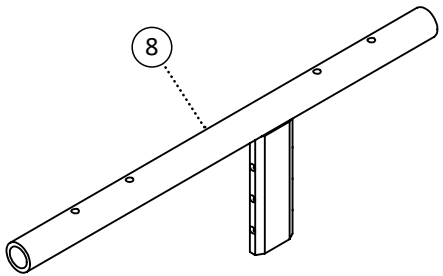
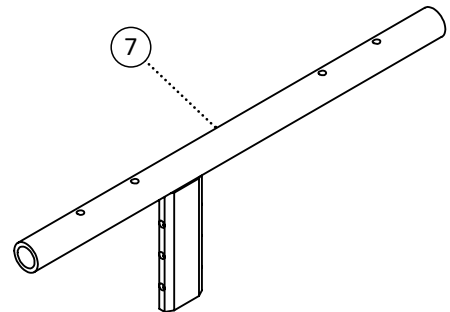
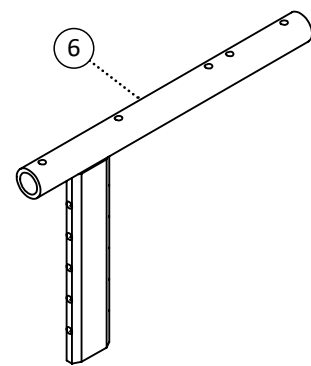
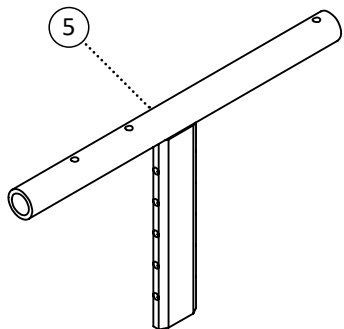
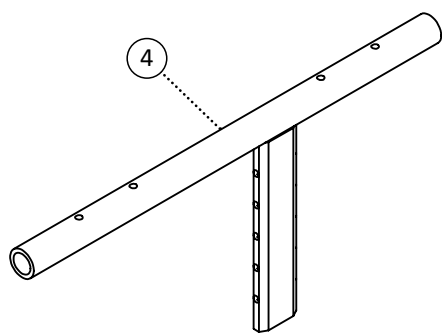
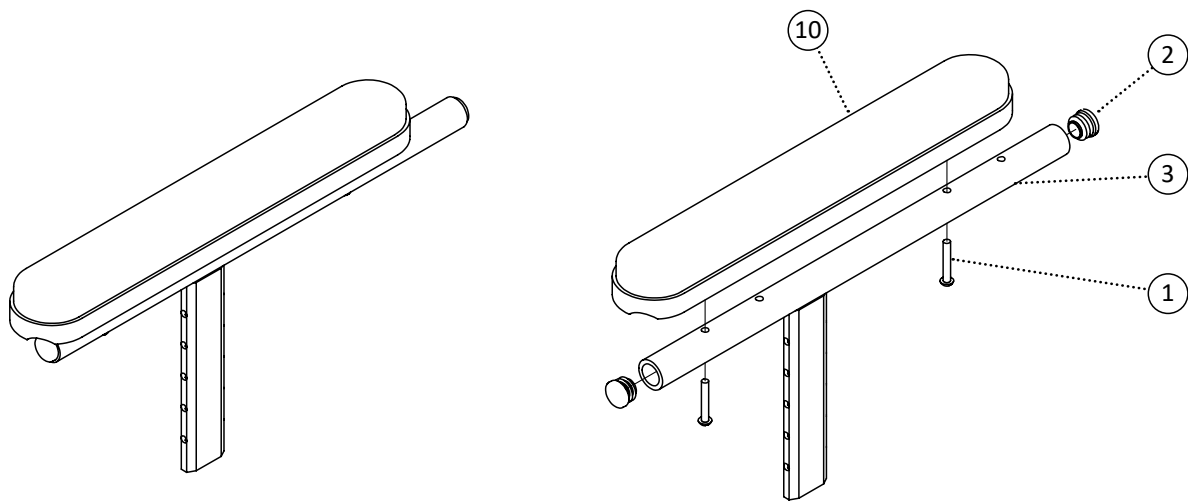


Item	REF Number	Description	Quantity	MSRP	Notes
1	550134	PPM, AirFlow Cushion 18 x 18	1	587	
2	550135	PPM, AirFlow Cushion 18 x 20	1	587	
3	550136	PPM, AirFlow Cushion 20 x 18	1	587	
4	550137	PPM, AirFlow Cushion 20 x 20	1	587	
5	550138	PPM, AirFlow Cushion Extra Removable - Specify Size	1	100	

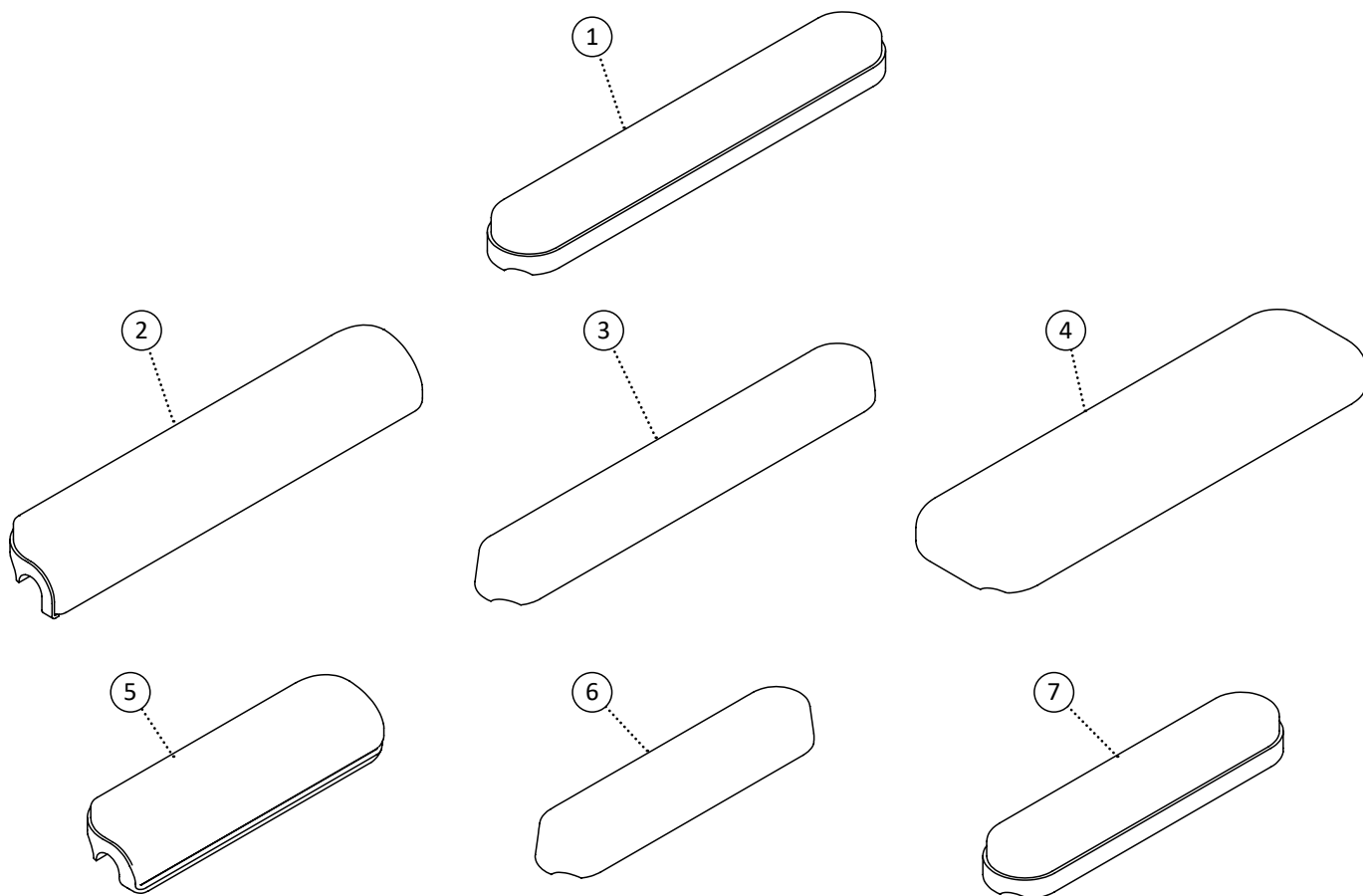




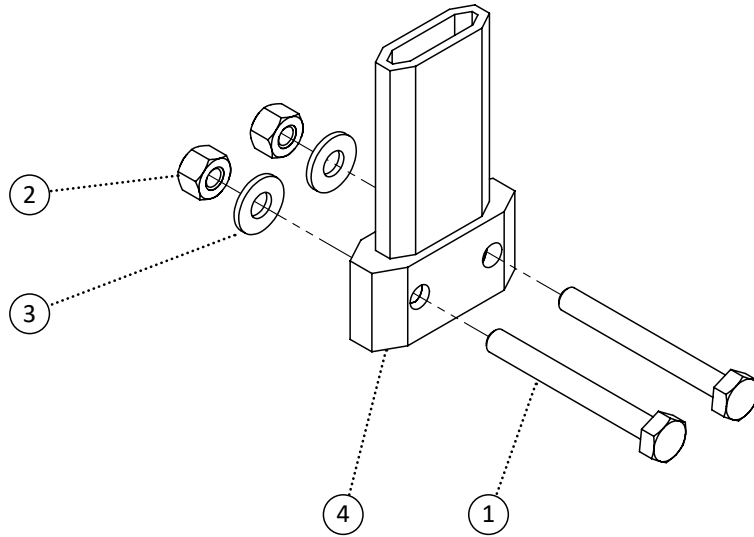
Item	REF Number	Description	Quantity	MSRP	Notes
1		Arm Tops - See Arm Tops page			
2	548930	PPM, Arm Base Female	1		
3	548483	Cap, Arm Lead In Locator	1		
4	549386	Spacer, Arm Release Lever Mount Block	1		
5	549396	Spring, Lever Compression Spring	1		
6	549356	Screw, Retractable Locking Knob	1		
7	548417	Bracket, Arm Release Lever Aluminum	1		
8	548855	Nut, Jam Nut 3/8-16	1		
9	549355	Screw, Pan Head Thread Screw Quadrex 1/4-14 x 1	1		
10	549311	Nut, Rivet Nut 5/32	1		
2-10	550467	Kit, NVTilt Arm Rest Complete Kit Right	1		
2-10	550468	Kit, NVTilt Arm Rest Complete Kit Left	1		



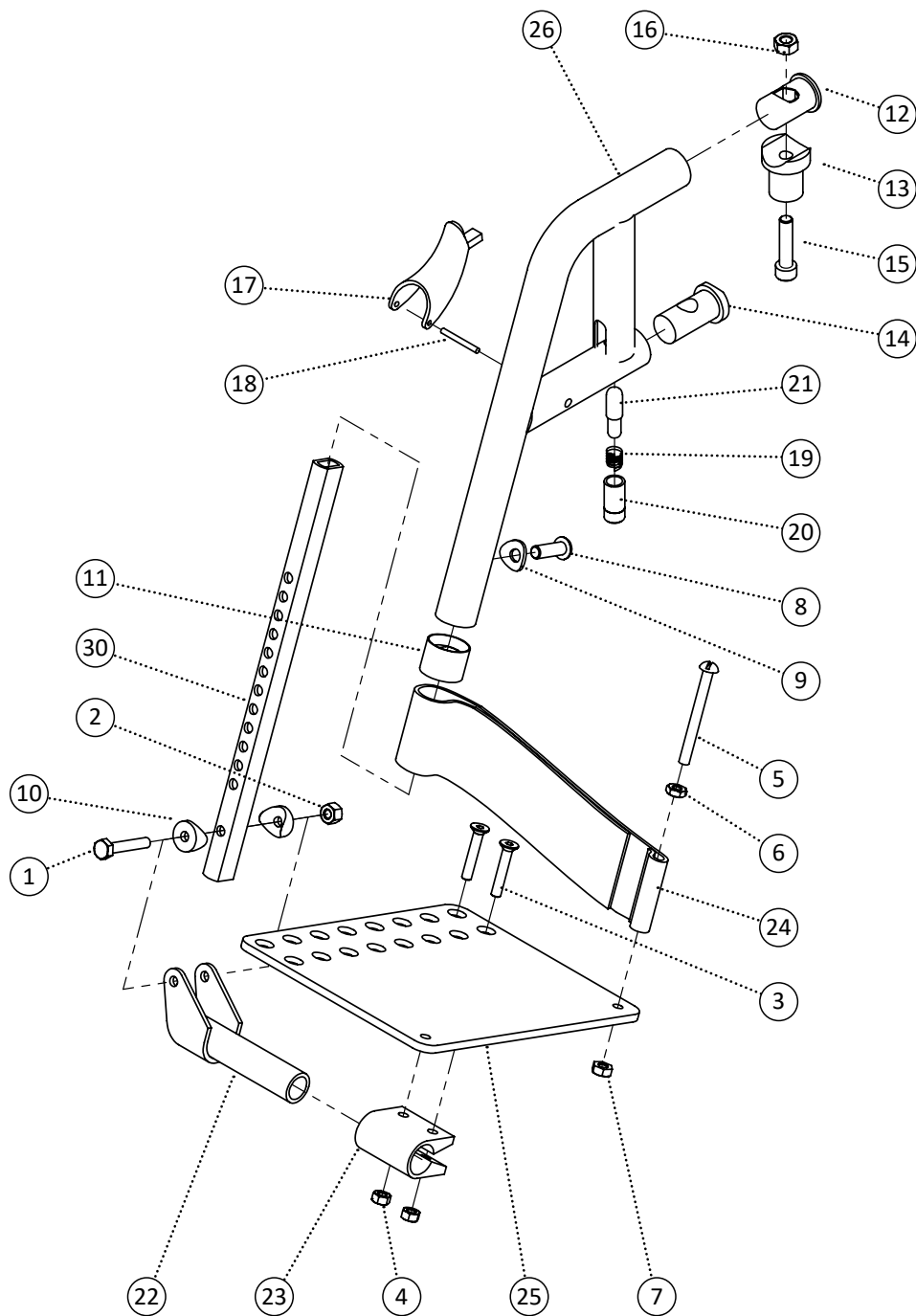
Item	REF Number	Description	Quantity	MSRP	Notes
1	549360	Screw, Round Head 10-24 x 1-1/4	1		
2	548497	Cap, Round Plug 3/4	1		
3	548939	PPM, Arm Top Regular Long	1		
4	548937	PPM, Arm Top Forward Long	1		
5	548941	PPM, Arm Top Short Long	1		
6	548936	PPM, Arm Top Desk Long	1		
7	548940	PPM, Arm Top Regular Short	1		
8	548938	PPM, Arm Top Forward Short	1		
9	548942	PPM, Arm Top Short Short	1		
		Arm Pads	1		
1,2,3	549636	Kit, Arm Top Regular Long Left	1		
1,2,3	549637	Kit, Arm Top Regular Long Right	1		
1,2,4	549638	Kit, Arm Top Forward Long Left	1		
1,2,4	549639	Kit, Arm Top Forward Long Right	1		
1,2,5	549640	Kit, Arm Top Short Long Left	1		
1,2,5	549641	Kit, Arm Top Short Long Right	1		
1,2,6	549642	Kit, Arm Top Desk Long Left	1		
1,2,6	549643	Kit, Arm Top Desk Long Right	1		
1,2,7	549644	Kit, Arm Top Regular Short Left	1		
1,2,7	549645	Kit, Arm Top Regular Short Right	1		
1,2,8	549646	Kit, Arm Top Forward Short Left	1		
1,2,8	549647	Kit, Arm Top Forward Short Right	1		
1,2,9	549648	Kit, Arm Top Short Short Left	1		
1,2,9	549649	Kit, Arm Top Short Short Right	1		



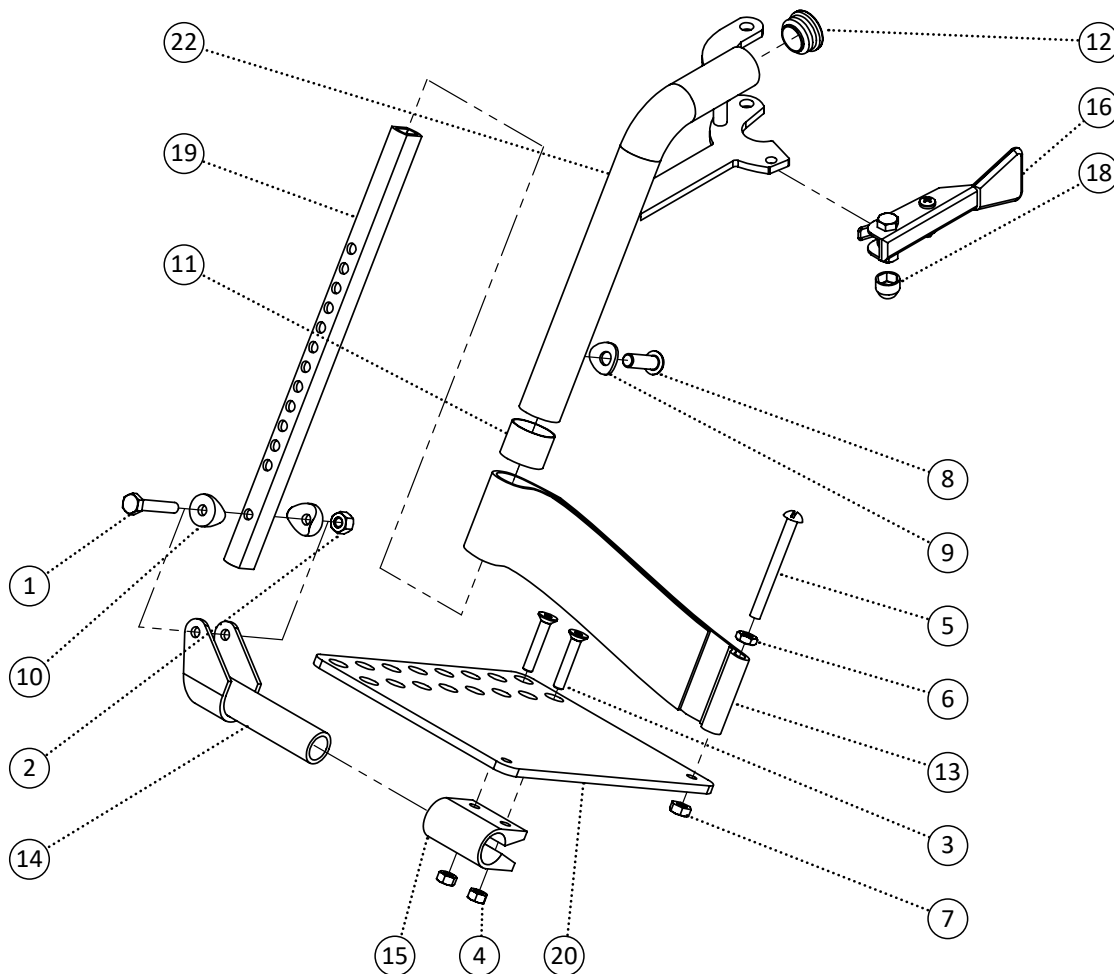
Item	REF Number	Description	Quantity	MSRP	Notes
1	548387	Arm Pad, Padded Full Length	1		
2	548385	Arm Pad, Gel Full Length	1		
3	548389	Arm Pad, Polyurethane Full Length	1		
4	548390	Arm Pad, Wide Full Length	1		
5	548386	Arm Pad, Padded Desk Length	1		
6	548384	Arm Pad, Gel Desk Length	1		
7	548388	Arm Pad, Polyurethane Desk Length	1		
8	548391	Arm Pad, Wide Full Length Gel - 3 Wide	1		
9	548392	Arm Pad, Wide Full Length Gel - 4 Wide	1		



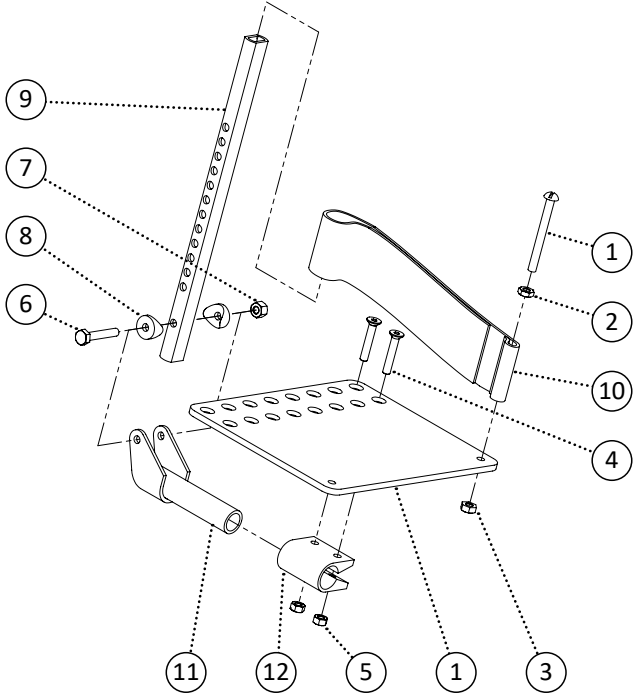
Item	REF Number	Description	Quantity	MSRP	Notes
1	549335	Screw, Hex Bolt 1/4-20 x 2-1/4	2		
2	548859	Nut, Nylon Lock Nut 1/4-20	2		
3	549423	Washer, Flat Washer 1/4 ID. x 5/8 OD.	2		
4	548406	Block, Arm Block Extrusion Regular	1		
1-4	550119	Kit, Arm Block Extrusion Standard Complete	1		



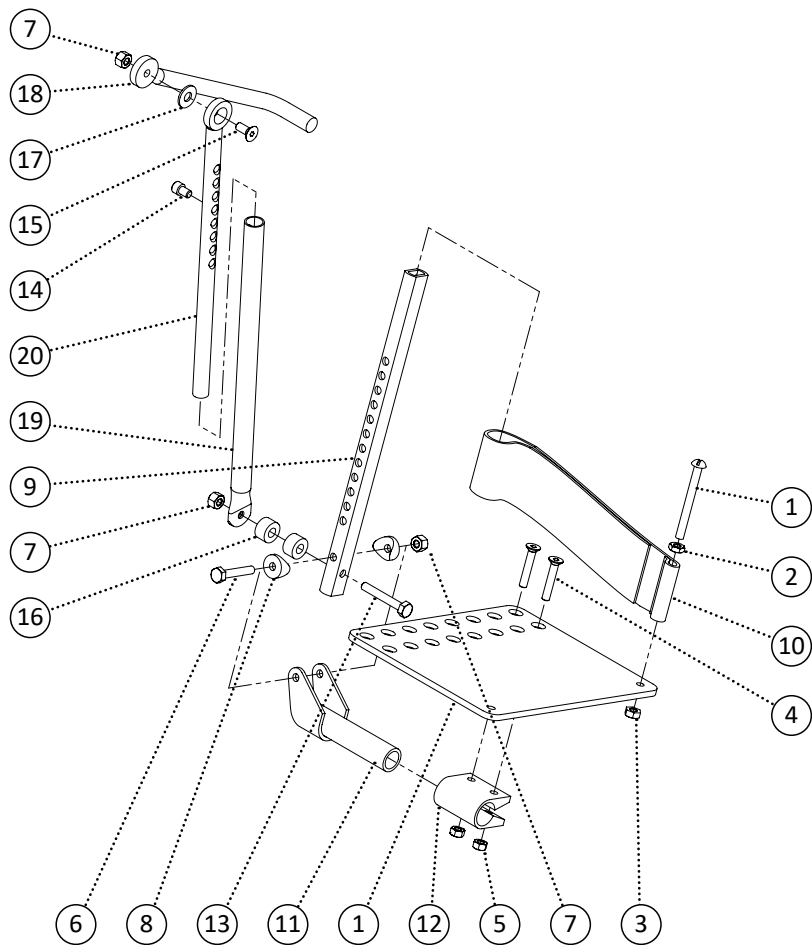
Item	REF Number	Description	Quantity	MSRP	Notes
1	549327	Screw, Hex Bolt 1/4-20 x 1-1/2	1		
2	548859	Nut, Nylon Lock Nut 1/4-20	1		
3	549325	Screw, Flat Head M6-1.0 x 30	2		
4	548866	Nut, Nylon Lock Nut M6-1.0	2		
5	549357	Screw, Round Head 1/4-20 x 2-1/2	1		
6	548852	Nut, Jam Nut 1/4-20	1		
7	548870	Nut, Nylon Lock Nut Thin 1/4-20	1		
8	549354	Screw, Pan Head M8-1.0 x 25	1		
9	549413	Washer, Curved Washer .323 ID. x 3/4 OD. x .07thk	1		
10	549434	Washer, Radius Washer 1/4 ID. x 3/4 OD. x 3/4cu	2		
11	548491	Cap, Footrest End Cap 1	1		
12	548488	Cap, Bushing Attaching Insert	1		
13	548471	Bushing, Radius Insert Bushing	1		
14	548494	Cap, Radius Bushing Attaching Insert	1		
15	549378	Screw, Socket Head M8-1.0 x 35	1		
16	548868	Nut, Nylon Lock Nut M8-1.0	1		
17	548545	Handle, Release Handle	1		
18	548884	Pin, Fixing Pin	1		
19	549399	Spring, Release Spring	1		
20	548459	Bushing, Brass Bushing	1		
21	548890	Pin, Release Pin	1		
22	548522	Footplate, Angle Adjust Hinge Clamp Extension	1		
23	548521	Footplate, Angle Adjust Hinge Clamp	1		
24	549400	Strap, Heel Loop Strap	1		
25	548523	Footplate, Angle Adjust Plate	1		
26	549135	PPM, Pivot Footrest 60 Degree	1		
27	549136	PPM, Pivot Footrest 70 Degree	1		
28	549137	PPM, Pivot Footrest 80 Degree	1		
29	549138	PPM, Pivot Footrest 90 Degree	1		
30	548519	Footplate, Angle Adjust Extension	1		
1-25,26	549297	Kit, Pivot Footrest 60 Degree Left Complete Kit	1		
1-25,26	549298	Kit, Pivot Footrest 60 Degree Right Complete Kit	1		
1-25,27	549299	Kit, Pivot Footrest 70 Degree Left Complete Kit	1		
1-25,27	549300	Kit, Pivot Footrest 70 Degree Right Complete Kit	1		



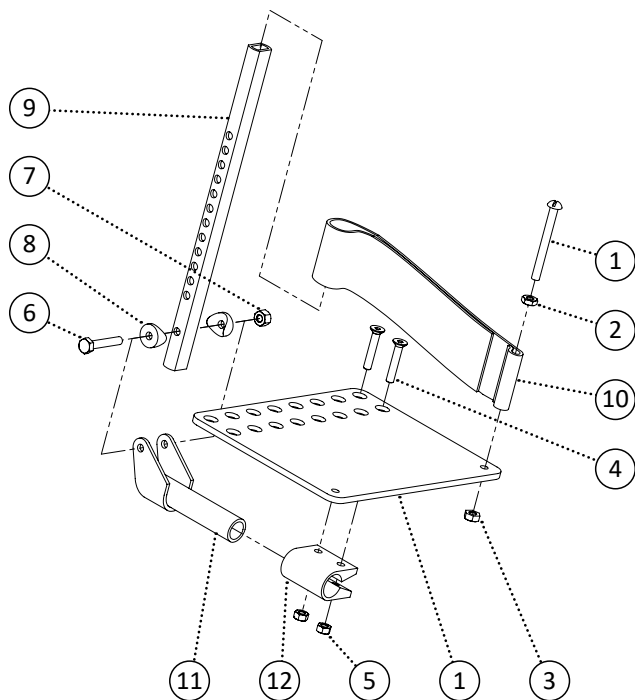
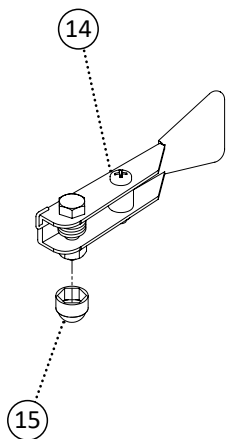
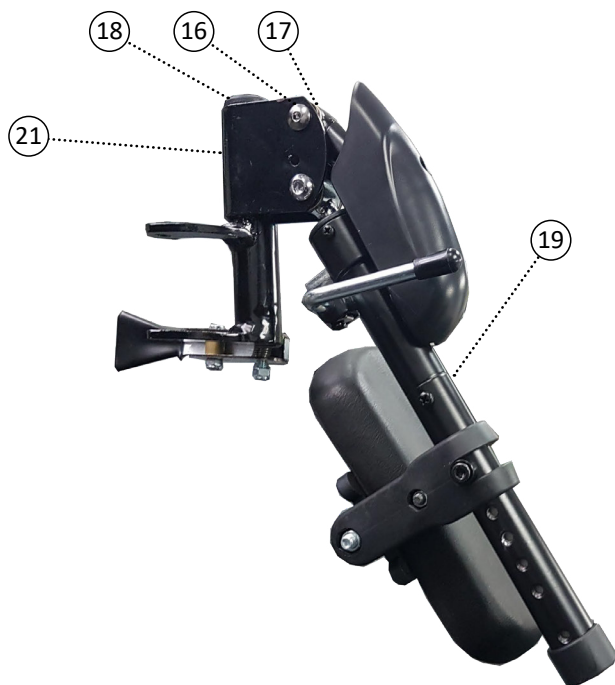
Item	REF Number	Description	Quantity	MSRP	Notes
1	549327	Screw, Hex Bolt 1/4-20 x 1-1/2	1		
2	548859	Nut, Nylon Lock Nut 1/4-20	1		
3	549325	Screw, Flat Head M6-1.0 x 30	2		
4	548866	Nut, Nylon Lock Nut M6-1.0	2		
5	549357	Screw, Round Head 1/4-20 x 2-1/2	1		
6	548852	Nut, Jam Nut 1/4-20	1		
7	548870	Nut, Nylon Lock Nut Thin 1/4-20	1		
8	549354	Screw, Pan Head M8-1.0 x 25	1		
9	549413	Washer, Curved Washer .323 ID. x 3/4 OD. x .07thk	1		
10	549435	Washer, Radius Washer 1/4 ID. x 3/4 OD. x 3/8cu	2		
11	548491	Cap, Footrest End Cap 1	1		
12	548495	Cap, Round Plug 1 x 14ga	1		
13	549400	Strap, Heel Loop Strap	1		
14	548522	Footplate, Angle Adjust Hinge Clamp Extension	1		
15	548521	Footplate, Angle Adjust Hinge Clamp	1		
16	549594	Handle, Pin-Style Release Handle Left	1		
17	549595	Handle, Pin-Style Release Handle Right	1		
18	548480	Cap, 1/4 Nut Cap	1		
19	548519	Footplate, Angle Adjust Extension	1		
20	548523	Footplate, Angle Adjust Plate	1		
21	548524	Footplate, Angle Adjust Plate XL ABS	1		
22	549117	PPM, Pin Style Footrest 60 Degree Left	1		
23	549118	PPM, Pin Style Footrest 60 Degree Right	1		
24	549120	PPM, Pin Style Footrest 70 Degree Left	1		
25	549121	PPM, Pin Style Footrest 70 Degree Right	1		
26	549123	PPM, Pin Style Footrest 80 Degree Left	1		
27	549124	PPM, Pin Style Footrest 80 Degree Right	1		
28	549126	PPM, Pin Style Footrest 90 Degree Left	1		
29	549127	PPM, Pin Style Footrest 90 Degree Right	1		
1-19,22	548758	Kit, Pin Style Footrest 60 Degree Left Complete Kit	1		
1-19,23	548759	Kit, Pin Style Footrest 60 Degree Right Complete Kit	1		
1-19,24	548761	Kit, Pin Style Footrest 70 Degree Left Complete Kit	1		
1-19,25	548762	Kit, Pin Style Footrest 70 Degree Right Complete Kit	1		
1-19,26	548764	Kit, Pin Style Footrest 80 Degree Left Complete Kit	1		
1-19,27	548765	Kit, Pin Style Footrest 80 Degree Right Complete Kit	1		
1-19,28	548767	Kit, Pin Style Footrest 90 Degree Left Complete Kit	1		
1-19,29	548768	Kit, Pin Style Footrest 90 Degree Right Complete Kit	1		
1-7,10,13-15,19,20	548717	Kit, Footplate Angle Adjust Right Complete Kit	1		
1-7,10,13-15,19,20	548716	Kit, Footplate Angle Adjust Left Complete Kit	1		



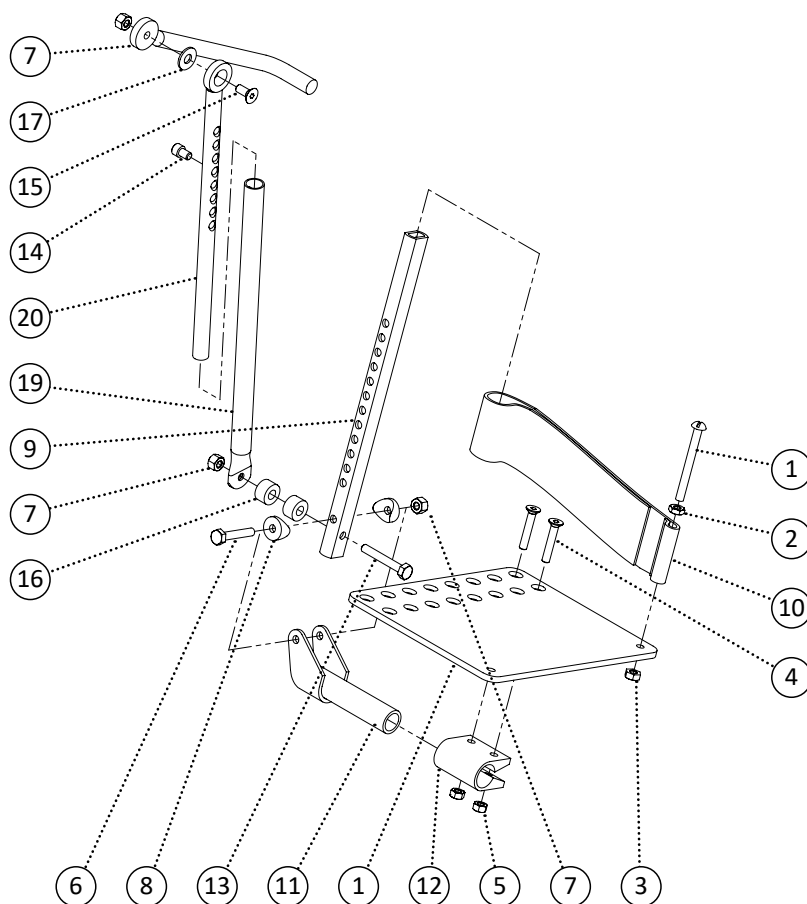
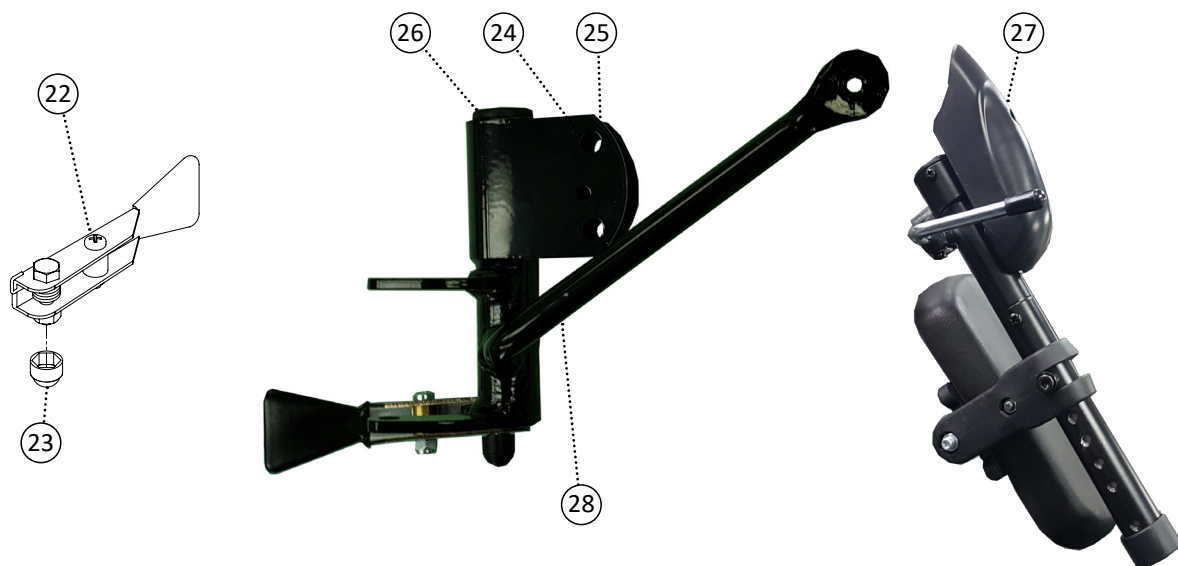
Item	REF Number	Description	Quantity	MSRP	Notes
1	549357	Screw, Round Head 1/4-20 x 2-1/2	1		
2	548852	Nut, Jam Nut 1/4-20	1		
3	548870	Nut, Nylon Lock Nut Thin 1/4-20	1		
4	549325	Screw, Flat Head M6-1.0 x 30	2		
5	548866	Nut, Nylon Lock Nut M6-1.0	2		
6	549327	Screw, Hex Bolt 1/4-20 x 1-1/2	1		
7	548859	Nut, Nylon Lock Nut 1/4-20	1		
8	549436	Washer, Radius Washer 1/4 ID. x 3/4 OD. x 3/8cu (3/4cu)	2		
9	548519	Footplate, Angle Adjust Extension	1		
10	549400	Strap, Heel Loop Strap	1		
11	548522	Footplate, Angle Adjust Hinge Clamp Extension	1		
12	548521	Footplate, Angle Adjust Hinge Clamp	1		
13	548708	Kit, Elevating Footrest Hanger Upper	1		
14	548706	Kit, Elevating Footrest Extension Tube	1		
15	548705	Kit, Elevating Footrest Calf Pad	1		
1-15	548711	Kit, Elevating Pivot Footrest Left Complete Kit	1		
1-15	548712	Kit, Elevating Pivot Footrest Right Complete Kit	1		



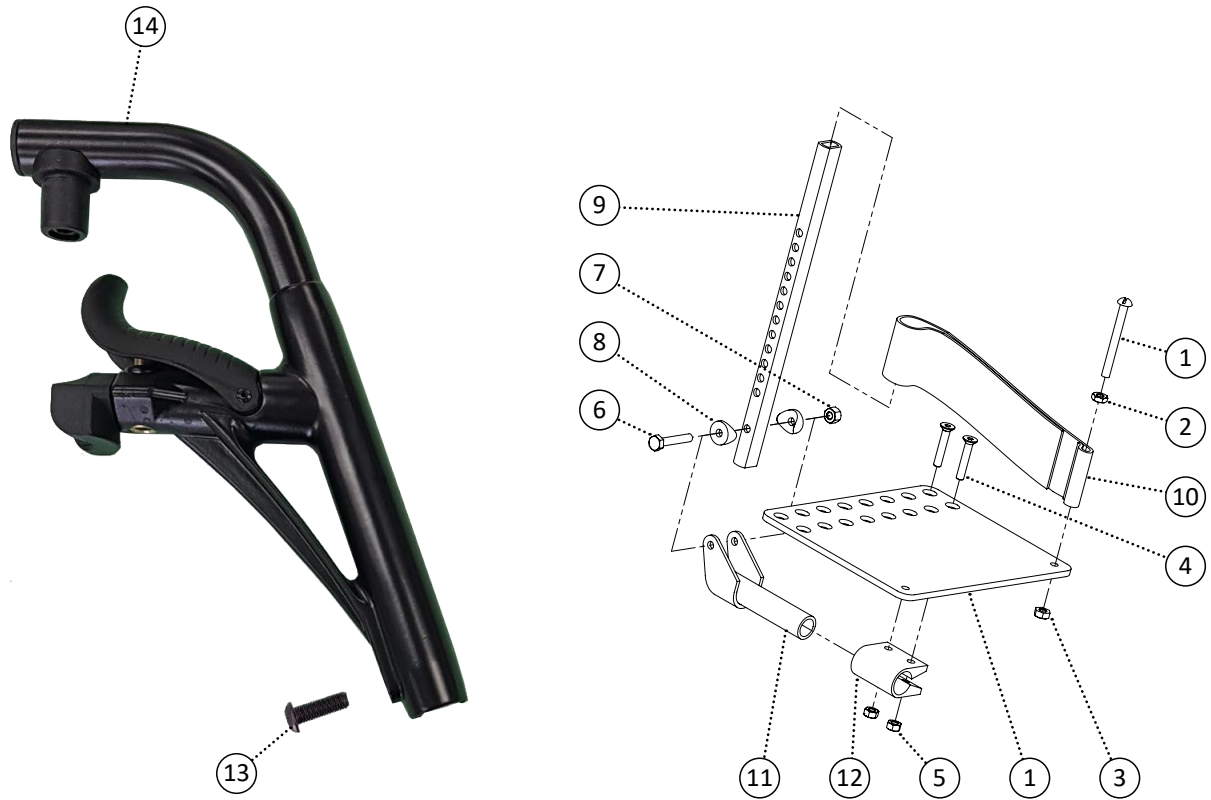
Item	REF Number	Description	Quantity	MSRP	Notes
1	549357	Screw, Round Head 1/4-20 x 2-1/2	1		
2	548852	Nut, Jam Nut 1/4-20	1		
3	548870	Nut, Nylon Lock Nut Thin 1/4-20	1		
4	549325	Screw, Flat Head M6-1.0 x 30	2		
5	548866	Nut, Nylon Lock Nut M6-1.0	2		
6	549327	Screw, Hex Bolt 1/4-20 x 1-1/2	1		
7	548859	Nut, Nylon Lock Nut 1/4-20	1		
8	549436	Washer, Radius Washer 1/4 ID. x 3/4 OD. x 3/8cu (3/4cu)	2		
9	548520	Footplate, Angle Adjust Extension Articulating	1		
10	549400	Strap, Heel Loop Strap	1		
11	548522	Footplate, Angle Adjust Hinge Clamp Extension	1		
12	548521	Footplate, Angle Adjust Hinge Clamp	1		
13	549330	Screw, Hex Bolt 1/4-20 x 1-3/4	1		
14	549372	Screw, Socket Head 1/4-20 x 3/8	1		
15	549323	Screw, Flat Head 1/4-20 x 5/8	1		
16	549392	Spacer, Nylon Spacer 5/16 ID. x .7 OD x .4thk (blk)	1		
17	549430	Washer, Nylon Washer 5/16 ID. x 3/4 OD. x .063thk	1		
18	549134	PPM, Pivot Articulating Arm	1		
19	548945	PPM, Articulating Receiver	1		
20	548944	PPM, Articulating Extension	1		
21	548533	Guard, Articulating Arm Guard	1		
22	548624	Kit, Articulating Pivot Footrest Left Hanger	1		
23	548626	Kit, Articulating Pivot Footrest Right Hanger	1		
1-22	548623	Kit, Articulating Pivot Footrest Left Complete Kit	1		
1-21,23	548625	Kit, Articulating Pivot Footrest Right Complete Kit	1		



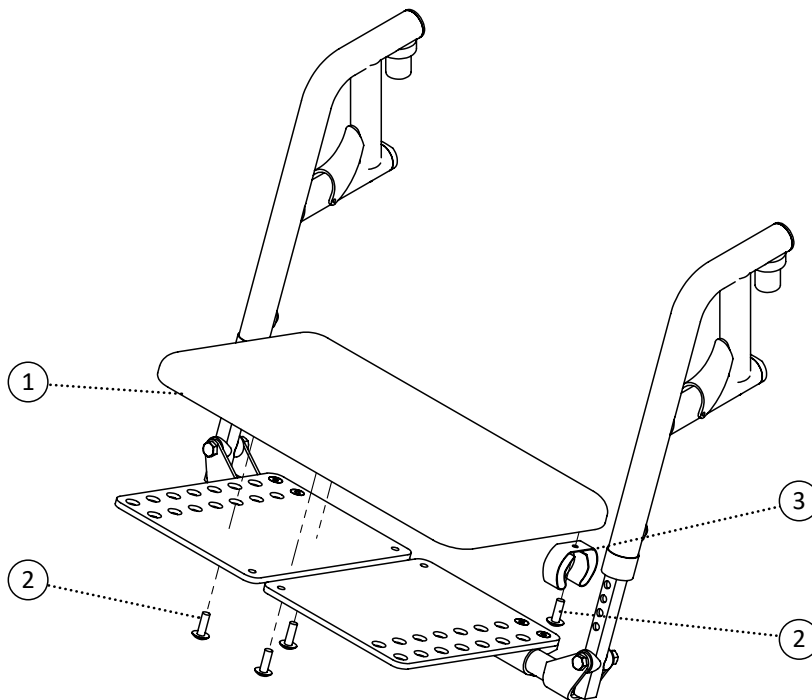
Item	REF Number	Description	Quantity	MSRP	Notes
1	549357	Screw, Round Head 1/4-20 x 2-1/2	1		
2	548852	Nut, Jam Nut 1/4-20	1		
3	548870	Nut, Nylon Lock Nut Thin 1/4-20	1		
4	549325	Screw, Flat Head M6-1.0 x 30	2		
5	548866	Nut, Nylon Lock Nut M6-1.0	2		
6	549327	Screw, Hex Bolt 1/4-20 x 1-1/2	1		
7	548859	Nut, Nylon Lock Nut 1/4-20	1		
8	549436	Washer, Radius Washer 1/4 ID. x 3/4 OD. x 3/8cu (3/4cu)	2		
9	548519	Footplate, Angle Adjust Extension	1		
10	549400	Strap, Heel Loop Strap	1		
11	548522	Footplate, Angle Adjust Hinge Clamp Extension	1		
12	548521	Footplate, Angle Adjust Hinge Clamp	1		
13	549594	Handle, Pin-Style Release Handle Left	1		
14	549595	Handle, Pin-Style Release Handle Right	1		
15	548480	Cap, 1/4 Nut Cap	1		
16	549362	Screw, Round Head M6-1.0 x 12	1		
17	549363	Nut, Round Head Receiver M6-1.0 x 12	1		
18	548496	Cap, Round Plug 1 x 18ga	1		
19	548707	Kit, Elevating Footrest Extension Tube and Calf Pad	1		
20	549132	PPM, Pin-Style Hanger Elevating Left	1		
21	549133	PPM, Pin-Style Hanger Elevating Right	1		
1-12,13,15-19,20	548709	Kit, Elevating Pin-Style Footrest Left Complete Kit	1		
1-12,14,15-19,21	548710	Kit, Elevating Pin-Style Footrest Right Complete Kit	1		



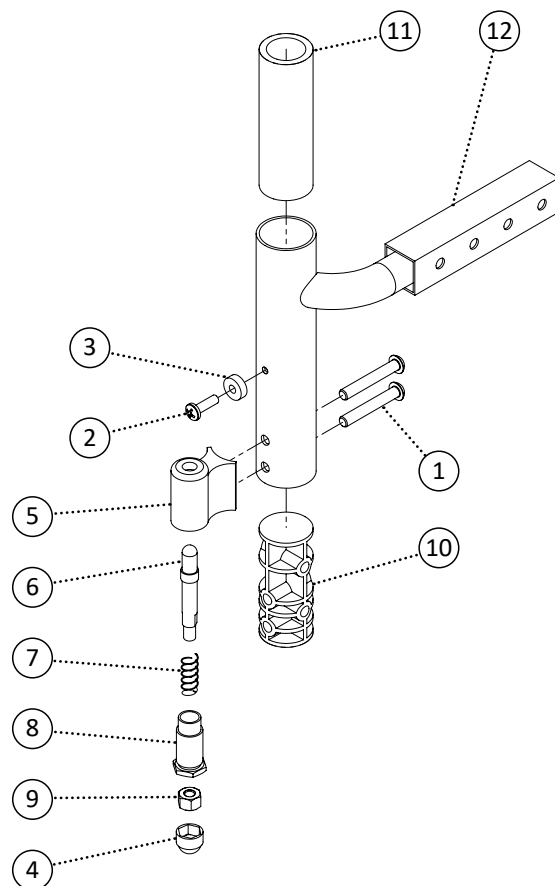
Item	REF Number	Description	Quantity	MSRP	Notes
1	549357	Screw, Round Head 1/4-20 x 2-1/2	1		
2	548852	Nut, Jam Nut 1/4-20	1		
3	548870	Nut, Nylon Lock Nut Thin 1/4-20	1		
4	549325	Screw, Flat Head M6-1.0 x 30	2		
5	548866	Nut, Nylon Lock Nut M6-1.0	2		
6	549327	Screw, Hex Bolt 1/4-20 x 1-1/2	1		
7	548859	Nut, Nylon Lock Nut 1/4-20	1		
8	549436	Washer, Radius Washer 1/4 ID. x 3/4 OD. x 3/8cu (3/4cu)	2		
9	548520	Footplate, Angle Adjust Extension Articulating	1		
10	549400	Strap, Heel Loop Strap	1		
11	548522	Footplate, Angle Adjust Hinge Clamp Extension	1		
12	548521	Footplate, Angle Adjust Hinge Clamp	1		
13	549330	Screw, Hex Bolt 1/4-20 x 1-3/4	1		
14	549372	Screw, Socket Head 1/4-20 x 3/8	1		
15	549323	Screw, Flat Head 1/4-20 x 5/8	1		
16	549392	Spacer, Nylon Spacer 5/16 ID. x .7 OD x .4thk (blk)	1		
17	549430	Washer, Nylon Washer 5/16 ID. x 3/4 OD. x .063thk	1		
18	548945	PPM, Articulating Receiver	1		
19	548944	PPM, Articulating Extension	1		
20	548533	Guard, Articulating Arm Guard	1		
21	549594	Handle, Pin-Style Release Handle Left	1		
22	549595	Handle, Pin-Style Release Handle Right	1		
23	548480	Cap, 1/4 Nut Cap	1		
24	549362	Screw, Round Head M6-1.0 x 12	1		
25	549363	Nut, Round Head Receiver M6-1.0 x 12	1		
26	548496	Cap, Round Plug 1 x 18ga	1		
27	548618	Kit, Articulating Footrest Extension Tube and Calf Pad	1		
28	549130	PPM, Pin-Style Hanger Articulating Left	1		
29	549131	PPM, Pin-Style Hanger Articulating Right	1		
21,23-27,28	548620	Kit, Articulating Pin-Style Footrest Left Hanger	1		
22,23-27,29	548622	Kit, Articulating Pin-Style Footrest Right Hanger	1		
1-20,21,23-27,28	548619	Kit, Articulating Pin-Style Footrest Left Complete Kit	1		
1-20,22,23-27,29	548621	Kit, Articulating Pin-Style Footrest Right Complete Kit	1		



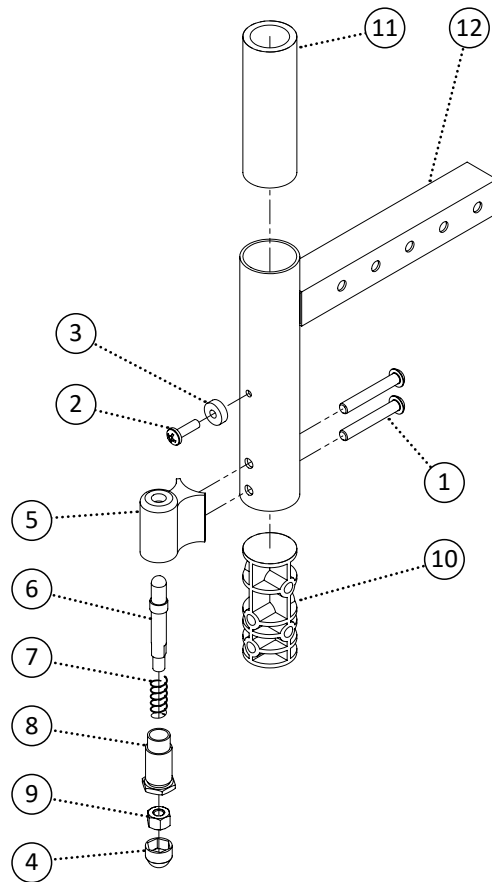
Item	REF Number	Description	Quantity	MSRP	Notes
1	549357	Screw, Round Head 1/4-20 x 2-1/2	1		
2	548852	Nut, Jam Nut 1/4-20	1		
3	548870	Nut, Nylon Lock Nut Thin 1/4-20	1		
4	549325	Screw, Flat Head M6-1.0 x 30	2		
5	548866	Nut, Nylon Lock Nut M6-1.0	2		
6	549327	Screw, Hex Bolt 1/4-20 x 1-1/2	1		
7	548859	Nut, Nylon Lock Nut 1/4-20	1		
8	549436	Washer, Radius Washer 1/4 ID. x 3/4 OD. x 3/8cu (3/4cu)	2		
9	548519	Footplate, Angle Adjust Extension	1		
10	549400	Strap, Heel Loop Strap	1		
11	548522	Footplate, Angle Adjust Hinge Clamp Extension	1		
12	548521	Footplate, Angle Adjust Hinge Clamp	1		
13	548526	Footrest, Pivot Footrest 70 Degree	1		
14	549354	Screw, Pan Head M8-1.0 x 25	1		
1-14	548774	Kit, Pivot Footrest 70 Degree Left (T) Complete Kit	1		
1-14	548775	Kit, Pivot Footrest 70 Degree Right (T) Complete Kit	1		



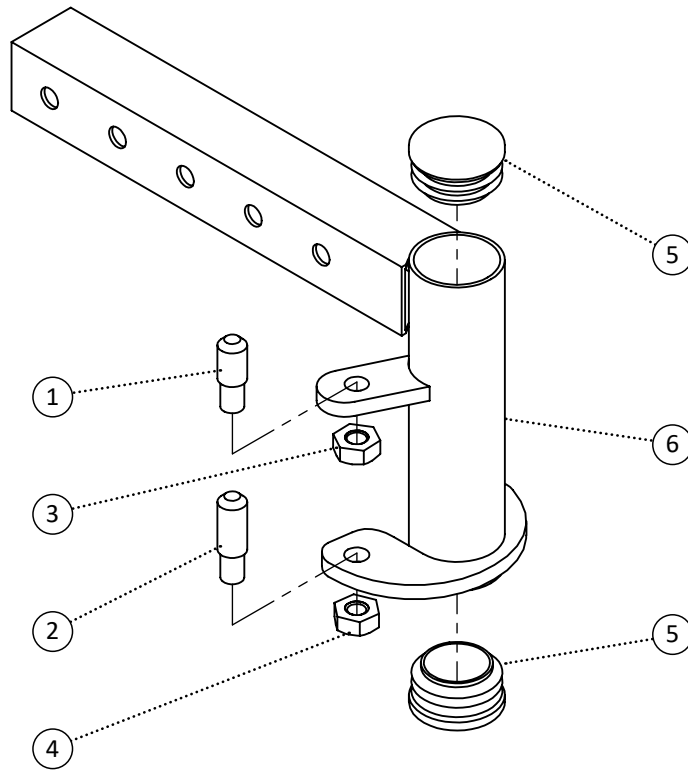
Item	REF Number	Description	Quantity	MSRP	Notes
1	548881	Padding, One Piece Footboard Pad	1		
2	549382	Screw, Truss Head 1/4-20 x 3/4	4		
3	548510	Clamp, Rubber Clamp 1	1		



Item	REF Number	Description	Quantity	MSRP	Notes
1	549353	Screw, Pan Head M6-1.0 x 40	2		
2	549351	Screw, Pan Head 10-32 x 5/8	1		
3	549388	Spacer, Nylon Spacer 3/16 ID. x .516 OD. x .171thk	1		
4	548480	Cap, 1/4 Nut Cap	1		
5	548411	Block, Pivot Footrest Block	1		
6	548889	Pin, Pivot Footrest Block Pin	1		
7	549398	Spring, Pivot Footrest Block Spring	1		
8	548876	Nut, Pivot Footrest Block Nut	1		
9	548859	Nut, Nylon Lock Nut 1/4-20	1		
10	548463	Bushing, Front Post Insert	1		
11	548465	Bushing, Front Post Sleeve	1		
12	549139	PPM, Pivot Footrest Offset Extension	1		
1-12	548779	Kit, Pivot Footrest Receiver Offset Complete Kit	1		



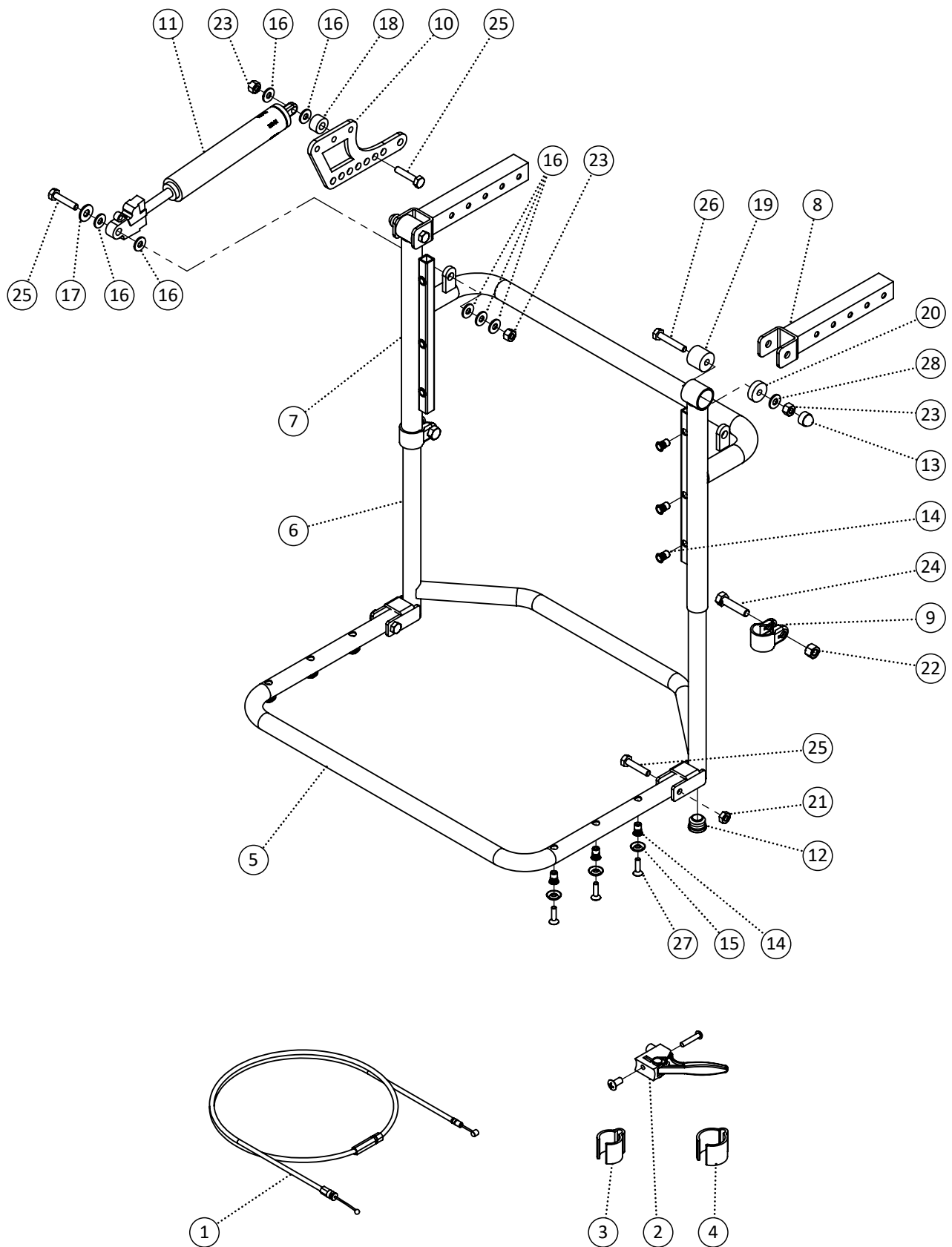
Item	REF Number	Description	Quantity	MSRP	Notes
1	549353	Screw, Pan Head M6-1.0 x 40	2		
2	549351	Screw, Pan Head 10-32 x 5/8	1		
3	549388	Spacer, Nylon Spacer 3/16 ID. x .516 OD. x .171thk	1		
4	548480	Cap, 1/4 Nut Cap	1		
5	548411	Block, Pivot Footrest Block	1		
6	548889	Pin, Pivot Footrest Block Pin	1		
7	549398	Spring, Pivot Footrest Block Spring	1		
8	548876	Nut, Pivot Footrest Block Nut	1		
9	548859	Nut, Nylon Lock Nut 1/4-20	1		
10	548463	Bushing, Front Post Insert	1		
11	548465	Bushing, Front Post Sleeve	1		
12	549078	PPM, Footrest Extension Insert	1		
1-12	548778	Kit, Pivot Footrest Receiver Complete Kit	1		



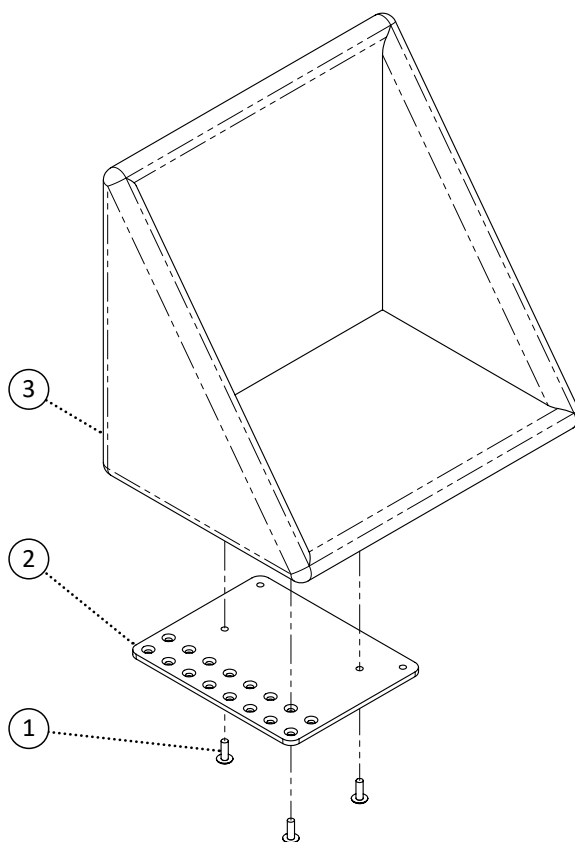
Item	REF Number	Description	Quantity	MSRP	Notes
1	548887	Pin, Pin Style Pin 1/4-28 Short	1		
2	548885	Pin, Pin Style Pin 1/4-20 Long	1		
3	548872	Nut, Nylon Lock Nut Thin 1/4-28	1		
4	548870	Nut, Nylon Lock Nut Thin 1/4-20	1		
5	548496	Cap, Round Plug 1 x 18ga	2		
6	549128	PPM, Pin Style Footrest Receiver Left	1		
7	549129	PPM, Pin Style Footrest Receiver Right	1		
1-6	548770	Kit, Pin Style Footrest Receiver Left Complete Kit	1		
1-5,7	548771	Kit, Pin Style Footrest Receiver Right Complete Kit	1		



Item	REF Number	Description	Quantity	MSRP	Notes
1	548538	Guard, Pivot Footrest Hanger Cover Left	1		
2	548539	Guard, Pivot Footrest Hanger Cover Right	1		
3	548534	Guard, Elevating Footrest Hanger Cover Left	1		
4	548535	Guard, Elevating Footrest Hanger Cover Right	1		
5	548541	Guard, Pivot Footrest Receiver Cover	1		
6	548540	Guard, Pin-Style Footrest Receiver Cover	1		
7	548536	Guard, Folding Footrest Receiver Cover Left	1		
8	548537	Guard, Folding Footrest Receiver Cover Right	1		

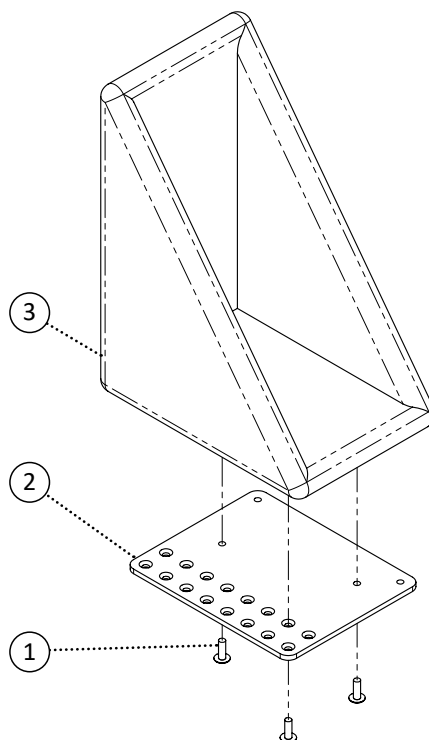


Item	REF Number	Description	Quantity	MSRP	Notes
1	549116	Cable, 1 PC Elevating Sys. Adjustable Cable	1		
2	549409	Trigger, Tilt Trigger	1		
3	548504	Clamp, 7/8 Tube Clamp	1		
4	548503	Clamp, 1 Tube Clamp	1		
5	549119	PPM, 1 PC Elevating Sys. - Flip Up Footrest Frame	1		
6	549122	PPM, 1 PC Elevating Sys. - Footrest Extension	2		
7	549125	PPM, 1 PC Elevating Sys. - Footrest Hanger	2		
8	549305	PPM, 1 PC Elevating Sys. - Frame Mount Ext.	2		
9	548766	Clamp, 7/8 Pinch Clamp	2		
10	549306	Bracket, Elevating Leg Rest Gas Spring Mt.	1		
11	548943	Cylinder, Gas Spring 150N	1		
12	548481	Cap, 3/4 Round Plug	4		
13	548480	Cap, 1/4 Nut Cap	2		
14	548879	Nut, Rivet Nut 10-32	12		
15	549418	Washer, Finishing Washer #10	6		
16	549428	Washer, Nylon Washer .265ID x 5/8 OD x .063th	7		
17	549430	Washer, Nylon Washer 5/16 ID. x 3/4 OD. x .063thk	1		
18	549392	Spacer, Nylon Spacer 5/16 ID. x .7 OD x .4thk (blk)	1		
19	548546	Spacer, Nylon Spacer .265 ID x 7/8 OD x .875th	2		
20	548549	Spacer, Nylon Spacer .265 ID x 7/8 OD x .25th	2		
21	548870	Nut, Nylon Lock Nut Thin 1/4-20	2		
22	548757	Nut, Nylon Lock Nut 5/16-20	2		
23	548859	Nut, Nylon Lock Nut 1/4-20	4		
24	548760	Screw, Hex Bolt 5/16-20 x 7/8 (w/ Tab)	2		
25	549329	Screw, Hex Bolt 1/4-20 x 1-1/4	4		
26	549327	Screw, Hex Bolt 1/4-20 x 1-1/2	2		
27	549324	Screw, Flat Head 10-32 x 3/4	6		
28	549423	Washer, Flat Washer 1/4 ID. x 5/8 OD.	2		
1-28	548763	Kit, Elevating Legrest System One Piece Complete Kit	1		



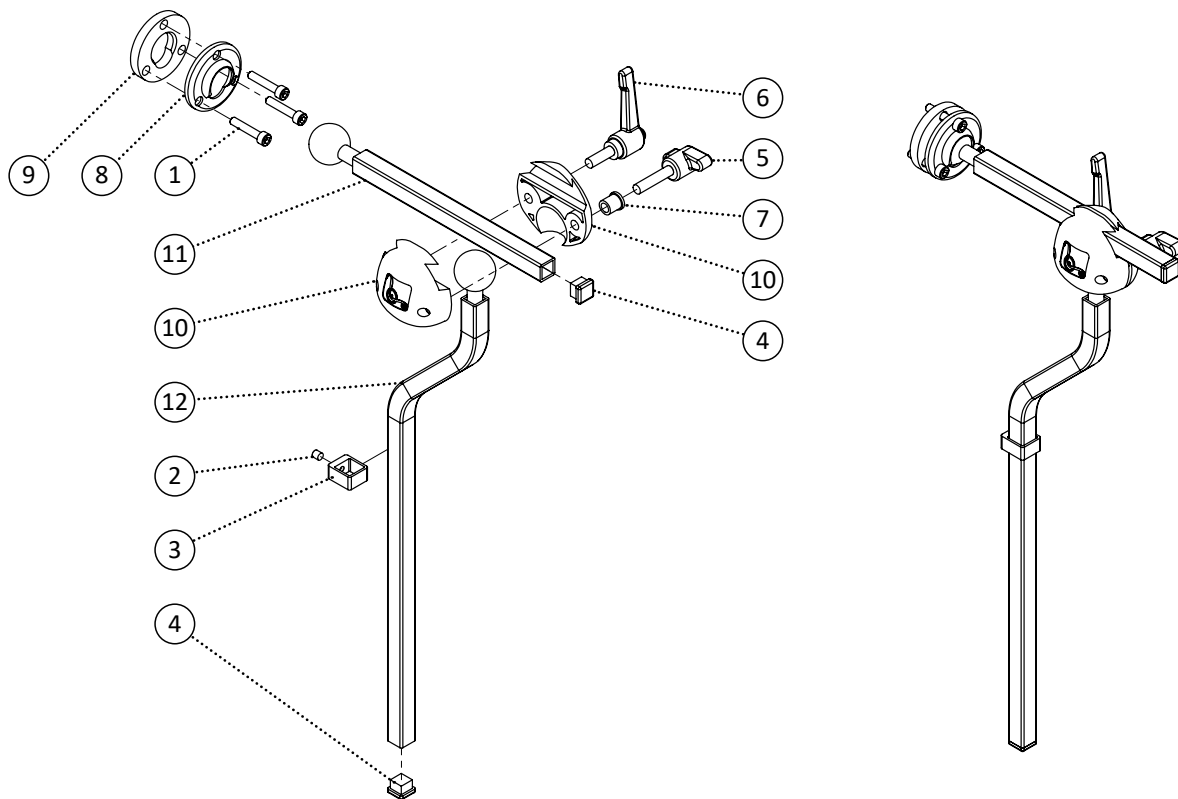
Item	REF Number	Description	Quantity	MSRP	Notes
1	549382	Screw, Truss Head 1/4-20 x 3/4	3		
2	549776	Footplate, Angle Adjust Plate 16 Footbox Left	1		
3	549777	Footplate, Angle Adjust Plate 16 Footbox Right	1		
4	549778	Footplate, Angle Adjust Plate 18 Footbox Left	1		
5	549779	Footplate, Angle Adjust Plate 18 Footbox Right	1		
6	549780	Footplate, Angle Adjust Plate 20 Footbox Left	1		
7	549781	Footplate, Angle Adjust Plate 20 Footbox Right	1		
8	549782	PPM, Footbox Soft 16	1		
9	549783	PPM, Footbox Soft 18	1		
10	549784	PPM, Footbox Soft 20	1		
11	549785	PPM, Footbox Soft 22	1		
12	549786	PPM, Footbox Soft 24	1		
13	549787	PPM, Footbox Soft 26	1		
14	549788	PPM, Footbox Soft 28	1		
15	549789	PPM, Footbox Soft 30	1		
16	549790	PPM, Footbox Hard 16	1		
17	549791	PPM, Footbox Hard 18	1		
18	549792	PPM, Footbox Hard 20	1		
19	549793	PPM, Footbox Hard 22	1		

Item	REF Number	Description	Quantity	MSRP	Notes
20	549794	PPM, Footbox Hard 24	1		
21	549795	PPM, Footbox Hard 26	1		
22	549796	PPM, Footbox Hard 28	1		
23	549797	PPM, Footbox Hard 30	1		
1,2,3,16	549798	Kit, Footbox Hard 16 Complete	1		
1,4,5,17	549799	Kit, Footbox Hard 18 Complete	1		
1,6,7,18	549800	Kit, Footbox Hard 20 Complete	1		
1,6,7,19	549801	Kit, Footbox Hard 22 Complete	1		
1,6,7,20	549802	Kit, Footbox Hard 24 Complete	1		
1,6,7,21	549803	Kit, Footbox Hard 26 Complete	1		
1,6,7,22	549804	Kit, Footbox Hard 28 Complete	1		
1,6,7,23	549805	Kit, Footbox Hard 30 Complete	1		

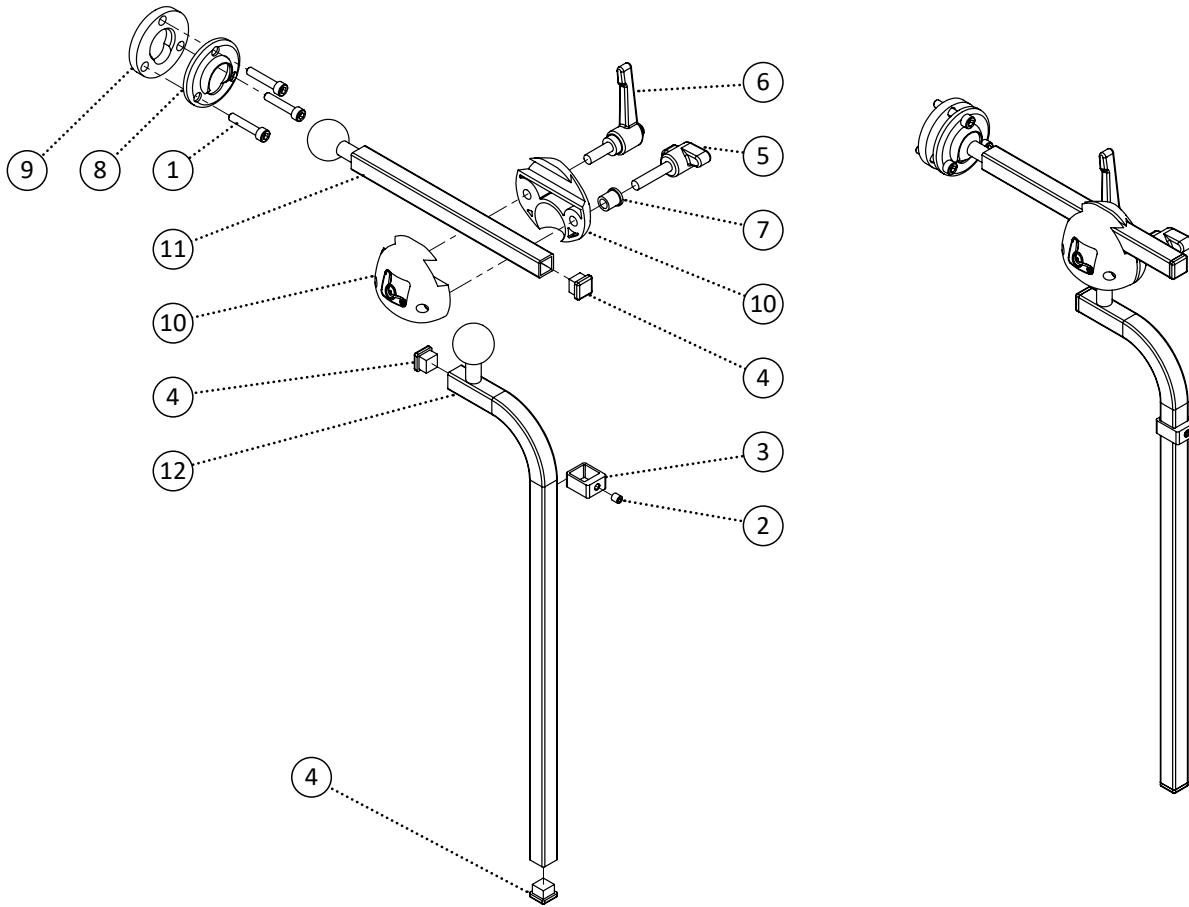


Item	REF Number	Description	Quantity	MSRP	Notes
1	549382	Screw, Truss Head 1/4-20 x 3/4	3		
2	549776	Footplate, Angle Adjust Plate 16 Footbox Left	1		
3	549777	Footplate, Angle Adjust Plate 16 Footbox Right	1		
4	549778	Footplate, Angle Adjust Plate 18 Footbox Left	1		
5	549779	Footplate, Angle Adjust Plate 18 Footbox Right	1		
6	549780	Footplate, Angle Adjust Plate 20 Footbox Left	1		
7	549781	Footplate, Angle Adjust Plate 20 Footbox Right	1		
8	549806	PPM, Foot Pocket Hard 16	1		
9	549807	PPM, Foot Pocket Hard 18	1		
10	549808	PPM, Foot Pocket Hard 20	1		
11	549809	PPM, Foot Pocket Hard 22	1		
12	549810	PPM, Foot Pocket Hard 24	1		
13	549811	PPM, Foot Pocket Hard 26	1		
14	549812	PPM, Foot Pocket Hard 28	1		
15	549813	PPM, Foot Pocket Hard 30	1		
1,2,8	549814	Kit, Foot Pocket Hard 16 Left Complete	1		
1,3,8	549815	Kit, Foot Pocket Hard 16 Right Complete	1		
1,4,9	549816	Kit, Foot Pocket Hard 18 Left Complete	1		
1,5,9	549817	Kit, Foot Pocket Hard 18 Right Complete	1		

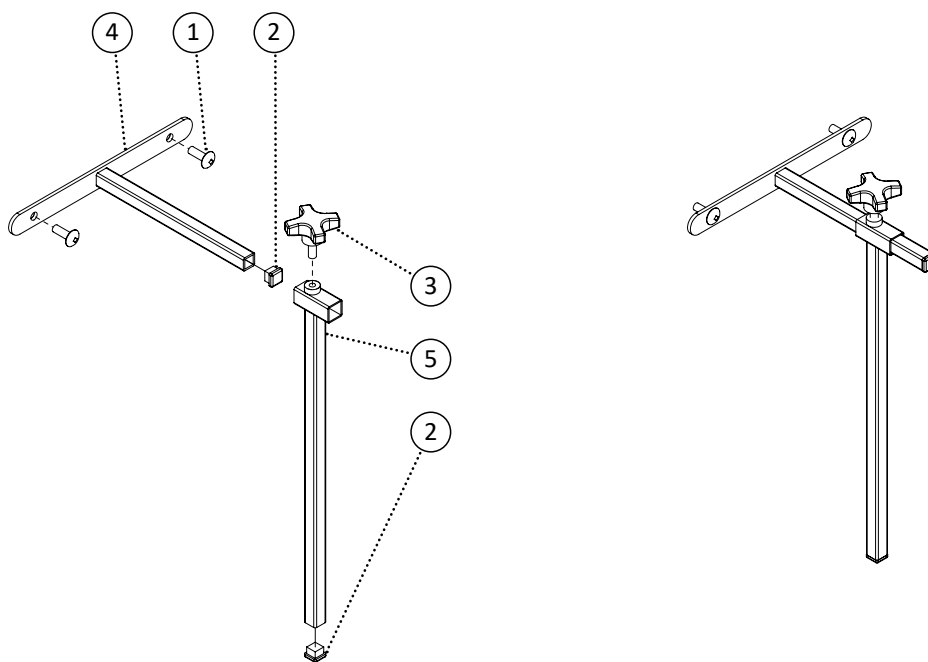
Item	REF Number	Description	Quantity	MSRP	Notes
1,6,10	549818	Kit, Foot Pocket Hard 20 Left Complete	1		
1,7,10	549819	Kit, Foot Pocket Hard 20 Right Complete	1		
1,6,11	549820	Kit, Foot Pocket Hard 22 Left Complete	1		
1,7,11	549821	Kit, Foot Pocket Hard 22 Right Complete	1		
1,6,12	549822	Kit, Foot Pocket Hard 24 Left Complete	1		
1,7,12	549823	Kit, Foot Pocket Hard 24 Right Complete	1		
1,6,13	549824	Kit, Foot Pocket Hard 26 Left Complete	1		
1,7,13	549825	Kit, Foot Pocket Hard 26 Right Complete	1		
1,6,14	549826	Kit, Foot Pocket Hard 28 Left Complete	1		
1,7,14	549827	Kit, Foot Pocket Hard 28 Right Complete	1		
1,6,15	549828	Kit, Foot Pocket Hard 30 Left Complete	1		
1,7,15	549829	Kit, Foot Pocket Hard 30 Right Complete	1		



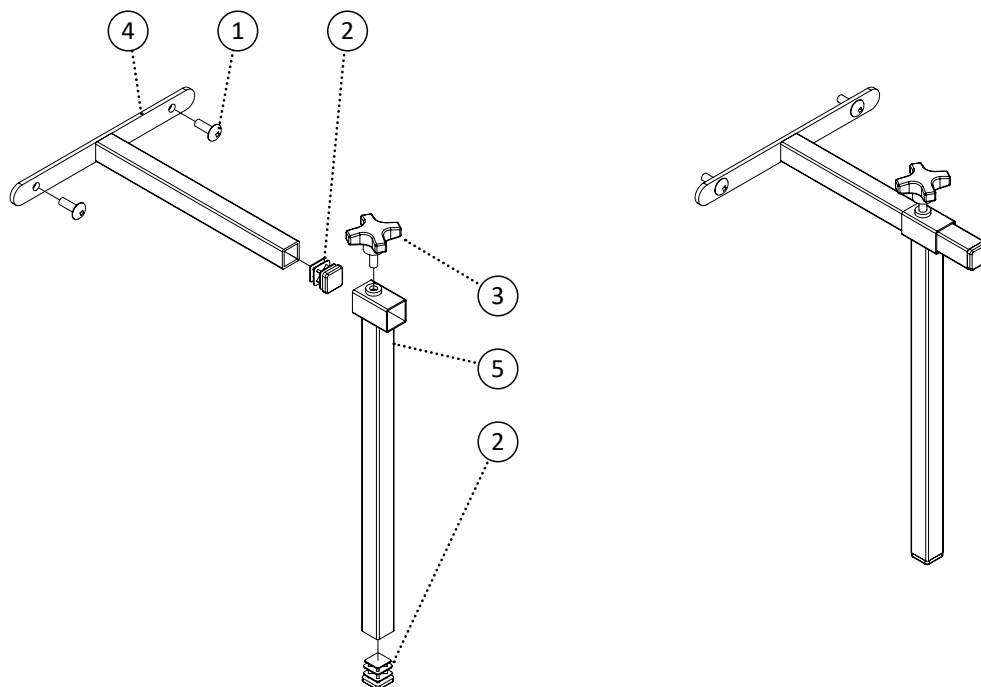
Item	REF Number	Description	Quantity	MSRP	Notes
1	549373	Screw, Socket Head 10-24 x 1	3		
2	549367	Screw, Set Screw 10-24 x 3/16	1		
3	548412	Bracket, 1/2 Locking Collar	1		
4	548479	Cap, 1/2 Square Cap	2		
5	548840	Knob, 2 Prong 1/4-20 x 1-1/8	1		
6	548843	Knob, Clamp Handle 1/4-20 x 3/4	1		
7	549387	Spacer, Custom Headrest Block Spacer	1		
8	549440	Washer, Swivel Pad Mount	1		
9	549439	Washer, Swivel Ball Mount	1		
10	548410	Block, Headrest Block v1	1		
11	549104	PPM, Horizontal Swivel Neck	1		
11	549105	PPM, Horizontal Swivel Neck Long	1		
12	549307	PPM, Vertical S-Bend Neck	1		
1-12	549308	Kit, Multi-Axis Neck S-Bend Complete Kit	1		



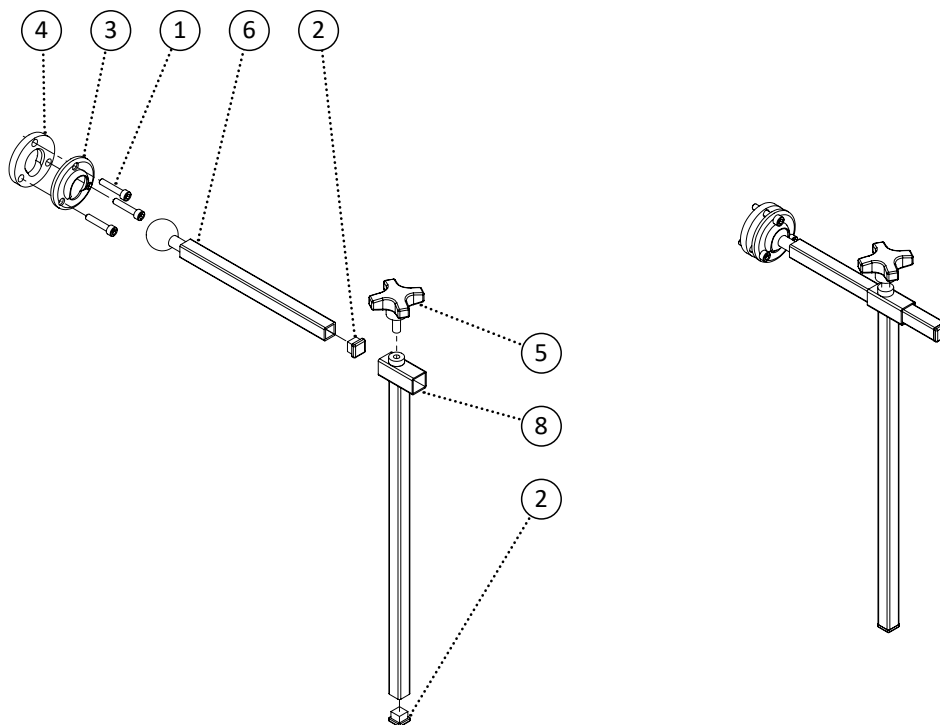
Item	REF Number	Description	Quantity	MSRP	Notes
1	549373	Screw, Socket Head 10-24 x 1	3		
2	549367	Screw, Set Screw 10-24 x 3/16	1		
3	548412	Bracket, 1/2 Locking Collar	1		
4	548479	Cap, 1/2 Square Cap	2		
5	548840	Knob, 2 Prong 1/4-20 x 1-1/8	1		
6	548843	Knob, Clamp Handle 1/4-20 x 3/4	1		
7	549387	Spacer, Custom Headrest Block Spacer	1		
8	549440	Washer, Swivel Pad Mount	1		
9	549439	Washer, Swivel Ball Mount	1		
10	548410	Block, Headrest Block v1	1		
11	549104	PPM, Horizontal Swivel Neck	1		
12	549105	PPM, Horizontal Swivel Neck Long	1		
13	549286	PPM, Vertical L-Bend Neck	1		
1-11,13	548754	Kit, Multi-Axis Neck L-Bend Complete Kit	1		



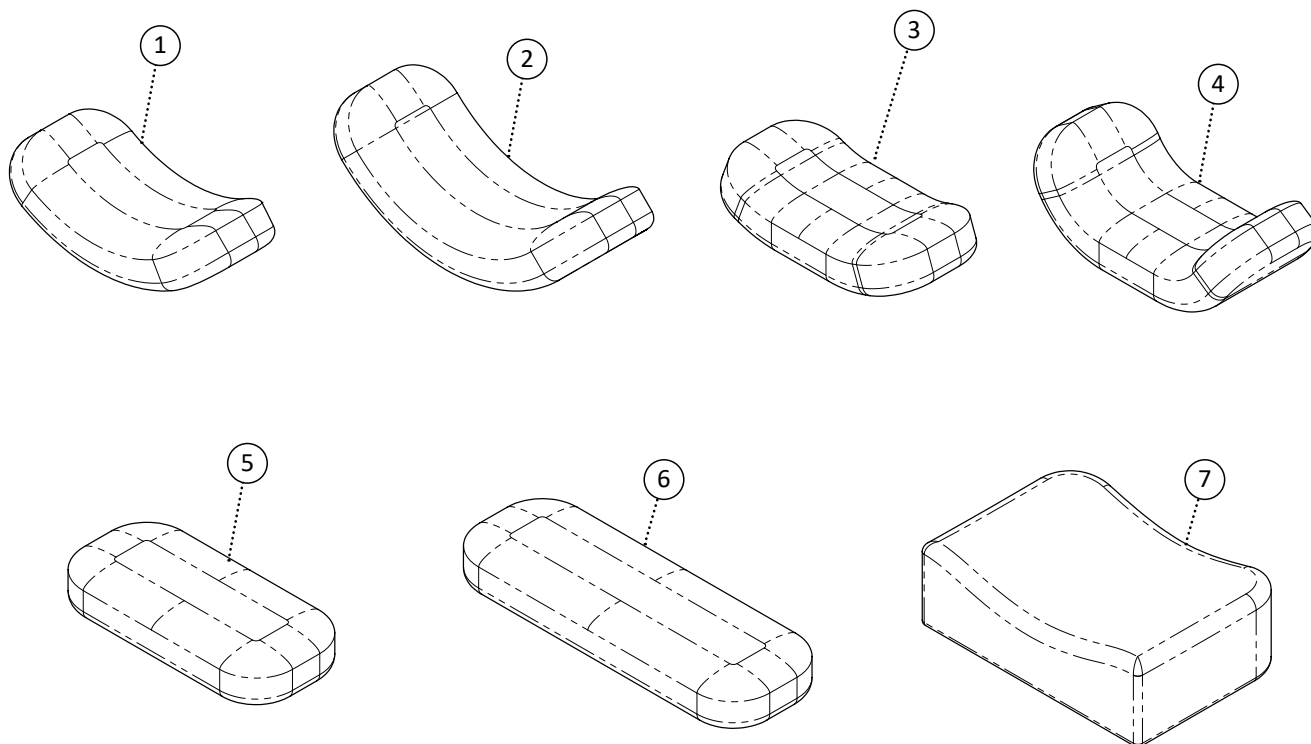
Item	REF Number	Description	Quantity	MSRP	Notes
1	549382	Screw, Truss Head 1/4-20 x 3/4	2		
2	548479	Cap, 1/2 Square Cap	2		
3	548841	Knob, 4 Prong 1/4-20 x 3/16	1		
4	548895	PPM, 1/2 Horizontal Fixed Neck	1		
5	548896	PPM, 1/2 Vertical Fixed Neck	1		
1-5	548831	Kit, Vertical Horizontal 1/2 Complete Kit	1		



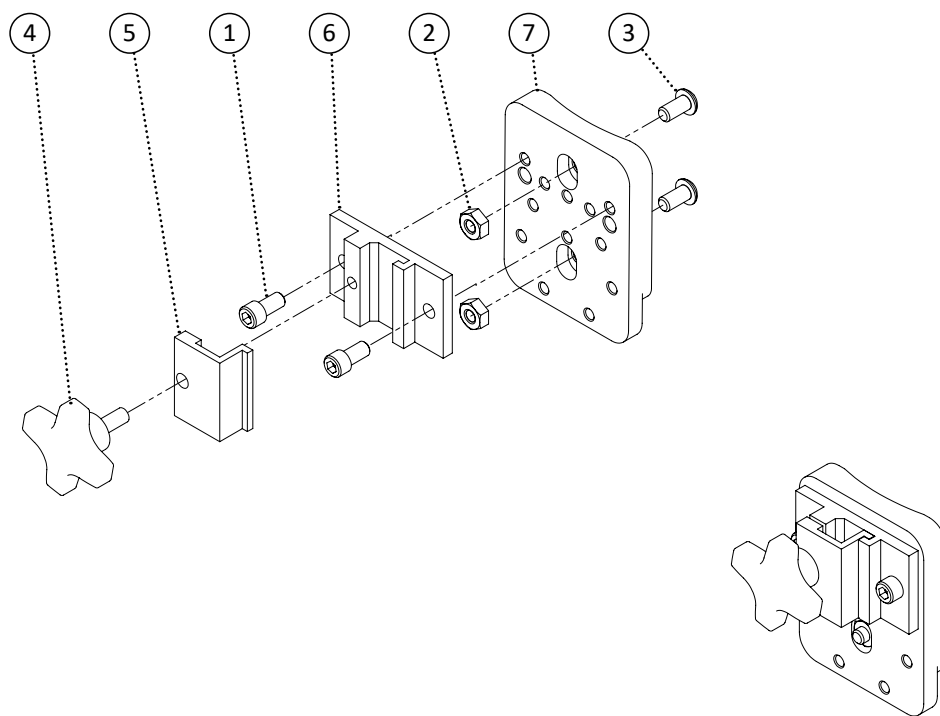
Item	REF Number	Description	Quantity	MSRP	Notes
1	549382	Screw, Truss Head 1/4-20 x 3/4	2		
2	548482	Cap, 3/4 Square Cap	2		
3	548841	Knob, 4 Prong 1/4-20 x 3/16	1		
4	548897	PPM, 3/4 Horizontal Fixed Neck	1		
5	548898	PPM, 3/4 Vertical Fixed Neck	1		
1-5	548832	Kit, Vertical Horizontal 3/4 Complete Kit	1		



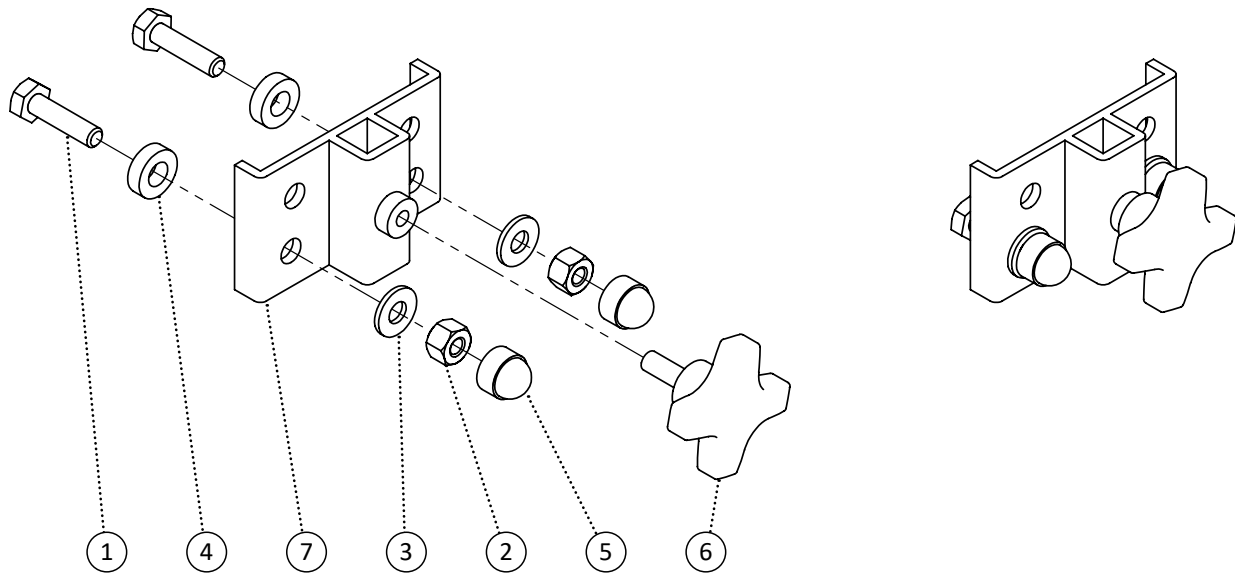
Item	REF Number	Description	Quantity	MSRP	Notes
1	549373	Screw, Socket Head 10-24 x 1	3		
2	548479	Cap, 1/2 Square Cap	2		
3	549440	Washer, Swivel Pad Mount	1		
4	549439	Washer, Swivel Ball Mount	1		
5	548841	Knob, 4 Prong 1/4-20 x 3/16	1		
6	549104	PPM, Horizontal Swivel Neck	1		
7	549105	PPM, Horizontal Swivel Neck Long	1		
8	548896	PPM, 1/2 Vertical Fixed Neck	1		
1-6,8	550120	Kit, Vertical Horizontal Multi-Axis 1/2 Complete Kit	1		



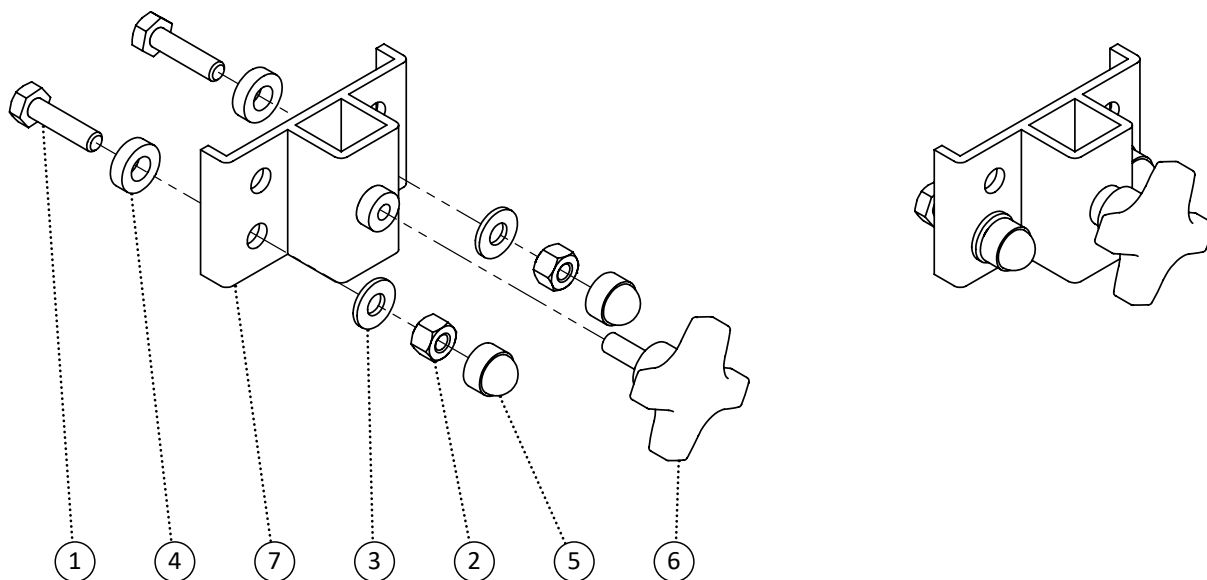
Item	REF Number	Description	Quantity	MSRP	Notes
1	548556	Headrest Pad, Contoured Pad Medium	1		
2	548555	Headrest Pad, Contoured Pad Large	1		
3	548557	Headrest Pad, Flat Pad Small	1		
4	548560	Headrest Pad, Polyurethane Pad Large	1		
5	548559	Headrest Pad, Flex Pad Small	1		
6	548558	Headrest Pad, Flex Pad Large	1		
7	548563	Headrest Pad, Square Pad Large	1		



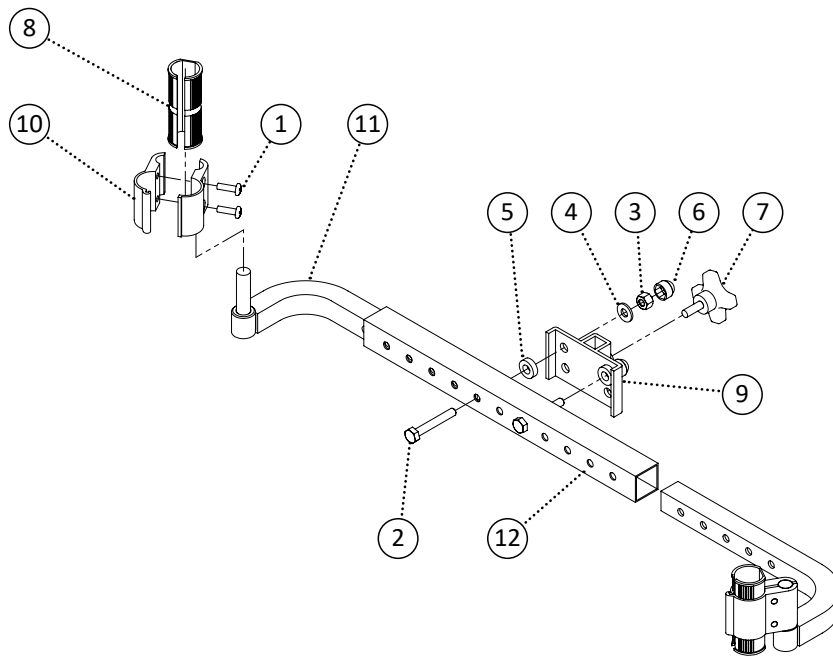
Item	REF Number	Description	Quantity	MSRP	Notes
1	549369	Screw, Socket Head 1/4-20 x 1/2	2		
2	548859	Nut, Nylon Lock Nut 1/4-20	2		
3	549348	Screw, Pan Head 1/4-20 x 1/2	2		
4	548844	Knob, Knob Screw 1/4-20	1		
5	548442	Bracket, Universal Headrest Mount Clamp 1	1		
6	548443	Bracket, Universal Headrest Mount Clamp 2	1		
7	548444	Bracket, Universal Headrest Mount Clamp 3	1		
1-7	548830	Kit, Universal Headrest Mount Complete Kit	1		



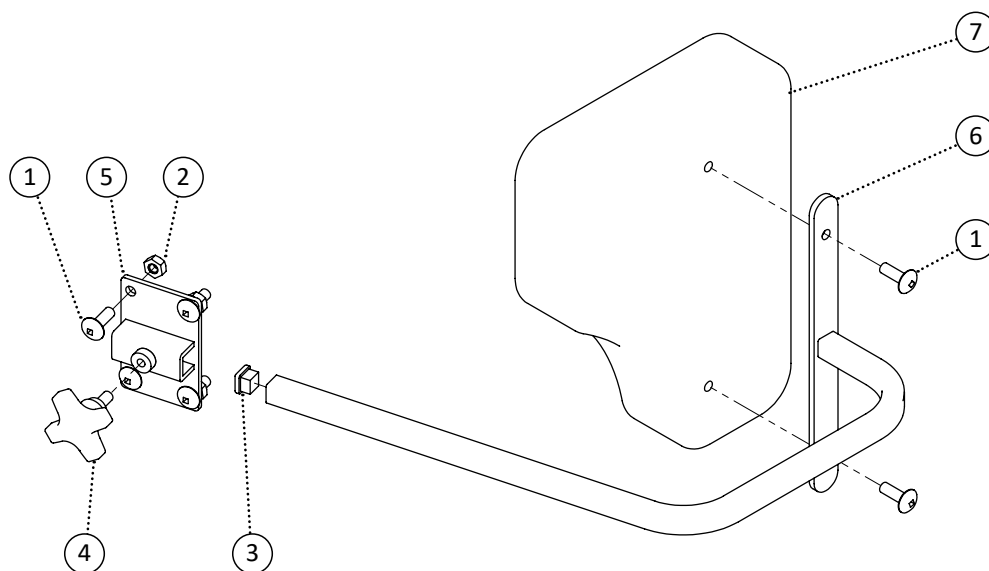
Item	REF Number	Description	Quantity	MSRP	Notes
1	549326	Screw, Hex Bolt 1/4-20 x 1	2		
2	548859	Nut, Nylon Lock Nut 1/4-20	2		
3	549423	Washer, Flat Washer 1/4 ID. x 5/8 OD.	2		
4	549390	Spacer, Nylon Spacer 5/16 ID. x .6 OD. x .18thk (blk)	2		
5	548480	Cap, 1/4 Nut Cap	2		
6	548844	Knob, Knob Screw 1/4-20	2		
7	548435	Bracket, Headrest Mount 1/2	1		
1-7	548740	Kit, Headrest Mount 1/2 Complete Kit	1		



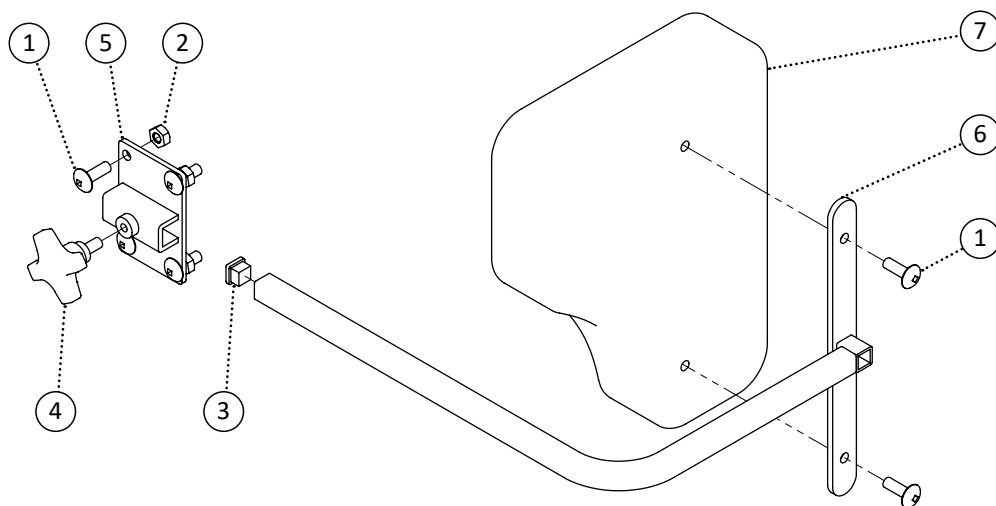
Item	REF Number	Description	Quantity	MSRP	Notes
1	549326	Screw, Hex Bolt 1/4-20 x 1	2		
2	548859	Nut, Nylon Lock Nut 1/4-20	2		
3	549423	Washer, Flat Washer 1/4 ID. x 5/8 OD.	2		
4	549390	Spacer, Nylon Spacer 5/16 ID. x .6 OD. x .18thk (blk)	2		
5	548480	Cap, 1/4 Nut Cap	2		
6	548844	Knob, Knob Screw 1/4-20	2		
7	549309	Bracket, Headrest Mount 3/4	1		
1-7	549310	Kit, Headrest Mount 3/4 Complete Kit	1		



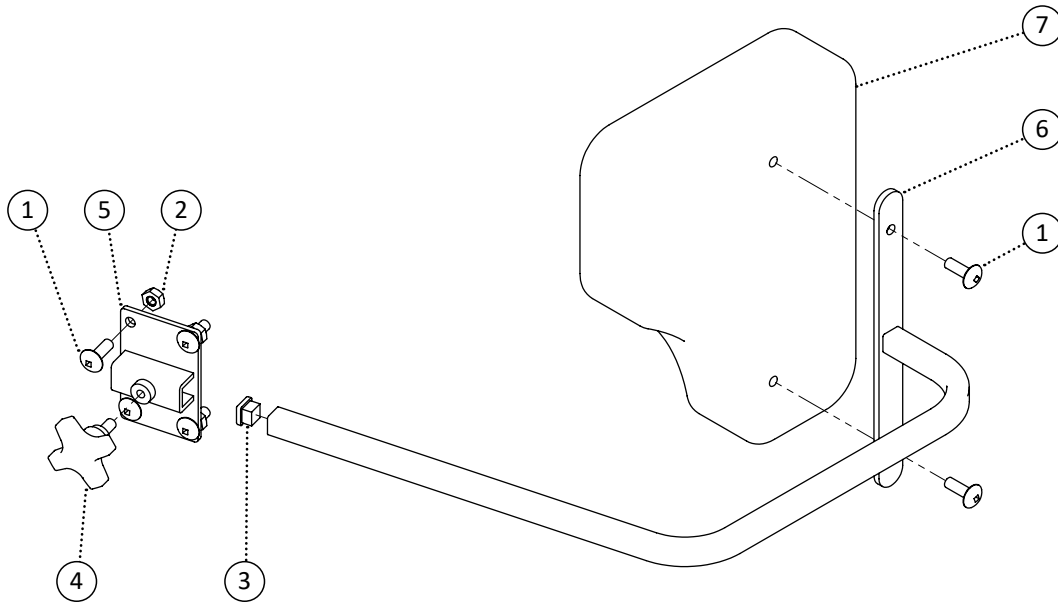
Item	REF Number	Description	Quantity	MSRP	Notes
1	550077	Screw, Round Head 10-32 x 5/8	4		
2	549330	Screw, Hex Bolt 1/4-20 x 1-3/4	2		
3	548859	Nut, Nylon Lock Nut 1/4-20	2		
4	549423	Washer, Flat Washer 1/4 ID. x 5/8 OD.	2		
5	549390	Spacer, Nylon Spacer 5/16 ID. x .6 OD. x .18thk (blk)	2		
6	548480	Cap, 1/4 Nut Cap	2		
7	548844	Knob, Knob Screw 1/4-20	1		
8	550078	Clamp, Expanding Sleeve 7/8 to 1	2		
9	548435	Bracket, Headrest Mount 1/2	1		
10	550079	Clamp, Aluminum Clamp 1 and 7/16	2		
11	550080	PPM, Straight Headrest Mounting Bracket Extension v1	1		
12	550081	PPM, Straight Headrest Mounting Bracket Receiver v1	1		
1-12	550082	Kit, Straight Headrest Mounting Bracket Complete Kit	1		



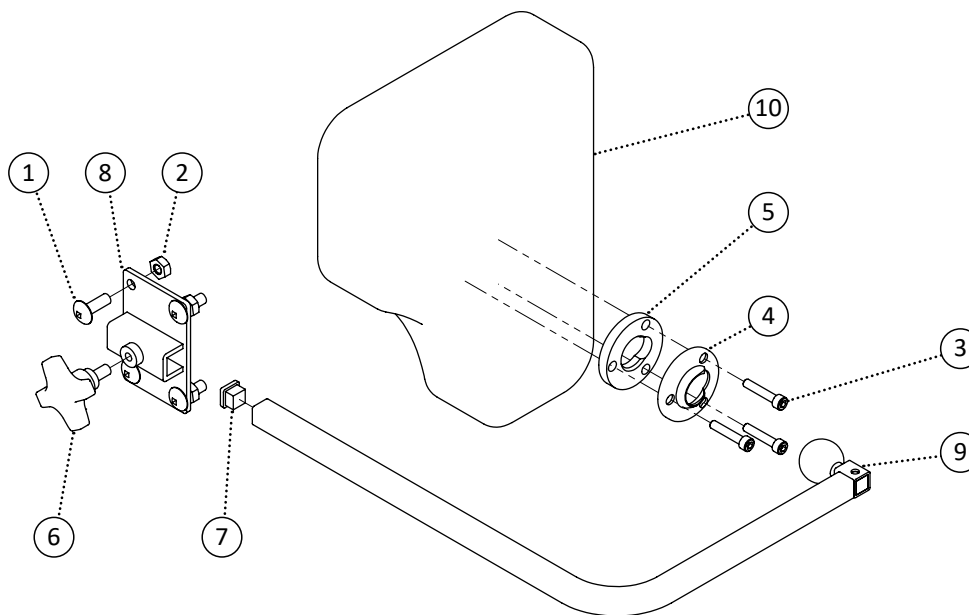
Item	REF Number	Description	Quantity	MSRP	Notes
1	549382	Screw, Truss Head 1/4-20 x 3/4	6		
2	548870	Nut, Nylon Lock Nut Thin 1/4-20	4		
3	548479	Cap, 1/2 Square Cap	1		
4	548841	Knob, 4 Prong 1/4-20 x 3/16	1		
5	549709	Bracket, Flat Headrest Mount 1/2	1		
6	549724	PPM, Lateral Bracket Fixed Standard	1		
7	549702	PPM, Lateral Padding Bite Out	1		
8	549703	PPM, Lateral Padding no Bite Out	1		
1-5,6	549704	Kit, Lateral Padding Bite Out Left Fixed Standard Complete	1		
1-5,6	549705	Kit, Lateral Padding Bite Out Right Fixed Standard Complete	1		
1-5,7	549706	Kit, Lateral Padding no Bite Out Left Fixed Standard Complete	1		
1-5,7	549707	Kit, Lateral Padding no Bite Out Right Fixed Standard Complete	1		
1,2,4,5	549708	Kit, Bracket Flat Headrest Mount 1/2	1		



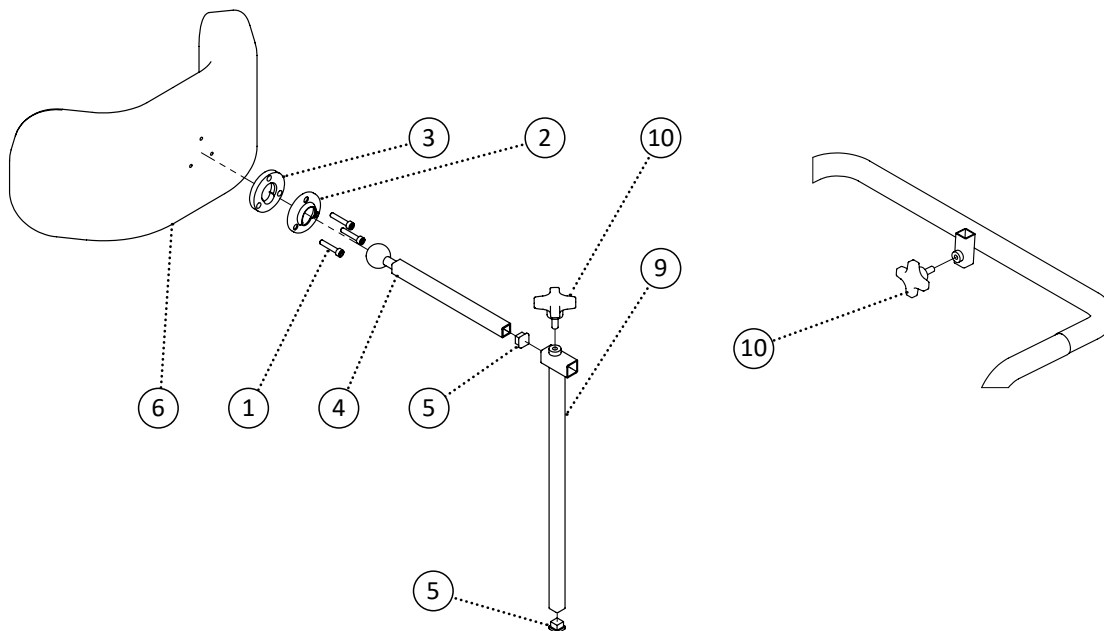
Item	REF Number	Description	Quantity	MSRP	Notes
1	549382	Screw, Truss Head 1/4-20 x 3/4	6		
2	548870	Nut, Nylon Lock Nut Thin 1/4-20	4		
3	548479	Cap, 1/2 Square Cap	1		
4	548841	Knob, 4 Prong 1/4-20 x 3/16	1		
5	549709	Bracket, Flat Headrest Mount 1/2	1		
6	549710	PPM, Lateral Bracket Fixed Short	1		
7	549702	PPM, Lateral Padding Bite Out	1		
8	549703	PPM, Lateral Padding no Bite Out	1		
1-5,6	549711	Kit, Lateral Padding Bite Out Left Fixed Short Complete	1		
1-5,6	549712	Kit, Lateral Padding Bite Out Right Fixed Short Complete	1		
1-5,7	549713	Kit, Lateral Padding no Bite Out Left Fixed Short Complete	1		
1-5,7	549714	Kit, Lateral Padding no Bite Out Right Fixed Short Complete	1		
1,2,4,5	549708	Kit, Bracket Flat Headrest Mount 1/2	1		



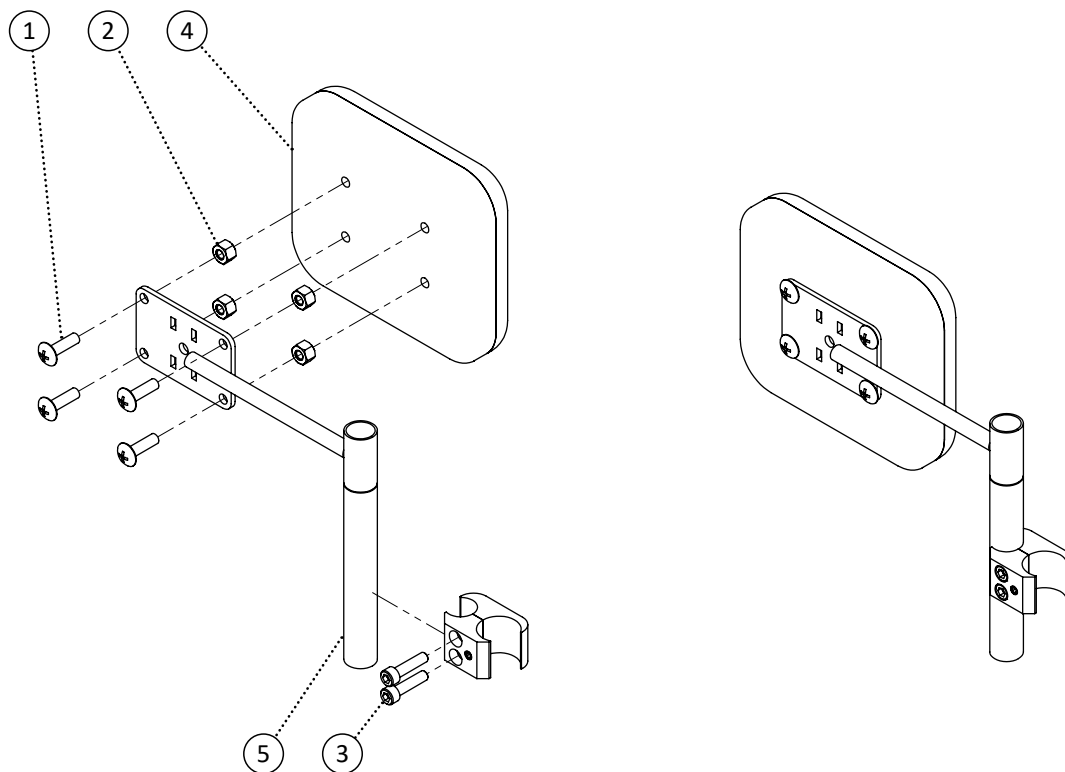
Item	REF Number	Description	Quantity	MSRP	Notes
1	549382	Screw, Truss Head 1/4-20 x 3/4	6		
2	548870	Nut, Nylon Lock Nut Thin 1/4-20	4		
3	548479	Cap, 1/2 Square Cap	1		
4	548841	Knob, 4 Prong 1/4-20 x 3/16	1		
5	549709	Bracket, Flat Headrest Mount 1/2	1		
6	549701	PPM, Lateral Bracket Fixed Long	1		
7	549702	PPM, Lateral Padding Bite Out	1		
8	549703	PPM, Lateral Padding no Bite Out	1		
1-5,6	549715	Kit, Lateral Padding Bite Out Left Fixed Long Complete	1		
1-5,6	549716	Kit, Lateral Padding Bite Out Right Fixed Long Complete	1		
1-5,7	549717	Kit, Lateral Padding no Bite Out Left Fixed Long Complete	1		
1-5,7	549718	Kit, Lateral Padding no Bite Out Right Fixed Long Complete	1		
1,2,4,5	549708	Kit, Bracket Flat Headrest Mount 1/2	1		



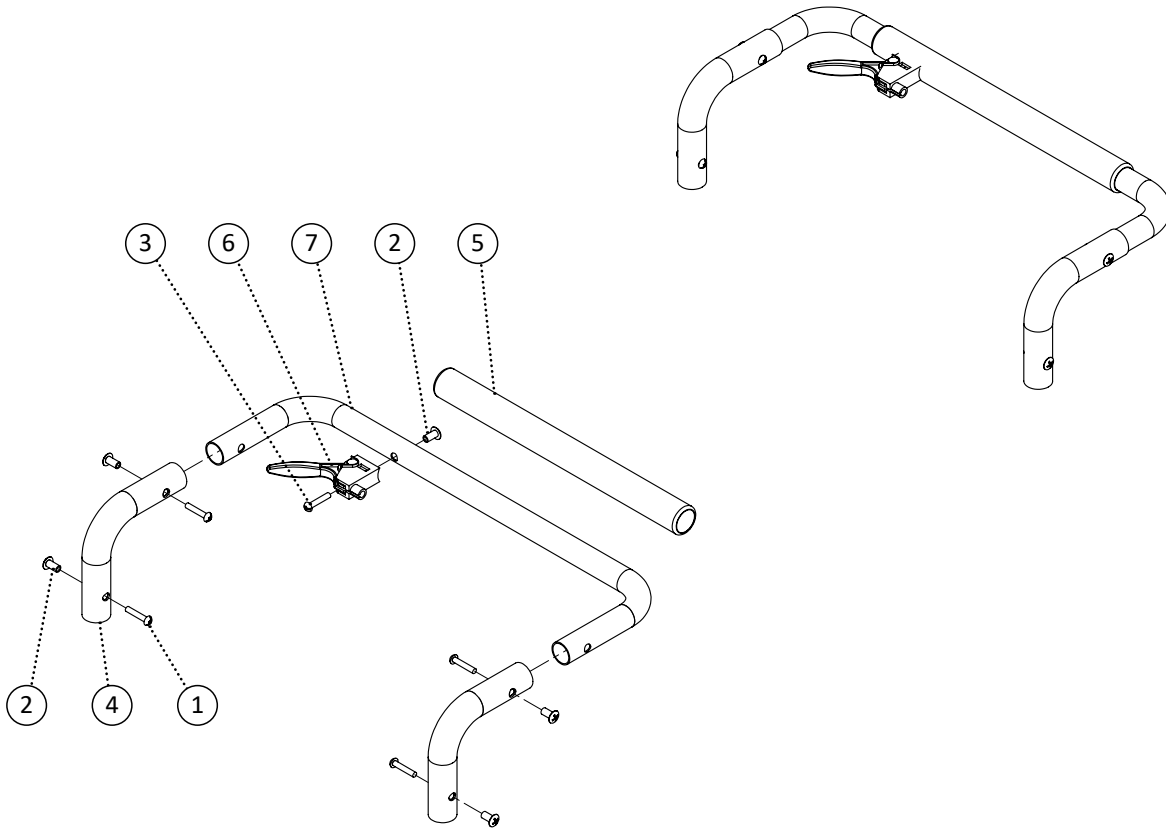
Item	REF Number	Description	Quantity	MSRP	Notes
1	549382	Screw, Truss Head 1/4-20 x 3/4	4		
2	548870	Nut, Nylon Lock Nut Thin 1/4-20	4		
3	549373	Screw, Socket Head 10-24 x 1	3		
4	549440	Washer, Swivel Pad Mount	1		
5	549439	Washer, Swivel Ball Mount	1		
6	548841	Knob, 4 Prong 1/4-20 x 3/16	1		
7	548479	Cap, 1/2 Square Cap	1		
8	549709	Bracket, Flat Headrest Mount 1/2	1		
9	549719	PPM, Lateral Bracket Multi-Axis 90 Degrees	1		
10	549702	PPM, Lateral Padding Bite Out	1		
11	549703	PPM, Lateral Padding no Bite Out	1		
1-9,10	549720	Kit, Lateral Padding Bite Out Left Multi-Axis 90 Complete	1		
1-9,10	549721	Kit, Lateral Padding Bite Out Right Multi-Axis 90 Complete	1		
1-9,11	549722	Kit, Lateral Padding no Bite Out Left Multi-Axis 90 Complete	1		
1-9,11	549723	Kit, Lateral Padding no Bite Out Right Multi-Axis 90 Complete	1		
1,2,6,8	549708	Kit, Bracket Flat Headrest Mount 1/2	1		
1,3,8	549815	Kit, Foot Pocket Hard 16 Right Complete	1		
1,4,9	549816	Kit, Foot Pocket Hard 18 Left Complete	1		
1,5,9	549817	Kit, Foot Pocket Hard 18 Right Complete	1		



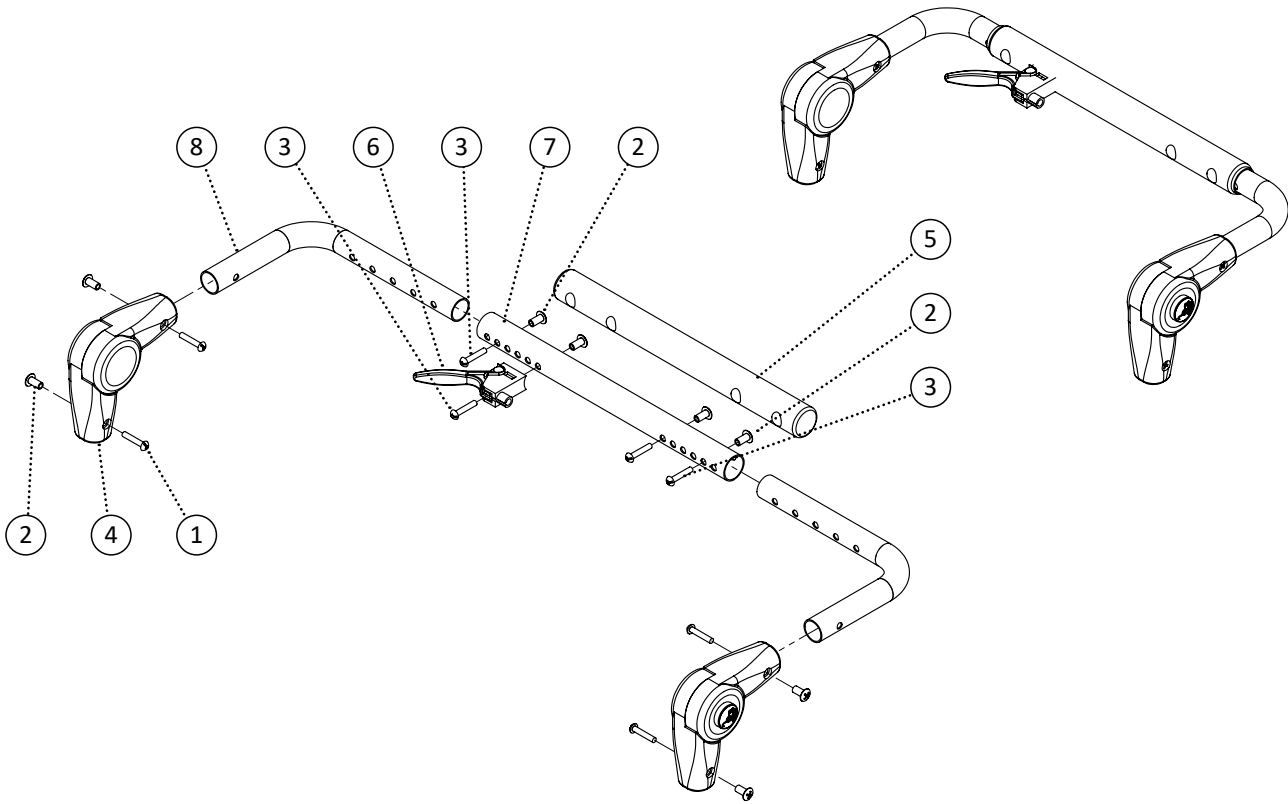
Item	REF Number	Description	Quantity	MSRP	Notes
1	549368	Screw, Socket Cap Screw 10-24 x 1	3		
2	549410	Washer, Ball Joint Receiver	1		
3	549426	Washer, Headrest Washer Stainless	1		
4	549102	PPM, Headrest Ball Joint Extension Stainless	1		
5	548500	Cap, Square Cap 1/2	2		
6	548560	Headrest Pad, Polyurethane Pad Large	1		
7	548561	Headrest Pad, Polyurethane Pad Medium	1		
8	548562	Headrest Pad, Polyurethane Pad Small	1		
9	549109	PPM, Linear Axis Vertical Receiver Stainless	1		
10	548845	Knob, Knob Screw 1/4-20 x 5/8	2		
1-5,6,9-10	548744	Kit, Linear Axis Swivel Polyurethane Large Pad Complete	1		
1-5,7,9-10	548745	Kit, Linear Axis Swivel Polyurethane Medium Pad Complete	1		
1-5,8,9-10	548746	Kit, Linear Axis Swivel Polyurethane Small Pad Complete	1		



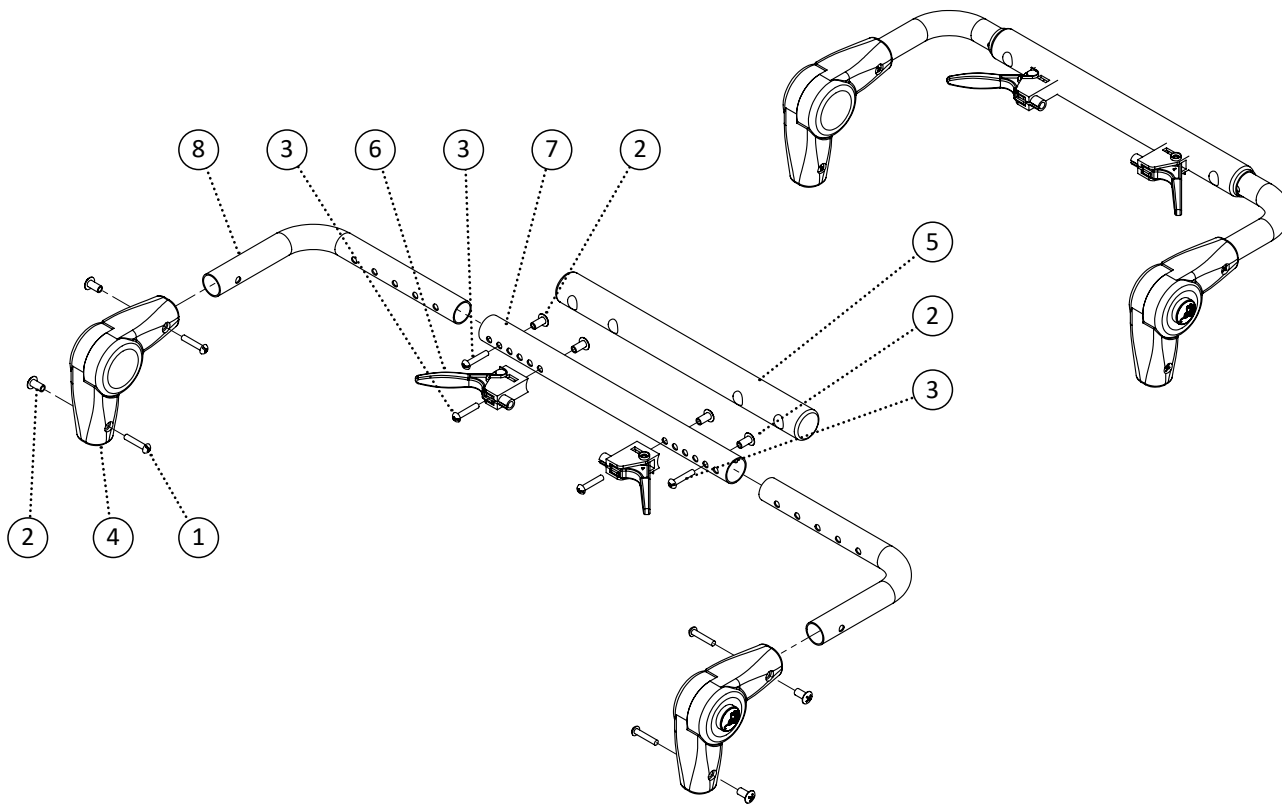
Item	REF Number	Description	Quantity	MSRP	Notes
1	549382	Screw, Truss Head 1/4-20 x 3/4	4		
2	548859	Nut, Nylon Lock Nut 1/4-20	4		
3	548505	Clamp, Aluminum Brake Clamp	1		
4	550121	PPM, Lateral Pad Swing Away	1		
5	550122	PPM, Lateral Swing Away Left Bracket	1		
6	550123	PPM, Lateral Swing Away Right Bracket	1		
1-6	550124	Kit, Lateral Swing Away Left Complete Kit	1		
1-5,7	550125	Kit, Lateral Swing Away Right Complete Kit	1		



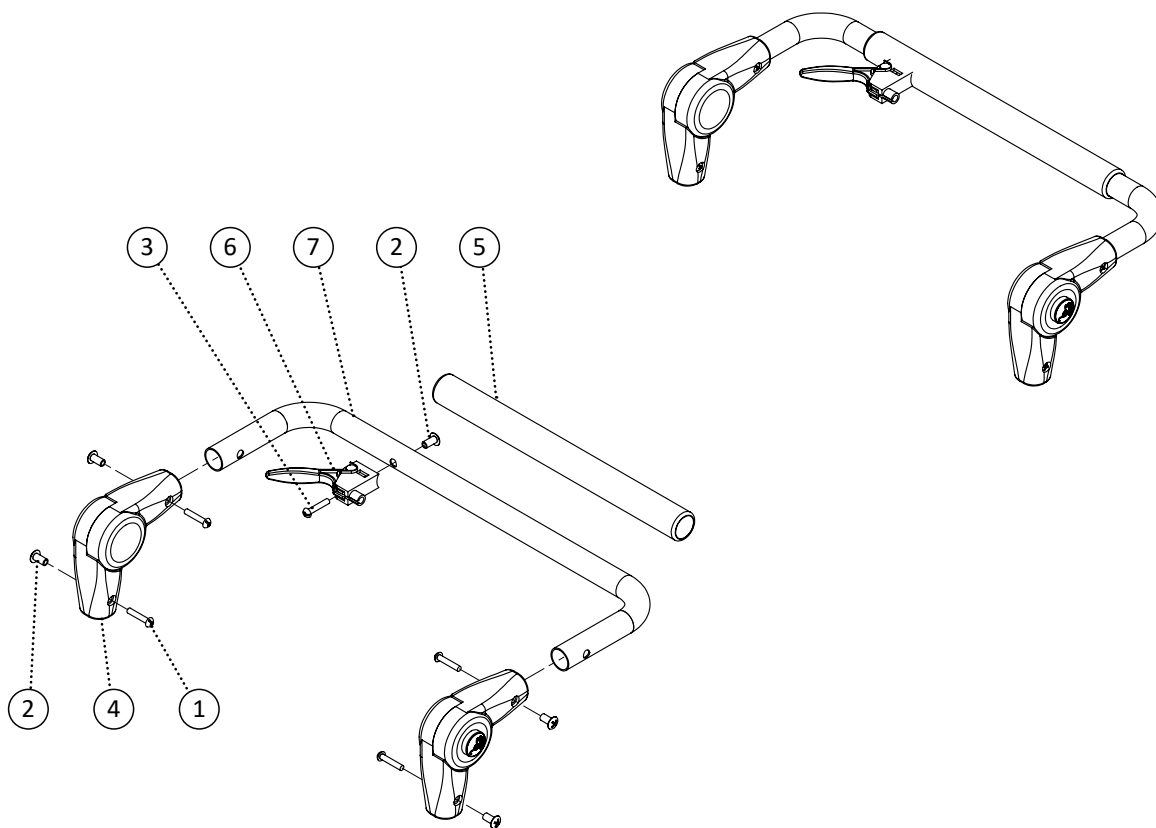
Item	REF Number	Description	Quantity	MSRP	Notes
1	549358	Screw, Round Head 10-24 x 1	4		
2	548877	Nut, Receiver 10-24	5		
3	549361	Screw, Round Head 10-24 x 3/4	1		
4	548565	Joint, Fixed Knuckle Joint	2		
5	548532	Grip, 1 Foam Grip	1		
6	549409	Trigger, Tilt Trigger	1		
7	549143	PPM, Spreader Bar Fixed 16	1		
8	549144	PPM, Spreader Bar Fixed 18	1		
9	549145	PPM, Spreader Bar Fixed 20	1		
10	549146	PPM, Spreader Bar Fixed 22	1		
11	549147	PPM, Spreader Bar Fixed 24	1		
1-6,7	548795	Kit, Spreader Bar - Fixed Joint, Fixed Bar 16 Complete Kit	1		
1-6,8	548796	Kit, Spreader Bar - Fixed Joint, Fixed Bar 18 Complete Kit	1		
1-6,9	548797	Kit, Spreader Bar - Fixed Joint, Fixed Bar 20 Complete Kit	1		
1-6,10	548798	Kit, Spreader Bar - Fixed Joint, Fixed Bar 22 Complete Kit	1		
1-6,11	548799	Kit, Spreader Bar - Fixed Joint, Fixed Bar 24 Complete Kit	1		



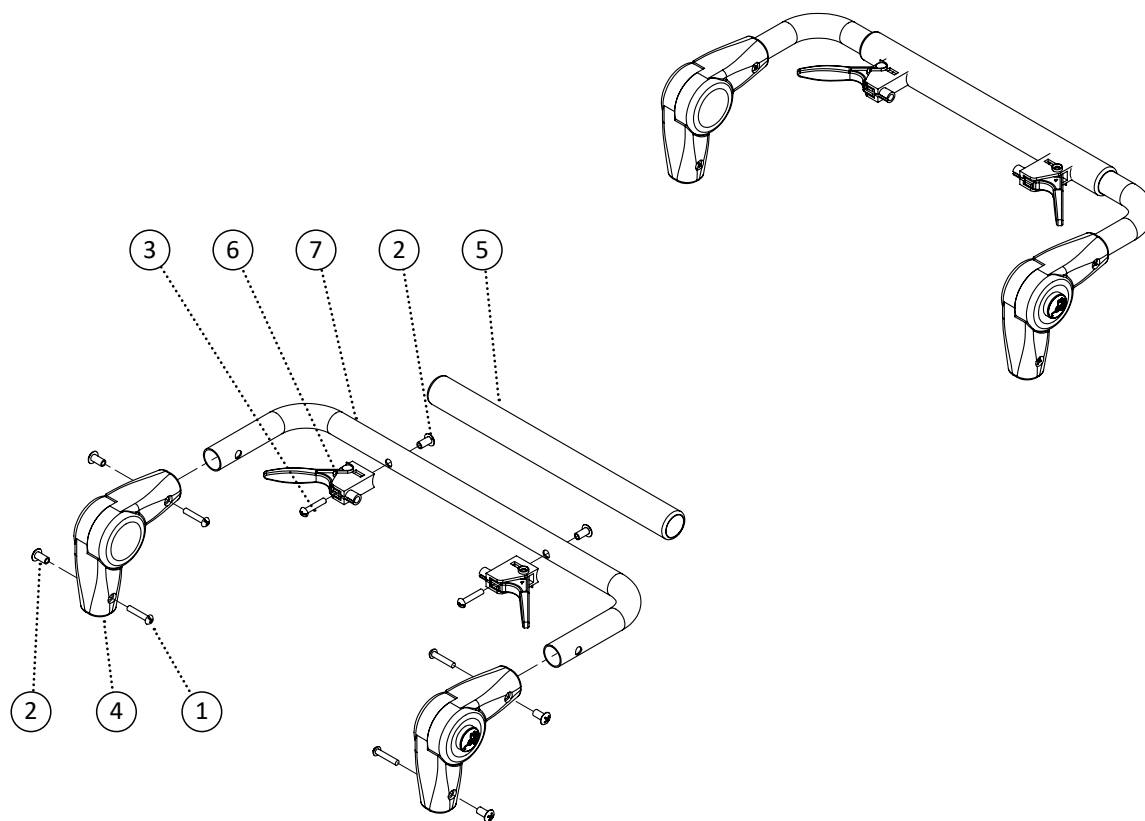
Item	REF Number	Description	Quantity	MSRP	Notes
1	549358	Screw, Round Head 10-24 x 1	4		
2	548877	Nut, Receiver 10-24	8		
3	549361	Screw, Round Head 10-24 x 3/4	4		
4	548564	Joint, Adjustable Knuckle Joint	2		
5	548532	Grip, 1 Foam Grip	1		
6	549409	Trigger, Tilt Trigger	1		
7	549142	PPM, Spreader Bar Center Extension	1		
8	549148	PPM, Spreader Bar L Bracket Receiver	2		
1-8	548787	Kit, Spreader Bar - Adjustable Complete Kit	1		



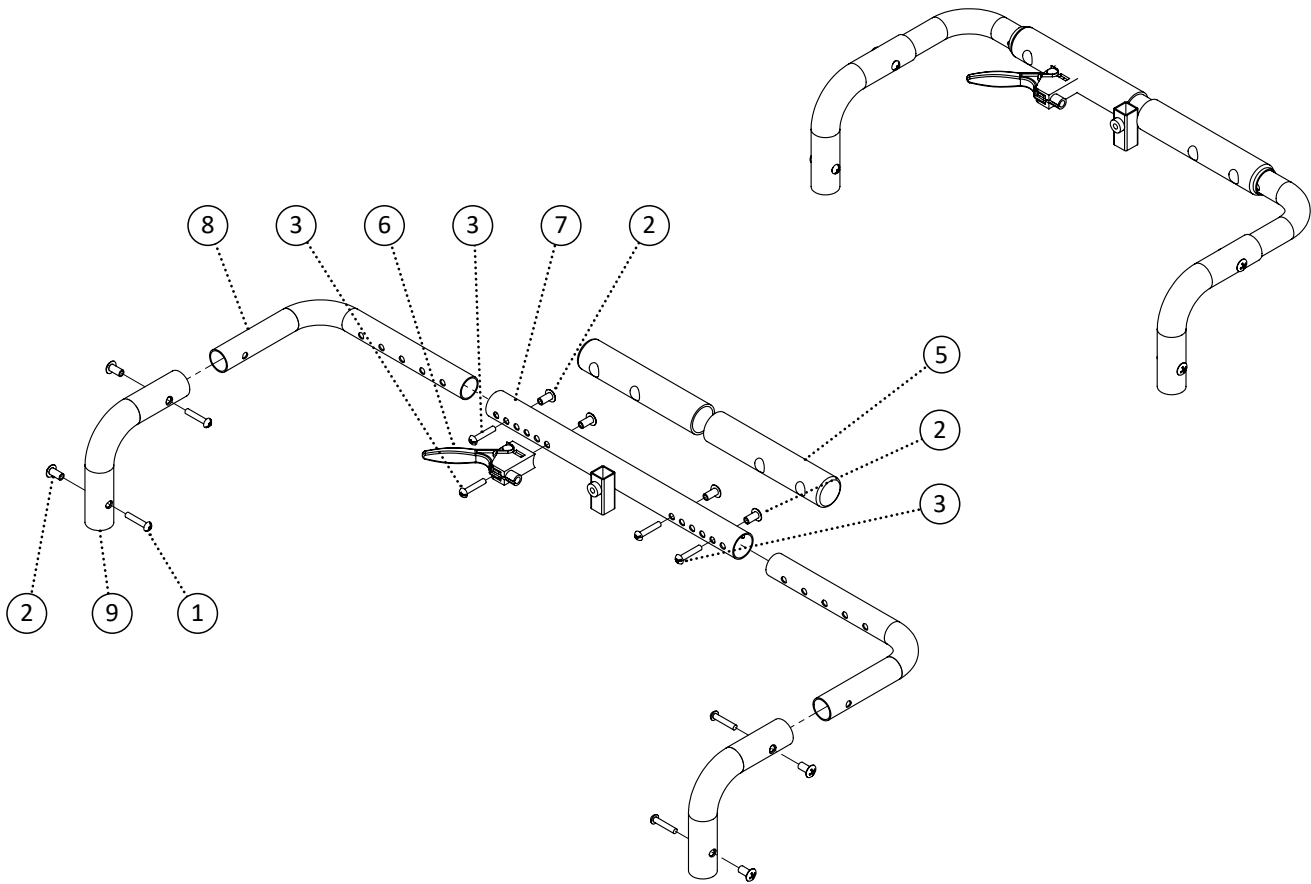
Item	REF Number	Description	Quantity	MSRP	Notes
1	549358	Screw, Round Head 10-24 x 1	4		
2	548877	Nut, Receiver 10-24	8		
3	549361	Screw, Round Head 10-24 x 3/4	4		
4	548564	Joint, Adjustable Knuckle Joint	2		
5	548532	Grip, 1 Foam Grip	1		
6	549409	Trigger, Tilt Trigger	2		
7	549142	PPM, Spreader Bar Center Extension	1		
8	549148	PPM, Spreader Bar L Bracket Receiver	2		
1-8	548789	Kit, Spreader Bar - Adjustable, Recline Complete Kit	1		



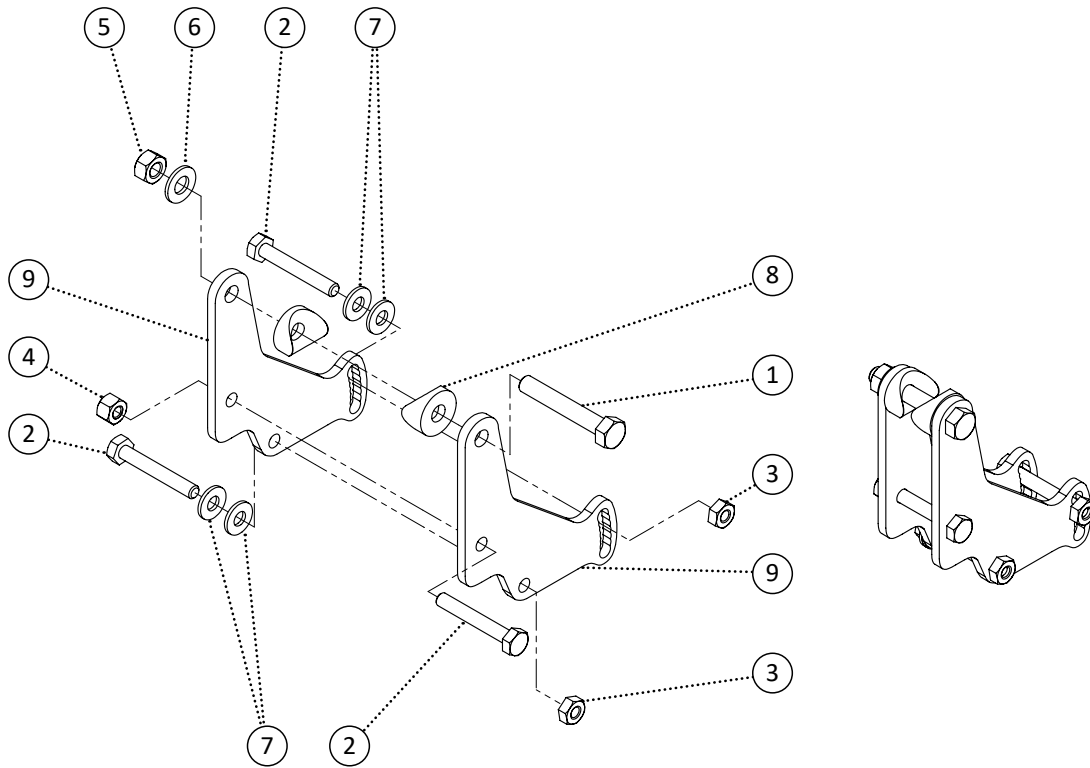
Item	REF Number	Description	Quantity	MSRP	Notes
1	549358	Screw, Round Head 10-24 x 1	4		
2	548877	Nut, Receiver 10-24	5		
3	549361	Screw, Round Head 10-24 x 3/4	1		
4	548564	Joint, Adjustable Knuckle Joint	2		
5	548532	Grip, 1 Foam Grip	1		
6	549409	Trigger, Tilt Trigger	1		
7	549143	PPM, Spreader Bar Fixed 16	1		
8	549144	PPM, Spreader Bar Fixed 18	1		
9	549145	PPM, Spreader Bar Fixed 20	1		
10	549146	PPM, Spreader Bar Fixed 22	1		
11	549147	PPM, Spreader Bar Fixed 24	1		
1-6,7	548790	Kit, Spreader Bar - Fixed Bar 16 Complete Kit	1		
1-6,8	548791	Kit, Spreader Bar - Fixed Bar 18 Complete Kit	1		
1-6,9	548792	Kit, Spreader Bar - Fixed Bar 20 Complete Kit	1		
1-6,10	548793	Kit, Spreader Bar - Fixed Bar 22 Complete Kit	1		
1-6,11	548794	Kit, Spreader Bar - Fixed Bar 24 Complete Kit	1		



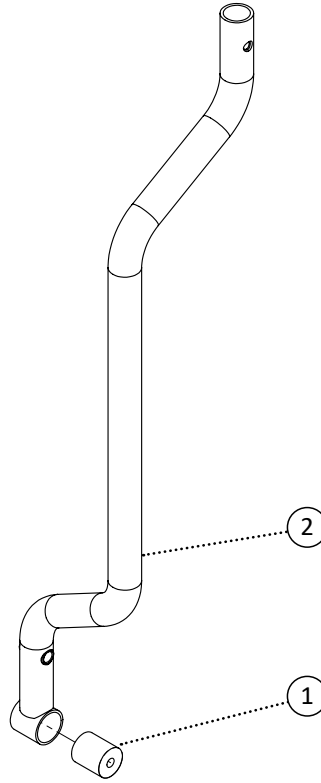
Item	REF Number	Description	Quantity	MSRP	Notes
1	549358	Screw, Round Head 10-24 x 1	4		
2	548877	Nut, Receiver 10-24	6		
3	549361	Screw, Round Head 10-24 x 3/4	2		
4	548565	Joint, Fixed Knuckle Joint	2		
5	548532	Grip, 1 Foam Grip	1		
6	549409	Trigger, Tilt Trigger	2		
7	549143	PPM, Spreader Bar Fixed 16	1		
8	549144	PPM, Spreader Bar Fixed 18	1		
9	549145	PPM, Spreader Bar Fixed 20	1		
10	549146	PPM, Spreader Bar Fixed 22	1		
11	549147	PPM, Spreader Bar Fixed 24	1		
1-6,7	548800	Kit, Spreader Bar - Fixed Joint, Recline 16 Complete Kit	1		
1-6,8	548801	Kit, Spreader Bar - Fixed Joint, Recline 18 Complete Kit	1		
1-6,9	548802	Kit, Spreader Bar - Fixed Joint, Recline 20 Complete Kit	1		
1-6,10	548803	Kit, Spreader Bar - Fixed Joint, Recline 22 Complete Kit	1		
1-6,11	548804	Kit, Spreader Bar - Fixed Joint, Recline 24 Complete Kit	1		



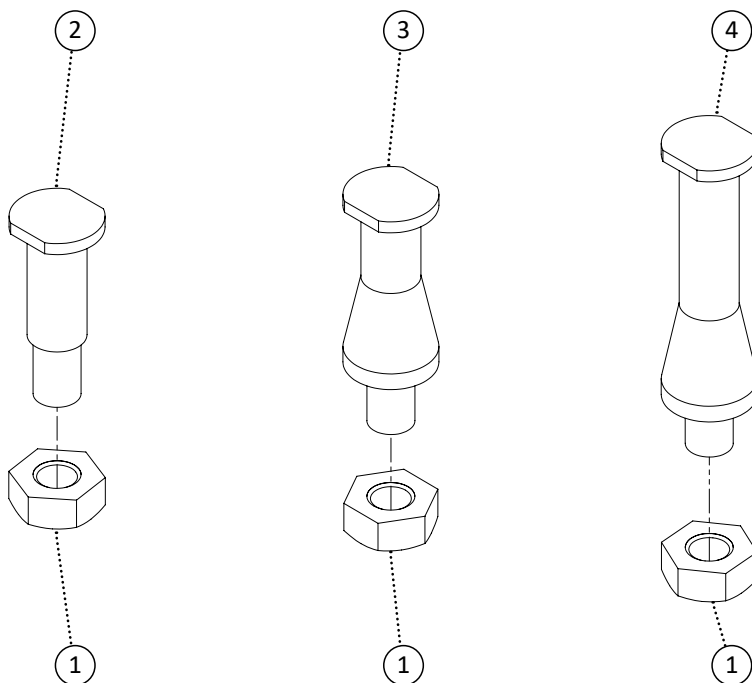
Item	REF Number	Description	Quantity	MSRP	Notes
1	549358	Screw, Round Head 10-24 x 1	4		
2	548877	Nut, Receiver 10-24	8		
3	549361	Screw, Round Head 10-24 x 3/4	4		
4	548565	Joint, Fixed Knuckle Joint	2		
5	548532	Grip, 1 Foam Grip	1		
6	549409	Trigger, Tilt Trigger	1		
7	549142	PPM, Spreader Bar Center Extension	1		
8	549148	PPM, Spreader Bar L Bracket Receiver	2		
9	548565	Joint, Fixed Knuckle Joint	2		
1-9	548788	Kit, Spreader Bar - Adjustable, Headrest Mount Complete Kit	1		



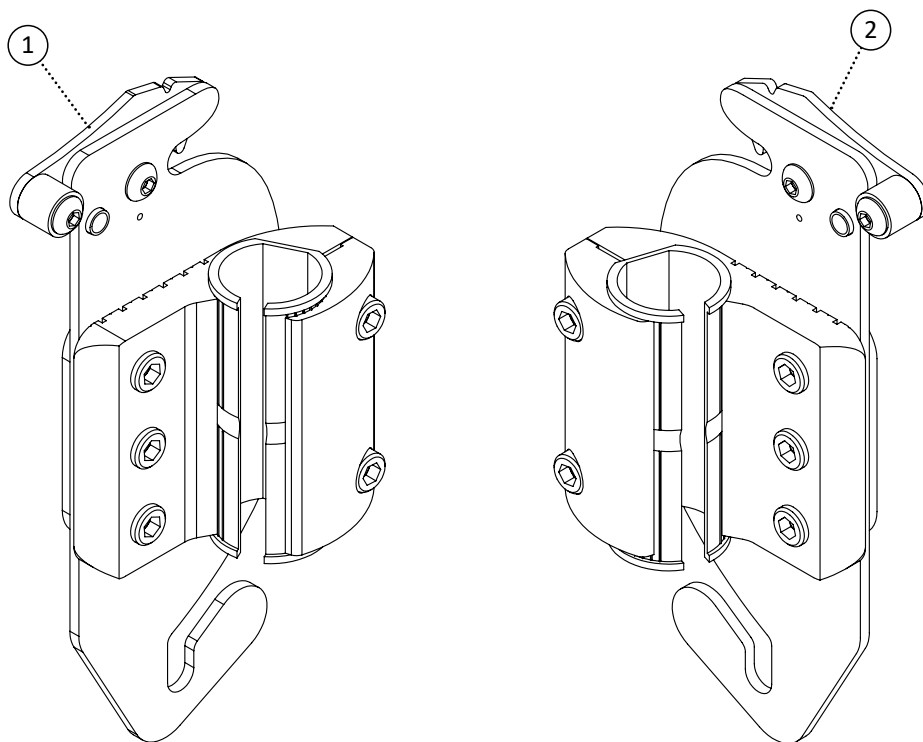
Item	REF Number	Description	Quantity	MSRP	Notes
1	549340	Screw, Hex Bolt 5/16-18 x 2 x 7/8	1		
2	549330	Screw, Hex Bolt 1/4-20 x 1-3/4	3		
3	548870	Nut, Nylon Lock Nut Thin 1/4-20	2		
4	548859	Nut, Nylon Lock Nut 1/4-20	1		
5	548862	Nut, Nylon Lock Nut 5/16-18	1		
6	549425	Washer, Flat Washer 5/16 ID. x 5/8 OD.	1		
7	549423	Washer, Flat Washer 1/4 ID. x 5/8 OD.	4		
8	549438	Washer, Radius Washer 7/8 (5/16 ID. x 7/8 OD. x 7/8cu)	2		
9	548413	Bracket, Angle Adjustable Bracket	2		
1-9	548598	Kit, Angle Adjustable Back Left Complete Kit	1		
1-9	548599	Kit, Angle Adjustable Back Right Complete Kit	1		



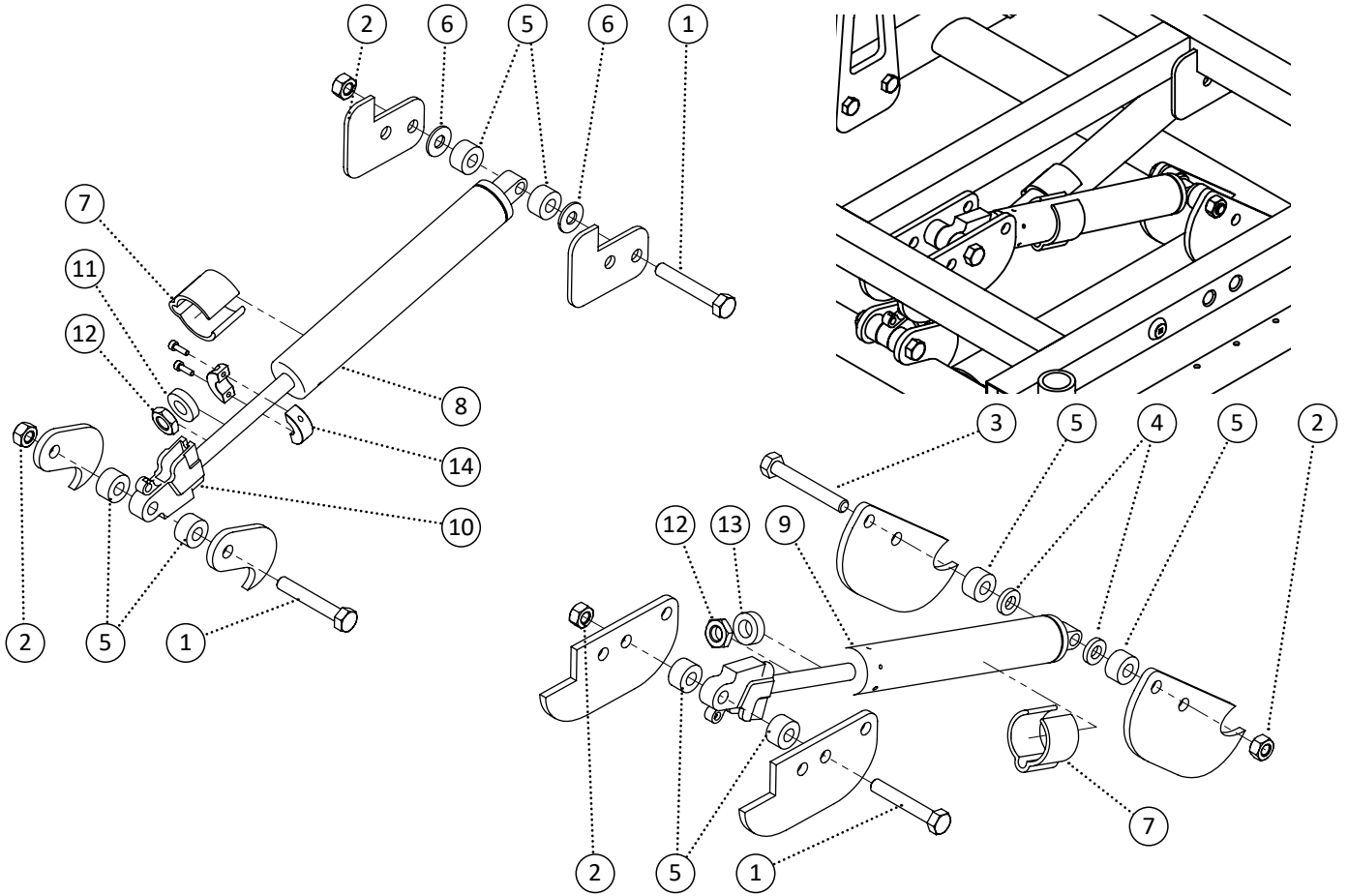
Item	REF Number	Description	Quantity	MSRP	Notes
1	548468	Bushing, Nylon Bushing 1/4 ID. x 7/8 OD. x 1thk	1		
2	550505	PPM, NVTilt Backpost Regular Length	1		
1-2	550506	Kit, NVTilt Backpost Regular Length Complete	1		



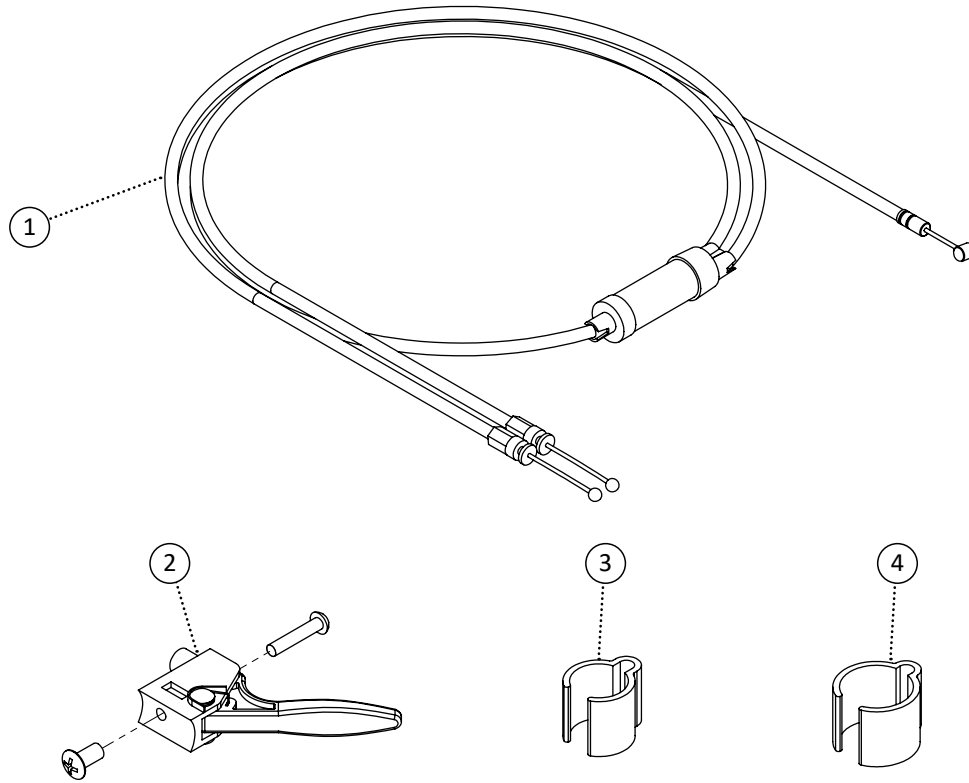
Item	REF Number	Description	Quantity	MSRP	Notes
1	548872	Nut, Nylon Lock Nut Thin 1/4-28	1		
2	549725	Pin, Back Pin Standard	1		
3	549726	Pin, Back Pin 1 Total Width	1		
4	549727	Pin, Back Pin 2 Total Width	1		
1,2	549728	Kit, Back Pin Standard Complete	1		
1,3	549729	Kit, Back Pin 1 Total Width Complete	1		
1,4	549730	Kit, Back Pin 2 Total Width Complete	1		



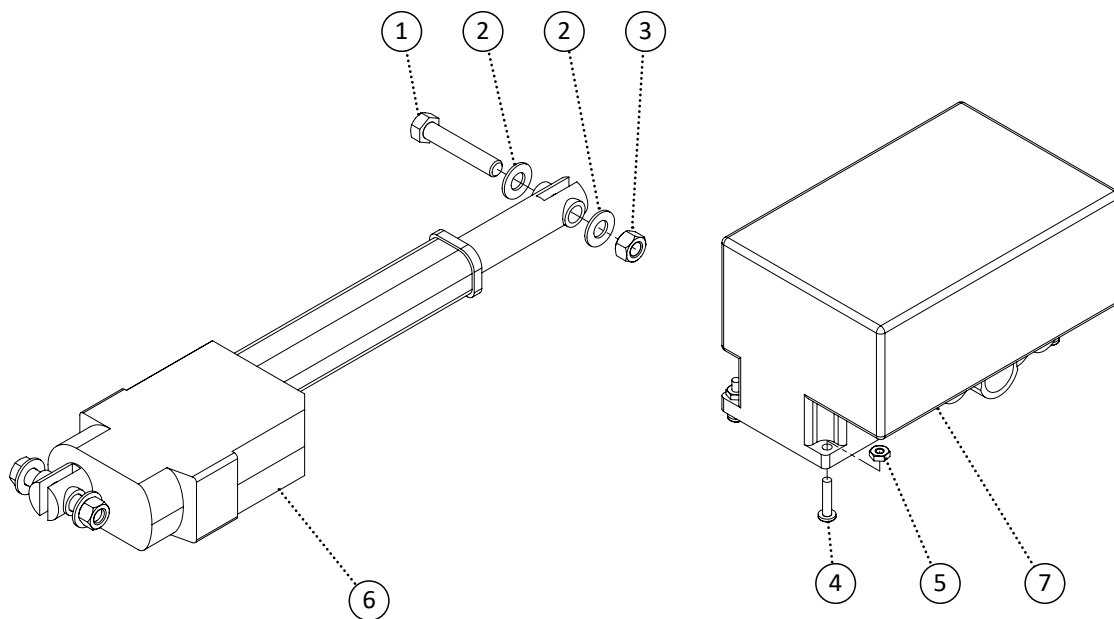
Item	REF Number	Description	Quantity	MSRP	Notes
1	548507	Clamp, Backpost Clamp Right	1		
2	548506	Clamp, Backpost Clamp Left	1		
1-2	548630	Kit, Backpost Clamp Left and Right Complete Kit	1		



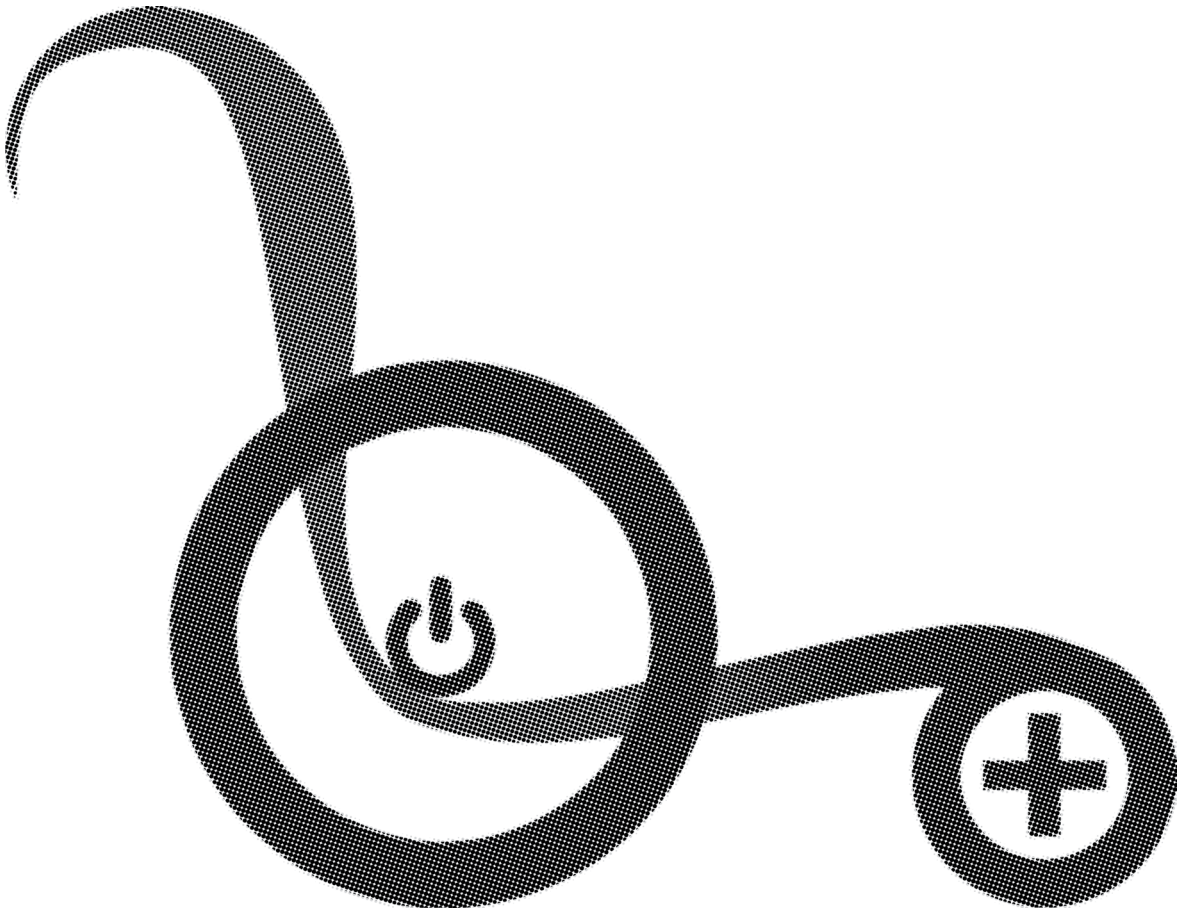
Item	REF Number	Description	Quantity	MSRP	Notes
1	549339	Screw, Hex Bolt 5/16-18 x 2	3		
2	548862	Nut, Nylon Lock Nut 5/16-18	4		
3	549341	Screw, Hex Bolt 5/16-18 x 2-1/4	1		
4	549389	Spacer, Nylon Spacer 5/16 ID. x .6 OD x .12thk (wht)	2		
5	549385	Spacer, 8.3mm ID x 18mm OD x 10mmthk	8		
6	549430	Washer, Nylon Washer 5/16 ID. x 3/4 OD. x .063thk	2		
7	548503	Clamp, 1 Tube Clamp	2		
8	548516	Cylinder, Gas Spring 500N Short	1		
9	548514	Cylinder, Gas Spring 200N Short	1		
10	548517	Cylinder, Head	2		
11	549395	Spacer, Rubber Spacer .39 ID. x .8 OD. x 0.2th	1		
12	548856	Nut, Jam Nut M10-1.0	2		
13	549393	Spacer, Nylon Spacer 7/16 ID. x .7 OD. x .25th	1		
14	548849	Lock, Collar Lock Subassembly	1		
1-14	548829	Kit, Tilt Cylinders (STP) Complete Kit	1		

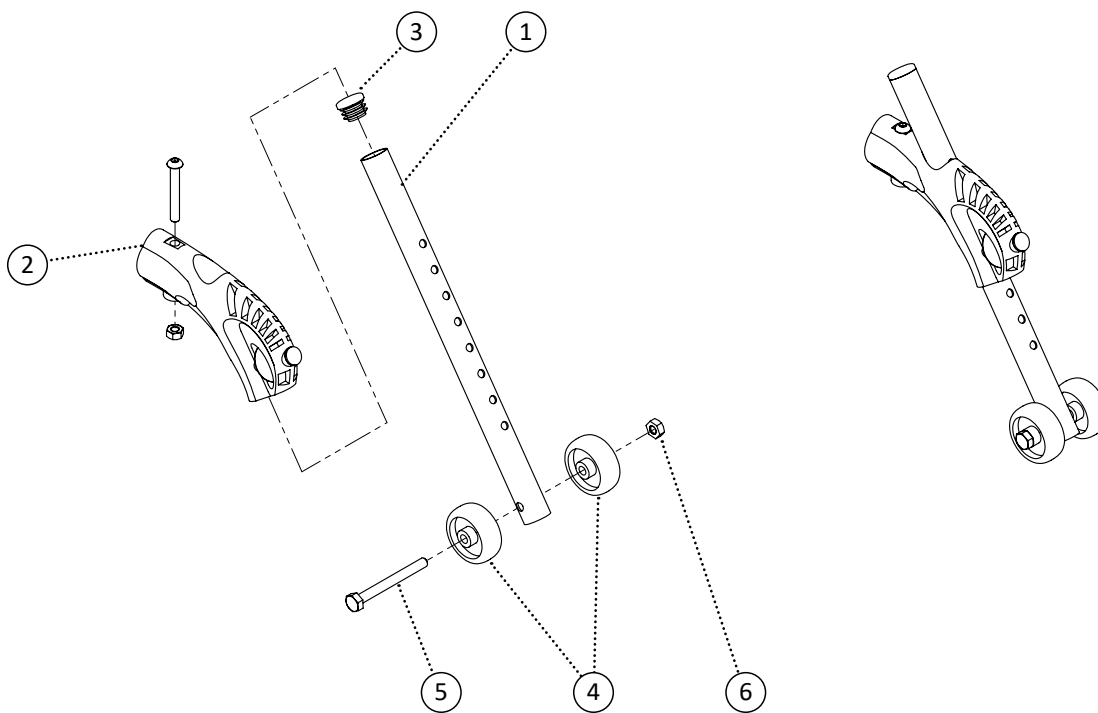


Item	REF Number	Description	Quantity	MSRP	Notes
1	548474	Cable, Cable Tilt Short Split (Low STF)	1		
1	548473	Cable, Cable Tilt Long Split (High STF)	1		
2	549409	Trigger, Tilt Trigger	1		
3	548504	Clamp, 7/8 Tube Clamp	2		
4	548503	Clamp, 1 Tube Clamp	1		
1-4	548826	Kit, STP Tilt Cable (Low STF) Complete Kit	1		
1-4	548825	Kit, STP Tilt Cable (High STF) Complete Kit	1		

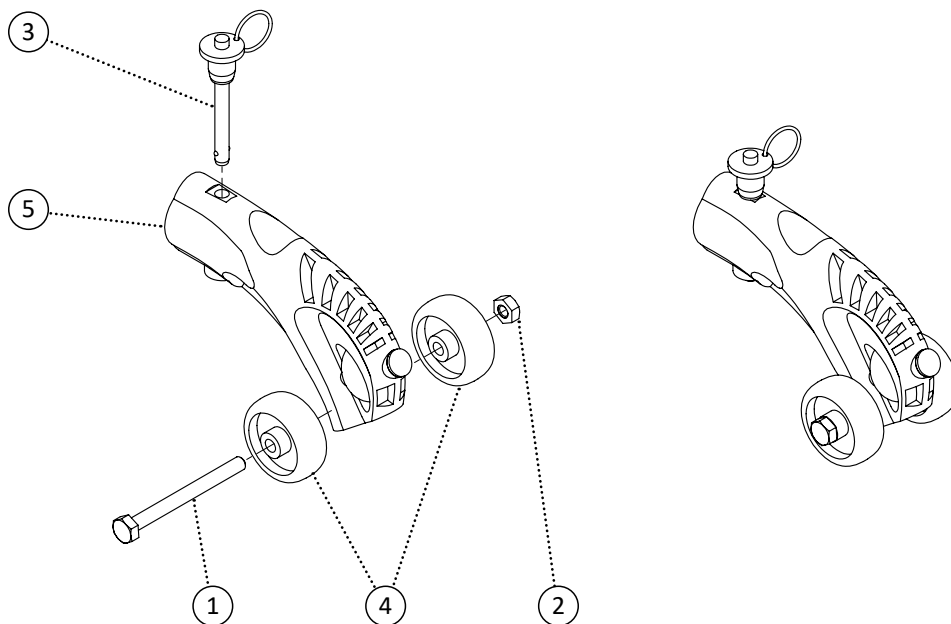


Item	REF Number	Description	Quantity	MSRP	Notes
1	550126	Screw, Hex Bolt 3/8-16 x 2	2	[1.5]	
2	550127	Washer, Flat Washer 3/8 ID. x 0.8 OD	4	[1]	
3	550132	Nut, Nylon Lock Nut 3/8-16	4	[1.75]	
4	549351	Screw, Pan Head 10-32 x 5/8	4	[1.5]	
5	548874	Nut, Nylon Lock Nut Thin 10-32	4	[1.75]	
6	550128	Cylinder, Self Tilt Actuator	1	[220]	
7	550129	Battery, Self Tilt Actuator Battery	1	REF	
8	550130	Cable, Self Tilt Actuator Battery Cable	1	[60]	
9	550131	Controller, Self Tilt Actuator Controller	1	REF	
1-9	550133	Kit, Self Tilt Actuator w/ Battery and Controller	1	REF	

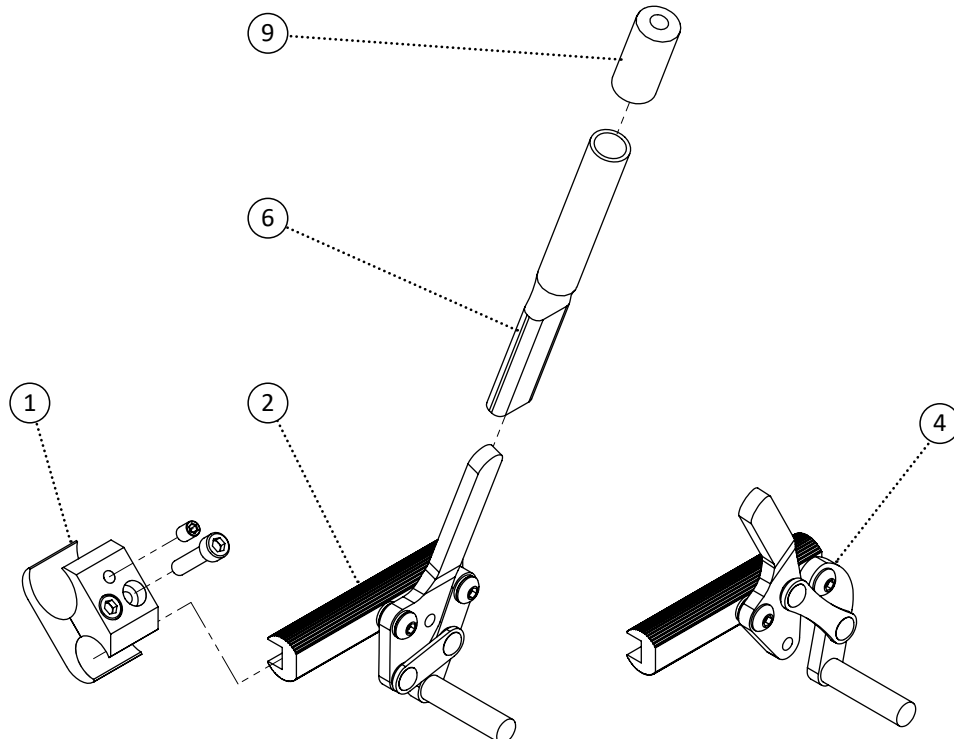




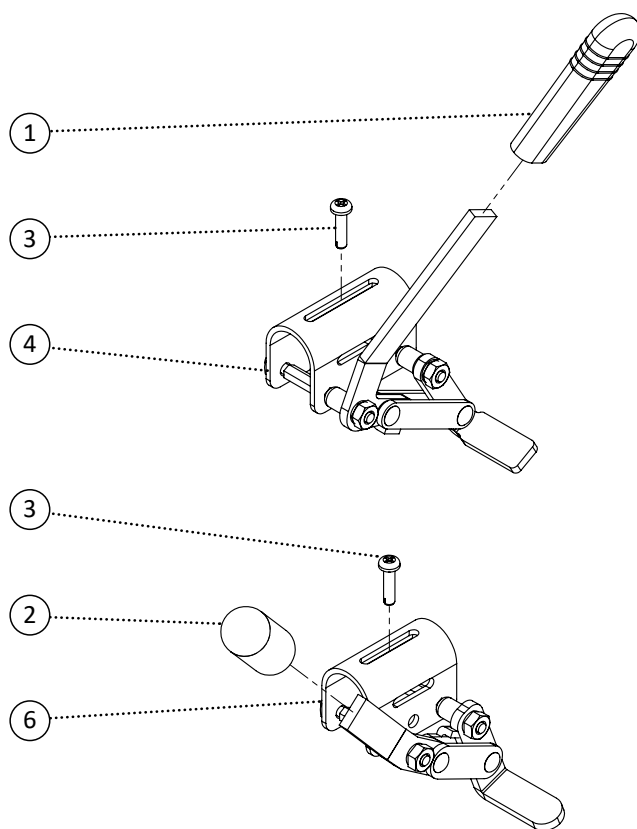
Item	REF Number	Description	Quantity	MSRP	Notes
1	548929	PPM, Anti-Tipper Extension	1		
2	548404	Block, Anti-Tipper Block	1		
3	548497	Cap, Round Plug 3/4	1		
4	549317	Roller, Anti-Tipper Roller 1-5/8	2		
5	549333	Screw, Hex Bolt 1/4-20 x 2-1/2	1		
6	548859	Nut, Nylon Lock Nut 1/4-20	1		
1-6	548552	Kit, Adjustable Anti-Tipper Complete Kit	1		



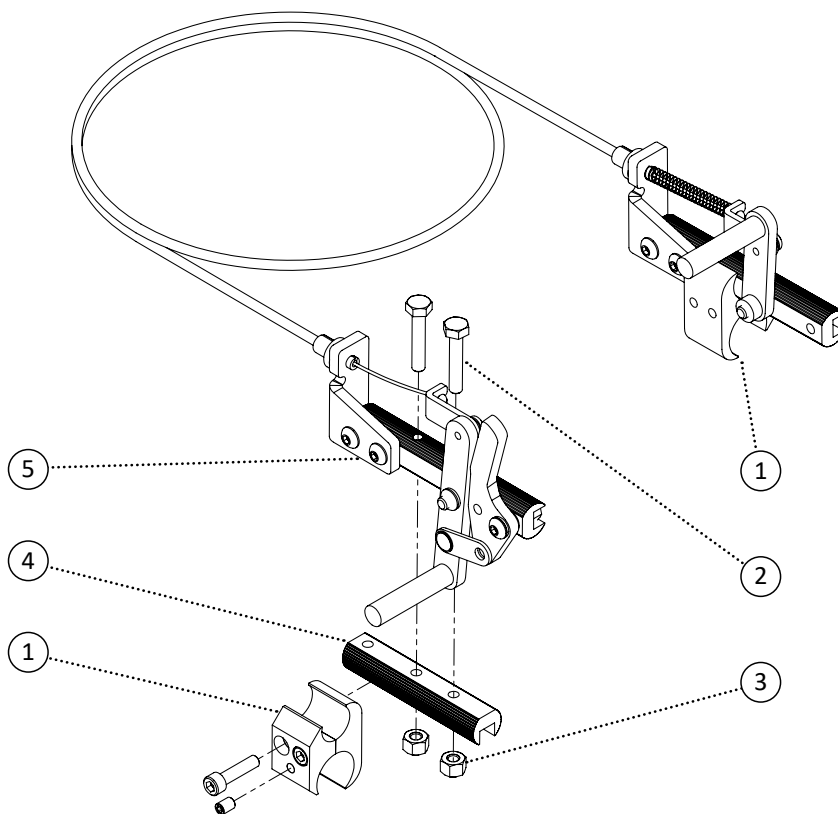
Item	REF Number	Description	Quantity	MSRP	Notes
1	549333	Screw, Hex Bolt 1/4-20 x 2-1/2	1		
2	548859	Nut, Nylon Lock Nut 1/4-20	1		
3	548883	Pin, Detachable Pin	1		
4	549317	Roller, Anti-Tipper Roller 1-5/8	2		
5	548404	Block, Anti-Tipper Block	1		
1-5	548786	Kit, Short Anti-Tipper Complete Kit	1		



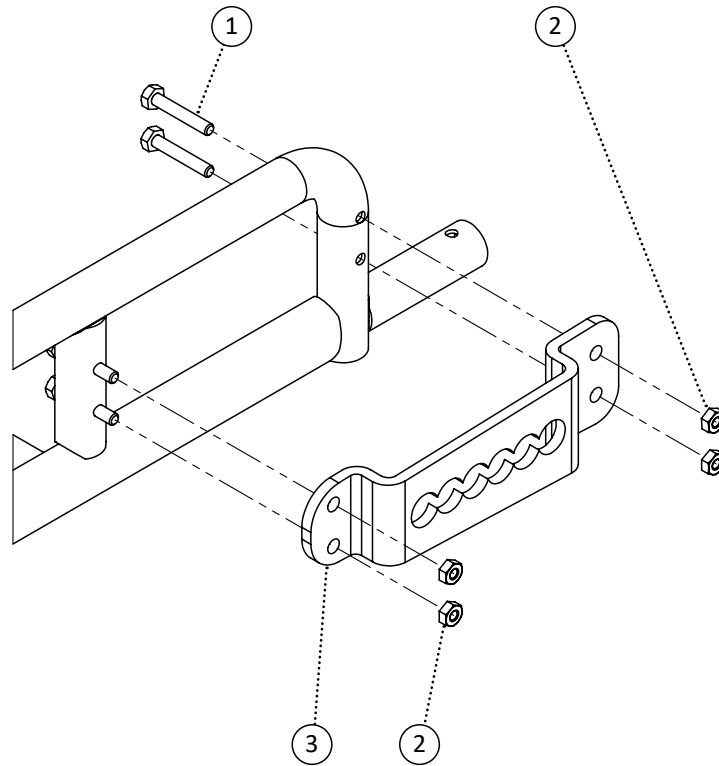
Item	REF Number	Description	Quantity	MSRP	Notes
1	548505	Clamp, Aluminum Brake Clamp	1		
2	548448	Brake, Aluminum Push Wheel Lock Left	1		
3	548449	Brake, Aluminum Push Wheel Lock Right	1		
4	548446	Brake, Aluminum Pull Wheel Lock Left	1		
5	548447	Brake, Aluminum Pull Wheel Lock Right	1		
6	548989	PPM, Brake Extension 4	1		
7	548990	PPM, Brake Extension 6	1		
8	548991	PPM, Brake Extension 9	1		
9	548487	Cap, Brake Extension Cap Red	1		
10	548485	Cap, Brake Extension Cap Blue	1		
1,7,10,2	548581	Kit, Aluminum Push Wheel Lock Left Complete Kit	1		
1,7,10,3	548582	Kit, Aluminum Push Wheel Lock Right Complete Kit	1		
1,7,10,4	548579	Kit, Aluminum Pull Wheel Lock Left Complete Kit	1		
1,7,10,5	548580	Kit, Aluminum Pull Wheel Lock Right Complete Kit	1		



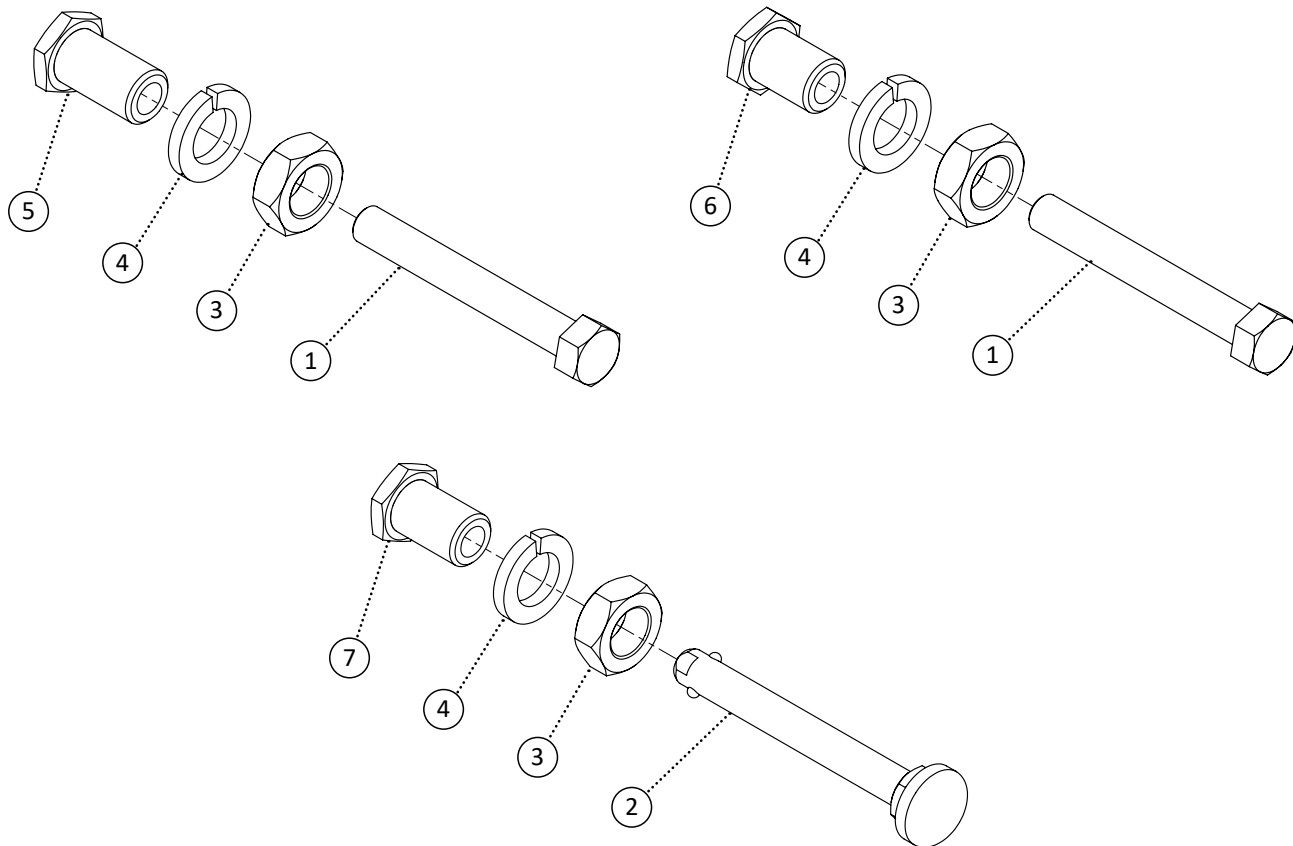
Item	REF Number	Description	Quantity	MSRP	Notes
1	548486	Cap, Brake Extension Cap Grey	1		
2	548484	Cap, Brake Extension Cap Black	1		
3	549380	Screw, Tapping M5-0.8 x 20	1		
4	548452	Brake, Steel Pull Wheel Lock Left	1		
5	548453	Brake, Steel Pull Wheel Lock Right	1		
6	548454	Brake, Steel Push Wheel Lock Left	1		
7	548455	Brake, Steel Push Wheel Lock Right	1		
1,3,4	548820	Kit, Steel Pull Wheel Lock Left Complete Kit	1		
1,3,5	548821	Kit, Steel Pull Wheel Lock Right Complete Kit	1		
1,3,6	548822	Kit, Steel Push Wheel Lock Left Complete Kit	1		
1,3,7	548823	Kit, Steel Push Wheel Lock Right Complete Kit	1		



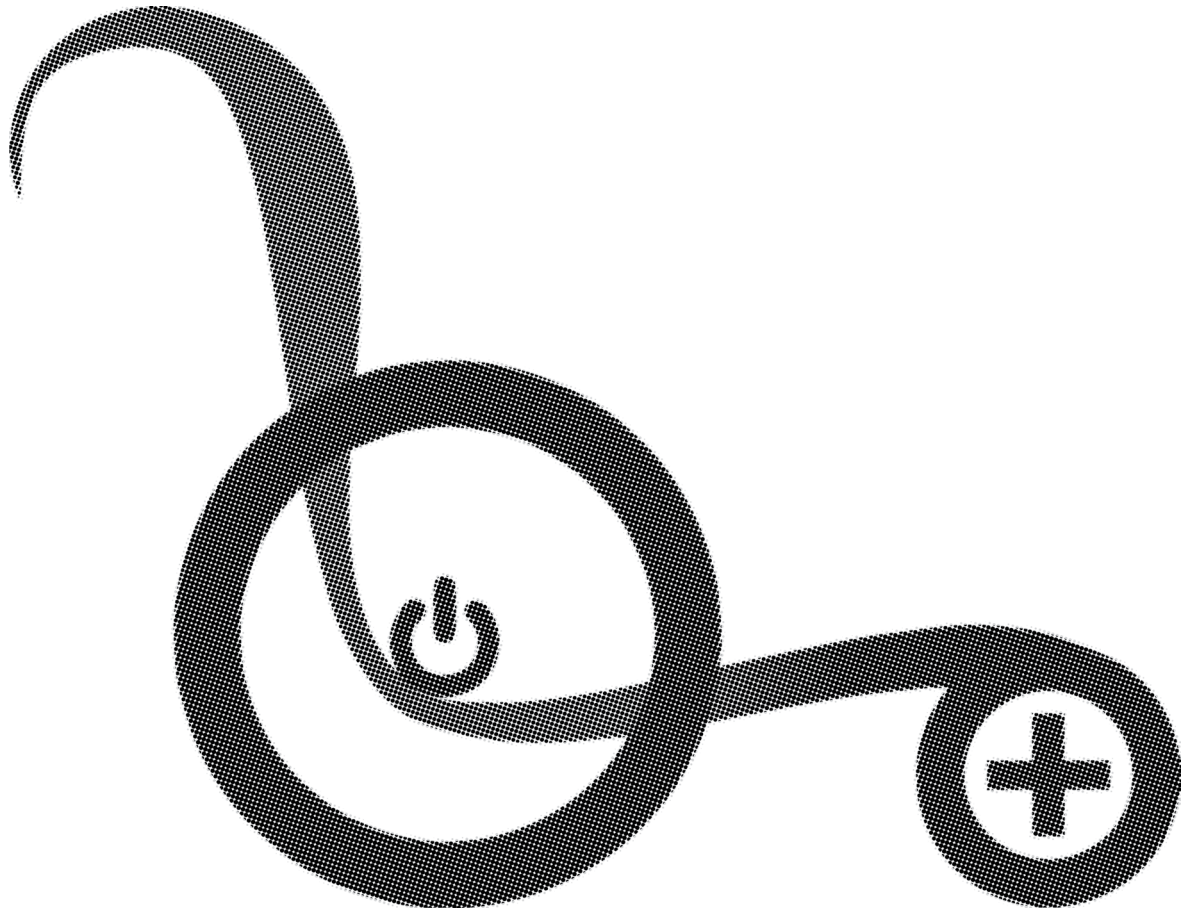
Item	REF Number	Description	Quantity	MSRP	Notes
1	548505	Clamp, Aluminum Brake Clamp	2		
2	549336	Screw, Hex Bolt 1/4-20 x 3/8	2		
3	548859	Nut, Nylon Lock Nut 1/4-20	2		
4	548450	Brake, Aluminum Wheel Lock Bracket	1		
5	549985	Brake, One Handed Brake Set Left	1		
6	549986	Brake, One Handed Brake Set Right	1		
1-4,5	549987	Kit, One Handed Brakes Tilt Left Complete Kit	1		
1-4,6	549988	Kit, One Handed Brakes Tilt Right Complete Kit	1		
1,5	549989	Kit, One Handed Brakes Folding Left Complete Kit	1		
1,6	549990	Kit, One Handed Brakes Folding Right Complete Kit	1		

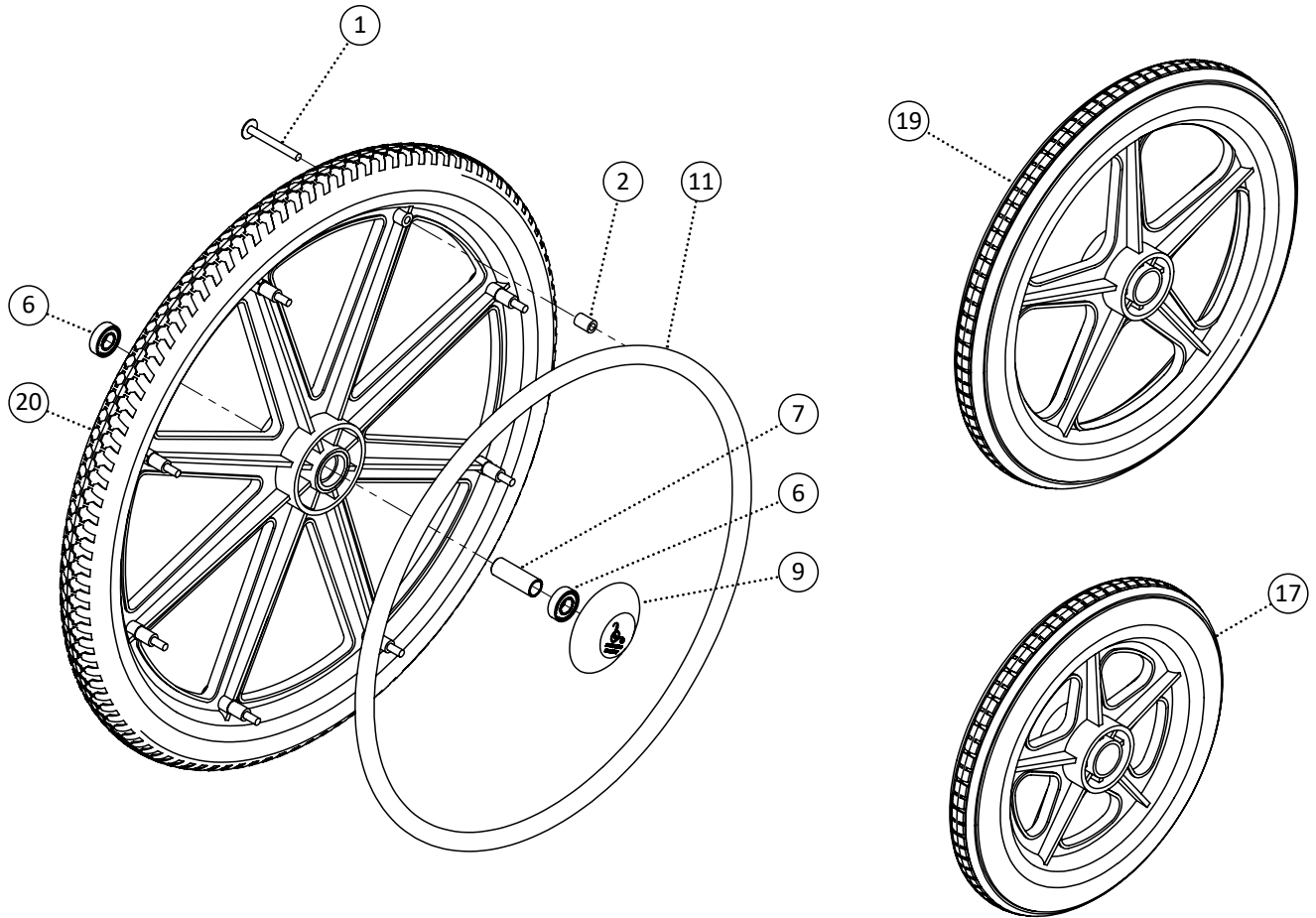


Item	REF Number	Description	Quantity	MSRP	Notes
1	549327	Screw, Hex Bolt 1/4-20 x 1-1/2	4		
2	548859	Nut, Nylon Lock Nut 1/4-20	4		
3	548893	Bracket, Recess Axle Bracket	1		
1-5	550504	Kit, NVTilt Recess Axle Plate Complete Kit	1		



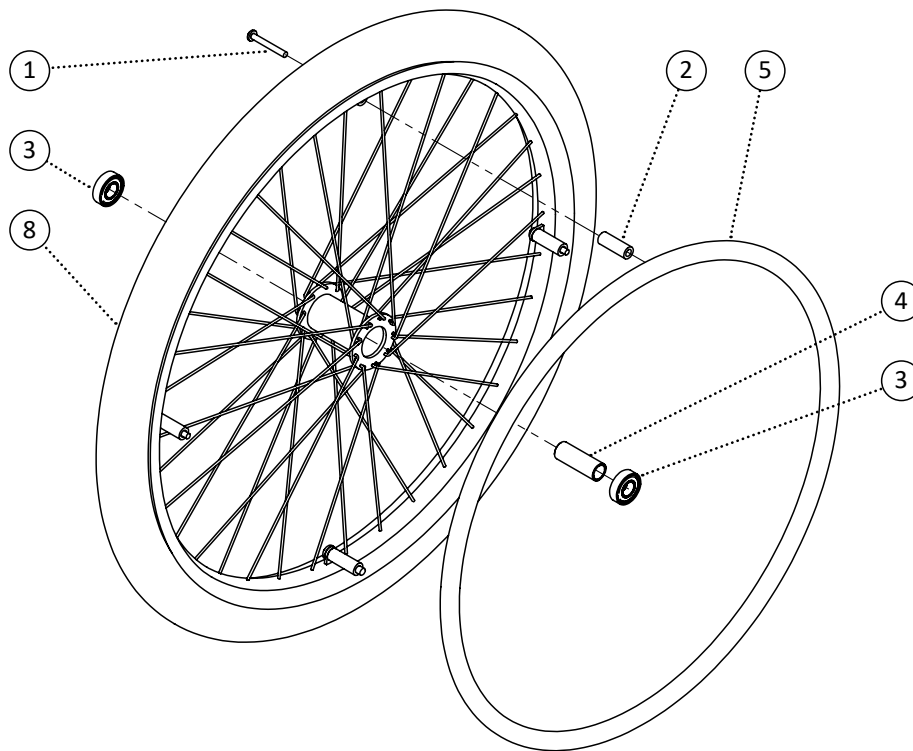
Item	REF Number	Description	Quantity	MSRP	Notes
1	548396	Axle, Bolt 1/2-20 x 3-3/4	1		
2	548397	Axle, Quick Release	1		
3	548854	Nut, Jam Nut 3/4-16	1		
4	549427	Washer, Lock Washer 3/4	1		
5	548393	Axle, Axle Receiver Bolted Long	1		
6	548394	Axle, Axle Receiver Bolted Short	1		
7	548395	Axle, Axle Receiver Quick Release	1		
1,3,4,5	548627	Kit, Axle Bolted Long	1		
1,3,4,6	548628	Kit, Axle Bolted Short	1		
2,3,4,7	548629	Kit, Axle Quick Release	1		



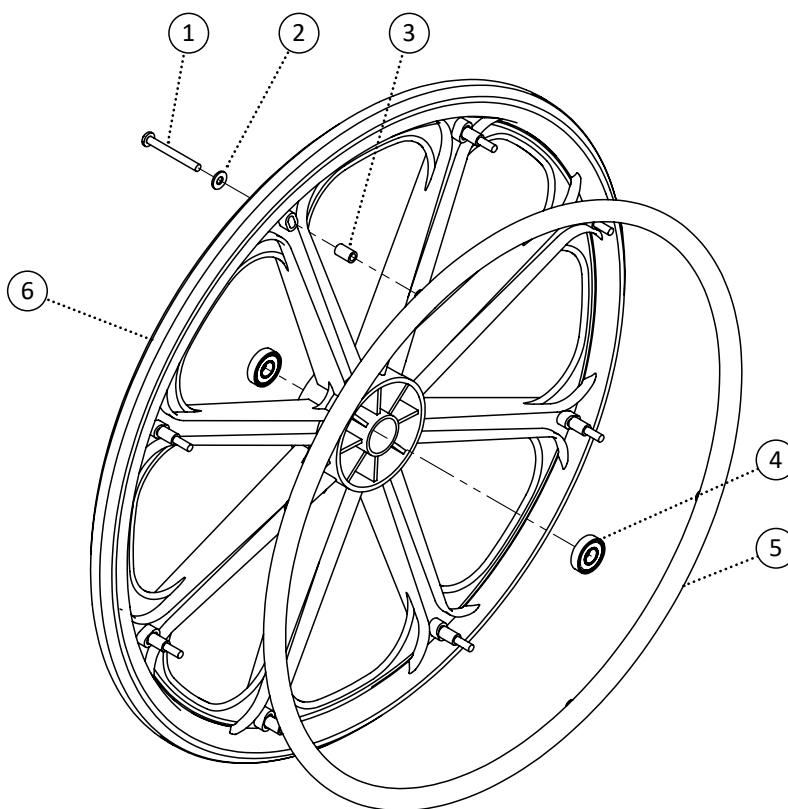


Item	REF Number	Description	Quantity	MSRP	Notes
1	549502	Screw, Pan Washer Head 1/4-20 x 2-1/4	8		
2	548467	Spacer, Nylon Spacer 1/4 ID x 7/16 OD. x .630thk	8		
3	549503	Screw, Pan Head 1/4-20 x 2	8		
4	549423	Washer, Flat Washer 1/4 ID. x 5/8 OD.	8		
5	549504	Spacer, Nylon Spacer 1/4 ID. x 7/16 OD. x .312thk	8		
6	548399	Ball Bearing, Ball Bearing 1/2	2		
7	548457	Bushing, Aluminum Wheel Bushing 1/2	1		
8	550002	Bushing, Aluminum Wheel Bushing Recessed 1/2	1		
9	549505	Cap, Wheel Hub Cap	1		
10	549506	Cap, Wheel Hub Cap Quick Release	1		
11	548547	Handrim, 20 Handrim Chrome Coated	1		
12	548550	Handrim, 22 Handrim Chrome Coated	1		
13	548553	Handrim, 24 Handrim Chrome Coated	1		
14	548548	Handrim, 20 Handrim Plastic Coated	1		
15	548551	Handrim, 22 Handrim Plastic Coated	1		
16	548554	Handrim, 24 Handrim Plastic Coated	1		
17	549507	Wheel, 12 Composite Wheel Smooth	1		
18	549508	Wheel, 12 Composite Wheel Regular	1		
19	549509	Wheel, 16 Composite Wheel Regular	1		

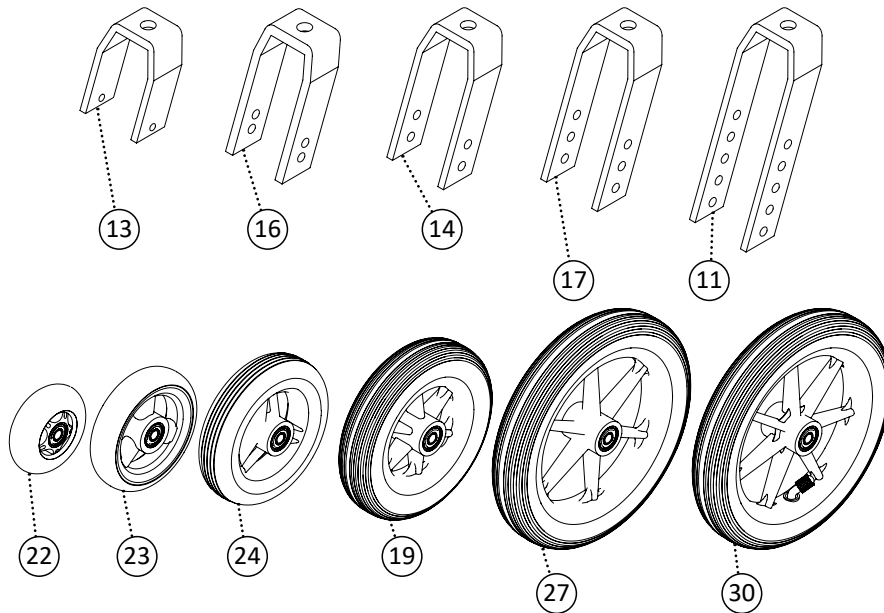
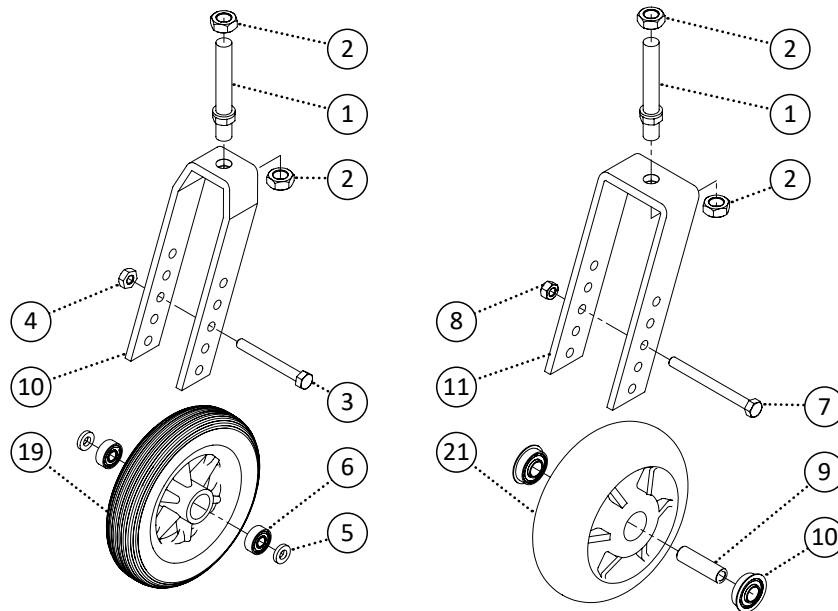
Item	REF Number	Description	Quantity	MSRP	Notes
20	549510	Wheel, 20 Composite Wheel Regular	1		
21	549511	Wheel, 22 Composite Wheel Regular	1		
22	549512	Wheel, 24 Composite Wheel Regular	1		
23	549513	Wheel, 20 Composite Wheel Pneumatic	1		
24	549514	Wheel, 22 Composite Wheel Pneumatic	1		
25	549515	Wheel, 24 Composite Wheel Pneumatic	1		
26	549999	Wheel, 20 Composite Wheel Recessed	1		
27	550000	Wheel, 22 Composite Wheel Recessed	1		
28	550001	Wheel, 24 Composite Wheel Recessed	1		
29	549516	Tire, 20 Wheel Pneumatic	1		
30	549517	Tire, 22 Wheel Pneumatic	1		
31	549518	Tire, 24 Wheel Pneumatic	1		
1,2,6,7,15	549519	Kit, 12 Composite Wheel Left Smooth Kit	1		
1,2,6,7,15	549520	Kit, 12 Composite Wheel Right Smooth Kit	1		
1,2,6,7,16	549521	Kit, 12 Composite Wheel Left Rough Kit	1		
1,2,6,7,16	549522	Kit, 12 Composite Wheel Right Rough Kit	1		
1,2,6,7,17	549523	Kit, 16 Composite Wheel Left Regular Kit	1		
1,2,6,7,17	549524	Kit, 16 Composite Wheel Right Regular Kit	1		
1,2,6,7,9,11,20	549525	Kit, 20 Composite Wheel Left Regular Kit	1		
1,2,6,7,9,11,20	549526	Kit, 20 Composite Wheel Right Regular Kit	1		
1,2,6,7,9,12,21	549527	Kit, 22 Composite Wheel Left Regular Kit	1		
1,2,6,7,9,12,21	549528	Kit, 22 Composite Wheel Right Regular Kit	1		
1,2,6,7,9,13,22	549529	Kit, 24 Composite Wheel Left Regular Kit	1		
1,2,6,7,9,13,22	549530	Kit, 24 Composite Wheel Right Regular Kit	1		
1,2,6,7,9,14,20,23	549531	Kit, 20 Composite Wheel Left Pneumatic Kit	1		
1,2,6,7,9,14,20,23	549532	Kit, 20 Composite Wheel Right Pneumatic Kit	1		
1,2,6,7,9,15,21,24	549533	Kit, 22 Composite Wheel Left Pneumatic Kit	1		
1,2,6,7,9,15,21,24	549534	Kit, 22 Composite Wheel Right Pneumatic Kit	1		
1,2,6,7,9,16,22,25	549535	Kit, 24 Composite Wheel Left Pneumatic Kit	1		
1,2,6,7,9,16,22,25	549536	Kit, 24 Composite Wheel Right Pneumatic Kit	1		
1,2,6,8,9,16,26	550003	Kit, 20 Composite Wheel Left Recessed Kit	1		
1,2,6,8,9,16,26	550004	Kit, 20 Composite Wheel Right Recessed Kit	1		
1,2,6,8,9,16,27	550005	Kit, 22 Composite Wheel Left Recessed Kit	1		
1,2,6,8,9,16,27	550006	Kit, 22 Composite Wheel Right Recessed Kit	1		
1,2,6,8,9,16,28	550007	Kit, 24 Composite Wheel Left Recessed Kit	1		
1,2,6,8,9,16,28	550008	Kit, 24 Composite Wheel Right Recessed Kit	1		



Item	REF Number	Description	Quantity	MSRP	Notes
1	549502	Screw, Pan Washer Head 1/4-20 x 2-1/4	4		
2	549537	Bushing, Aluminum Handrim Bushing 1/4 ID.	4		
3	548399	Ball Bearing, Ball Bearing 1/2	2		
4	548457	Bushing, Aluminum Wheel Bushing 1/2	1		
5	549538	Handrim, 20 Handrim Aluminum Coated	1		
6	549539	Handrim, 22 Handrim Aluminum Coated	1		
7	549540	Handrim, 24 Handrim Aluminum Coated	1		
8	549541	Wheel, 20 Spoke Wheel Regular	1		
9	549542	Wheel, 22 Spoke Wheel Regular	1		
10	549543	Wheel, 24 Spoke Wheel Regular	1		
1-4,5,8	549544	Kit, 20 Spoke Wheel Left Regular Kit	1		
1-4,5,8	549545	Kit, 20 Spoke Wheel Right Regular Kit	1		
1-4,6,9	549546	Kit, 22 Spoke Wheel Left Regular Kit	1		
1-4,6,9	549547	Kit, 22 Spoke Wheel Right Regular Kit	1		
1-4,7,10	549548	Kit, 24 Spoke Wheel Left Regular Kit	1		
1-4,7,10	549549	Kit, 24 Spoke Wheel Right Regular Kit	1		

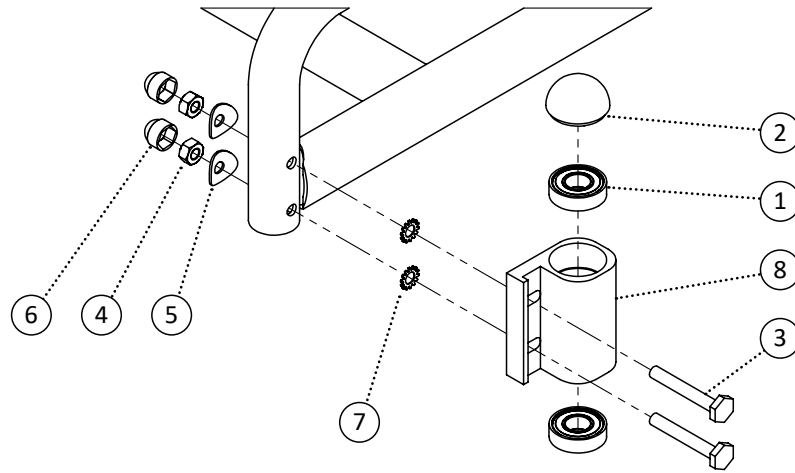


Item	REF Number	Description	Quantity	MSRP	Notes
1	549350	Screw, Pan Head 1/4-20 x 2-1/4	8		
2	549423	Washer, Flat Washer 1/4 ID. x 5/8 OD.	8		
3	549550	Spacer, 1/4 ID. x 3/8 OD. x .630thk	8		
4	548399	Ball Bearing, Ball Bearing 1/2	2		
5	549551	Handrim, 24 Handrim Heavy Duty	1		
6	549552	Wheel, 24 Composite Wheel Heavy Duty	1		
1-6	549553	Kit, 24 Composite Wheel Heavy Duty Left Kit	1		
1-6	549554	Kit, 24 Composite Wheel Heavy Duty Right Kit	1		

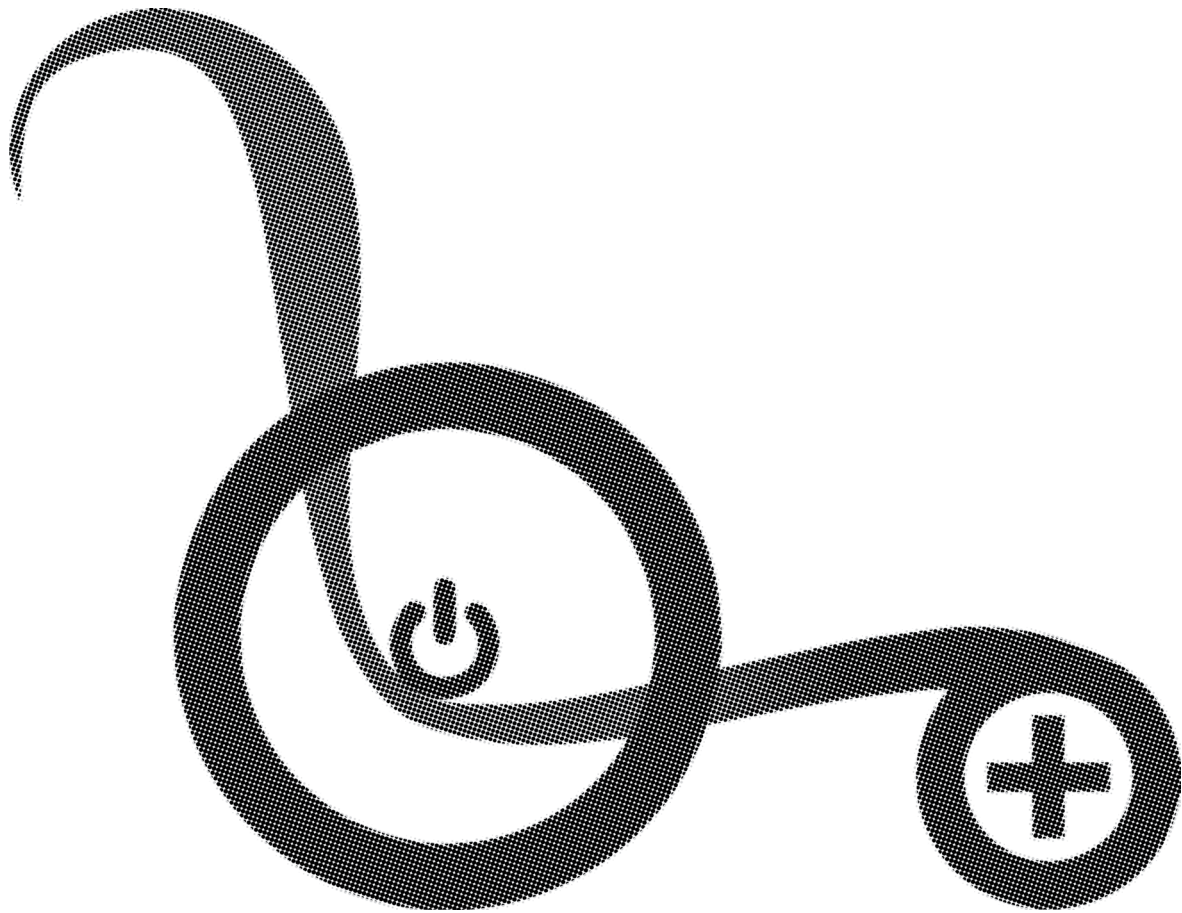


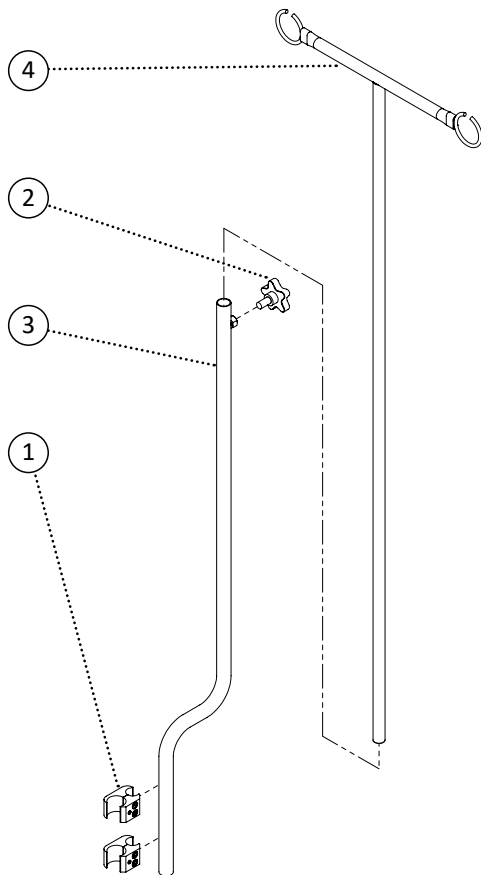
Item	REF Number	Description	Quantity	MSRP	Notes
1	549322	Screw, Double Sided Screw 1/2-20 x 3-5/8	1		
2	548857	Nut, Lock Nut 1/2-20	1		
3	549342	Screw, Hex Bolt 5/16-18 x 2-3/4	1		
4	548875	Nut, Nylon Lock Nut Thin 5/16-18	1		
5	549389	Spacer, Nylon Spacer 5/16 ID. x .6 OD x .12thk (wht)	2		
6	548401	Ball Bearing, Caster Wheel	2		
7	549343	Screw, Hex Bolt 5/16-18 x 3-1/2	1		
8	548862	Nut, Nylon Lock Nut 5/16-18	1		
9	548466	Bushing, Heavy Duty Caster Bushing	1		
10	548402	Ball Bearing, Caster Wheel Heavy Duty	2		

Item	REF Number	Description	Quantity	MSRP	Notes
11	548425	Bracket, Caster Fork 5-Hole Aluminum	1		
12	548426	Bracket, Caster Fork 5-Hole Steel	1		
13	548419	Bracket, Caster Fork 1-Hole Short	1		
14	548420	Bracket, Caster Fork 2-Hole Aluminum	1		
15	548422	Bracket, Caster Fork 2-Hole Steel	1		
16	548421	Bracket, Caster Fork 2-Hole Narrow Aluminum	1		
17	548423	Bracket, Caster Fork 3-Hole Aluminum	1		
18	548424	Bracket, Caster Fork 3-Hole Steel	1		
19	549476	Wheel, 6 x 1.25 Caster	1		
20	549477	Wheel, 6 x 1.75 Caster	1		
21	549478	Wheel, 6 x 2 Caster	1		
22	549471	Wheel, 3 Caster	1		
23	549472	Wheel, 4 Caster	1		
24	549473	Wheel, 5 x 1.25 Caster	1		
25	549474	Wheel, 5 x 1.75 Caster	1		
26	549475	Wheel, 5 x 2 Caster	1		
27	549480	Wheel, 8 x 1.25 Caster Polyurethane	1		
28	549481	Wheel, 8 x 1.75 Caster Polyurethane	1		
29	549482	Wheel, 8 x 2 Caster Polyurethane	1		
30	549479	Wheel, 8 x 1.25 Caster Pneumatic	1		
1-4,11	548689	Kit, Caster Fork 5-Hole Aluminum Complete	1		
1,2,7,8,12	548690	Kit, Caster Fork 5-Hole Steel Complete	1		
1-4,13	548683	Kit, Caster Fork 1-Hole Short Complete	1		
1-4,14	548684	Kit, Caster Fork 2-Hole Aluminum Complete	1		
1,2,7,8,15	548686	Kit, Caster Fork 2-Hole Steel Complete	1		
1-4,16	548685	Kit, Caster Fork 2-Hole Narrow Aluminum Complete	1		
1-4,17	548687	Kit, Caster Fork 3-Hole Aluminum Complete	1		
1,2,7,8,18	548688	Kit, Caster Fork 3-Hole Steel Complete	1		
3-6,19	548571	Kit, 6 x 1.25 Caster Complete	1		
3-6,20	548572	Kit, 6 x 1.75 Caster Complete	1		
7-10,21	548573	Kit, 6 x 2 Caster Complete	1		
3-6,22	548566	Kit, 3 Caster Complete	1		
3-6,23	548567	Kit, 4 Caster Complete	1		
3-6,24	548568	Kit, 5 x 1.25 Caster Complete	1		
3-6,25	548569	Kit, 5 x 1.75 Caster Complete	1		
7-10,26	548570	Kit, 5 x 2 Caster Complete	1		
3-6,27	548575	Kit, 8 x 1.25 Caster Polyurethane Complete	1		
3-6,28	548576	Kit, 8 x 1.75 Caster Polyurethane Complete	1		
7-10,29	548577	Kit, 8 x 2 Caster Polyurethane Complete	1		
3-6,30	548574	Kit, 8 x 1.25 Caster Pneumatic Complete	1		

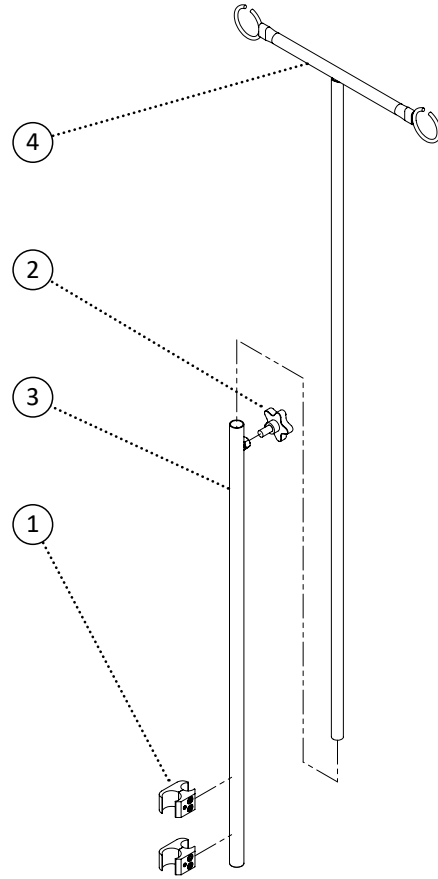


Item	REF Number	Description	Quantity	MSRP	Notes
1	548400	Ball Bearing, Caster Mount	2		
2	548490	Cap, Caster Mount Cap	1		
3	549346	Screw, Offset Bolt 1/4-28 x 1-3/4	2		
4	548861	Nut, Nylon Lock Nut 1/4-28	2		
5	549416	Washer, Curved Washer 1/4 ID. x 3/4 OD. x .04thk	2		
6	548480	Cap, 1/4 Nut Cap	2		
7	549417	Washer, External Tooth Lock 1/4	2		
8	548427	Bracket, Caster Mount	1		
1-8	549555	Kit, Caster Journal Housing Complete (Tilt Chair)	1		

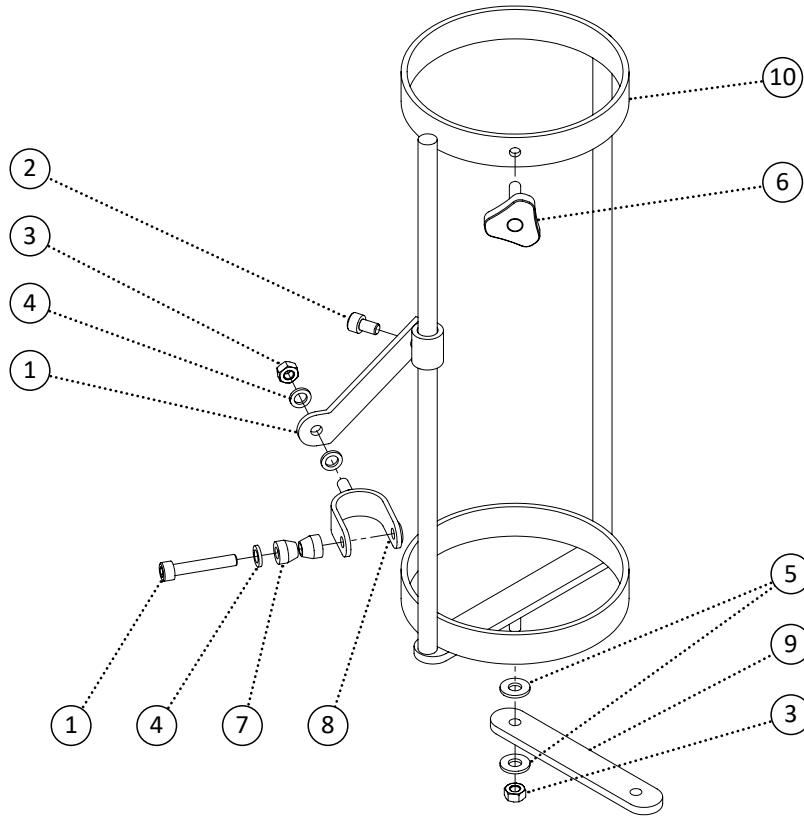




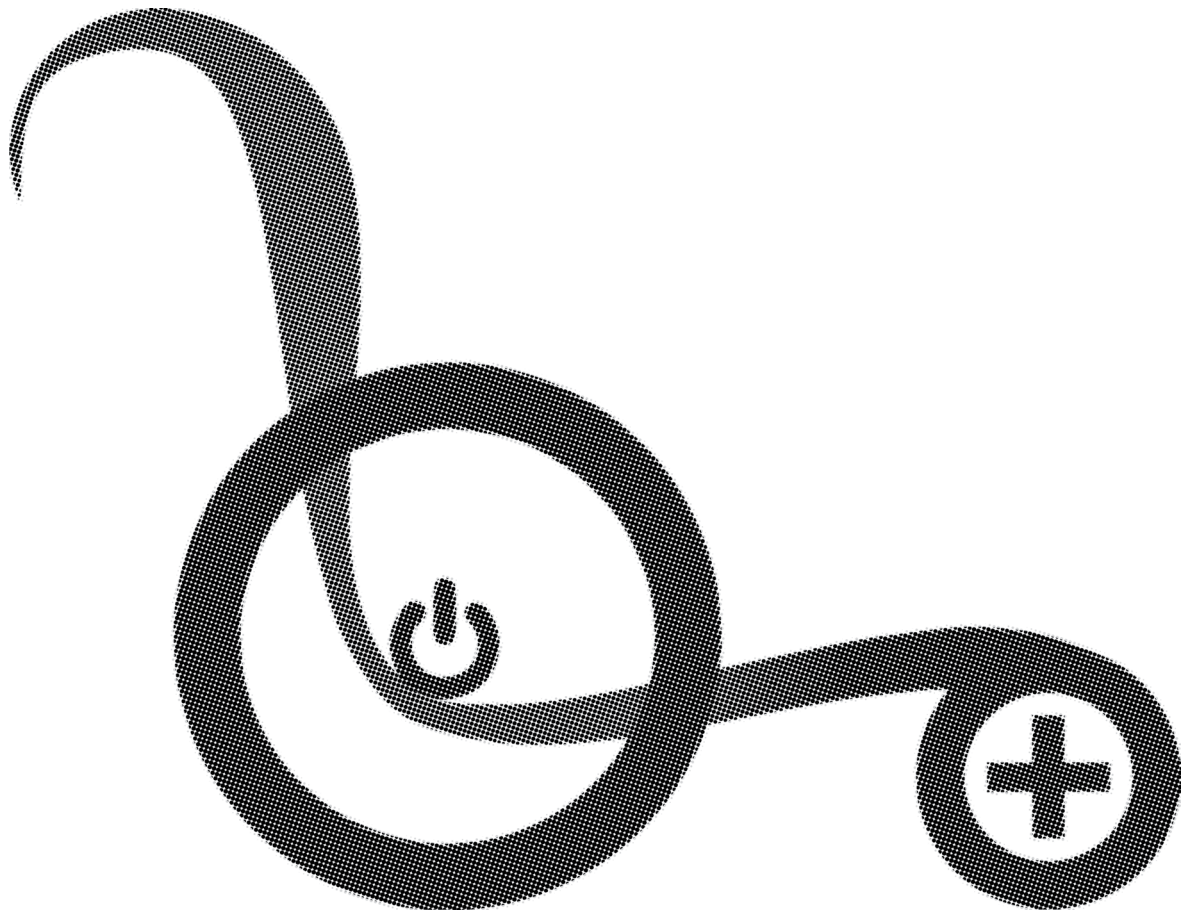
Item	REF Number	Description	Quantity	MSRP	Notes
1	548505	Clamp, Aluminum Brake Clamp	2		
2	548842	Knob, 5-Prong 3/8-16 x 3/4	1		
3	549107	PPM, I.V. Pole Offset Receiver	1		
4	549106	PPM, I.V. Pole Extension	1		
1-4	548742	Kit, I.V. Pole Offset Complete	1		

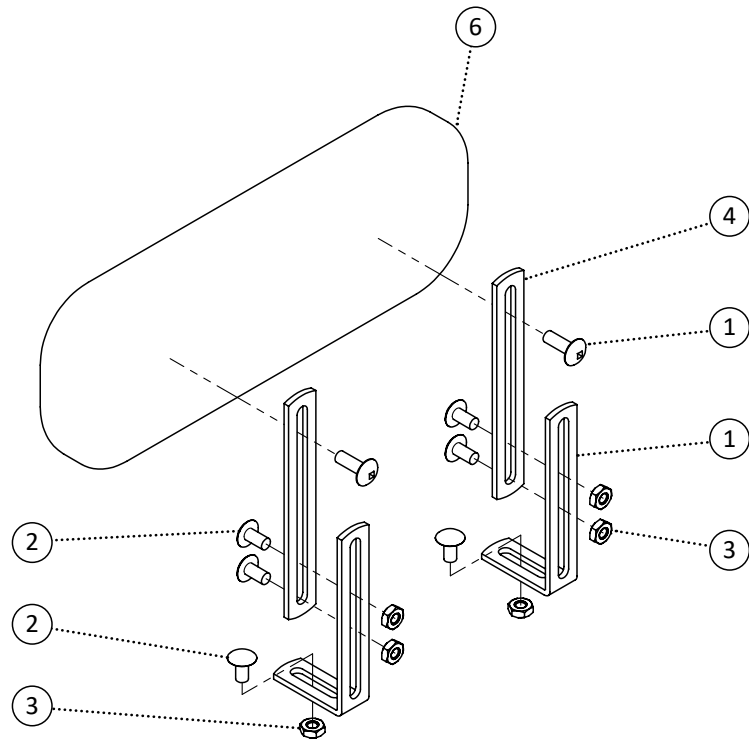


Item	REF Number	Description	Quantity	MSRP	Notes
1	548505	Clamp, Aluminum Brake Clamp	2		
2	548842	Knob, 5-Prong 3/8-16 x 3/4	1		
3	549108	PPM, I.V. Straight Pole Receiver	1		
4	549106	PPM, I.V. Pole Extension	1		
1-4	548743	Kit, I.V. Pole Straight Complete	1		

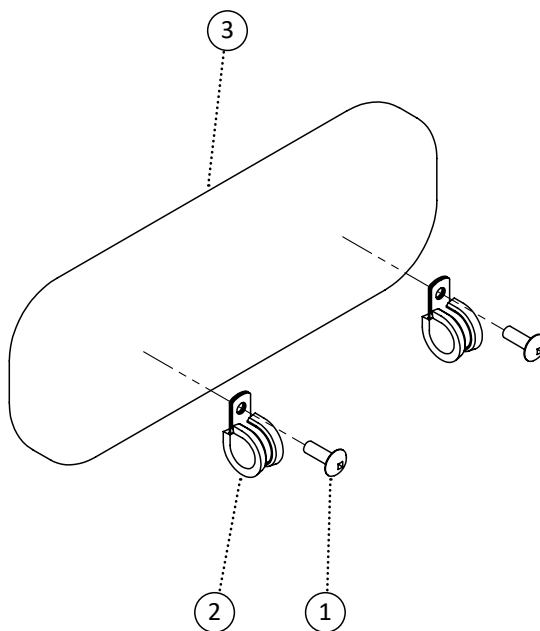


Item	REF Number	Description	Quantity	MSRP	Notes
1	549377	Screw, Socket Head M6-1.0 x 35	1		
2	549376	Screw, Socket Head M6-1.0 x 10	1		
3	548866	Nut, Nylon Lock Nut M6-1.0	2		
4	549420	Washer, Flat Washer 1/4 ID. x .4 OD.	3		
5	549419	Washer, Flat Washer 1/2 ID. x 5/8 OD.	2		
6	548846	Knob, Tristar M6-1.0 x 16.5	1		
7	549384	Spacer, 1/4 ID. Chamfer	2		
8	548509	Clamp, Oxygen Tank U-Clamp	1		
9	548438	Bracket, Oxygen Tank Base (STP)	1		
10	548437	Bracket, Oxygen Tank	1		
1-10	548756	Kit, Oxygen Tank Complete	1		

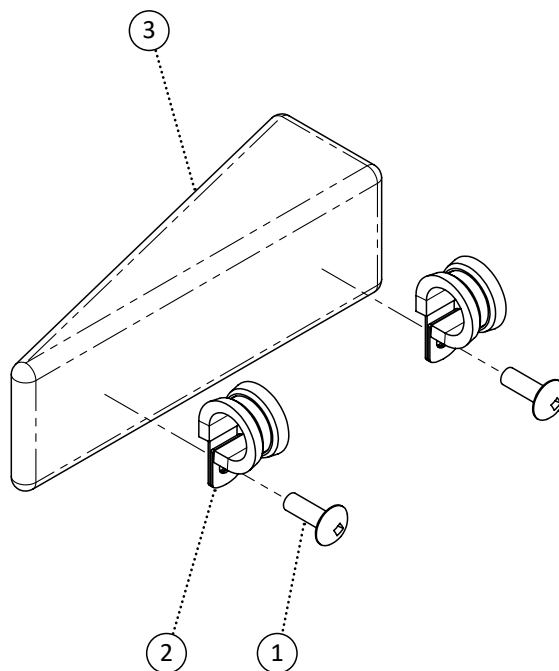




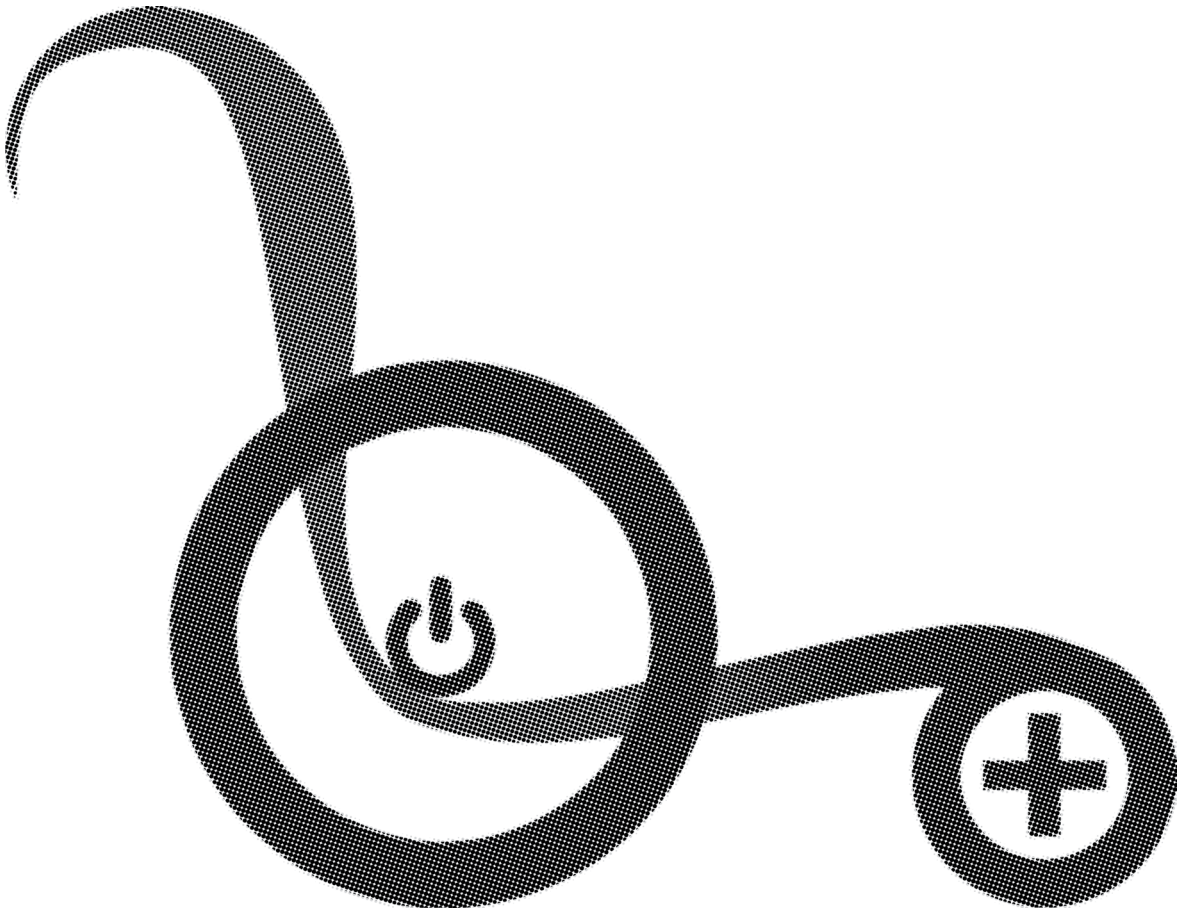
Item	REF Number	Description	Quantity	MSRP	Notes
1	549382	Screw, Truss Head 1/4-20 x 3/4	2		
2	549682	Screw, Round Head 1/4-20 x 1/2	6		
3	549683	Nut, Serrated Flange Nut 1/4-20	6		
4	549684	Bracket, Adductor Extension	2		
5	549685	Bracket, Adductor L Extension	2		
6	549686	PPM, Adductor Pad 8 x 4	1		
7	549687	PPM, Adductor Pad 10 x 4	1		
8	549688	PPM, Adductor Pad 12 x 4	1		
9	549689	PPM, Adductor Pad 14 x 4	1		
1-5,6	549690	Kit, Adductor Pad 8 x 4 Complete	1		
1-5,7	549691	Kit, Adductor Pad 10 x 4 Complete	1		
1-5,8	549692	Kit, Adductor Pad 12 x 4 Complete	1		
1-5,9	549693	Kit, Adductor Pad 14 x 4 Complete	1		

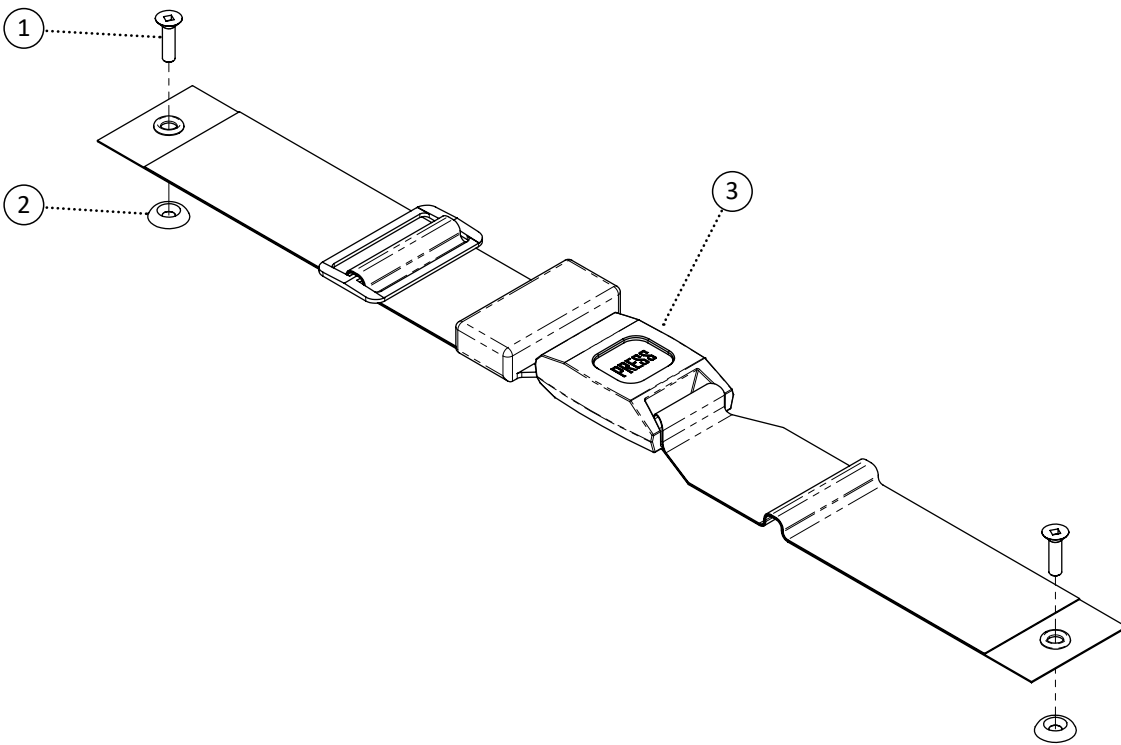


Item	REF Number	Description	Quantity	MSRP	Notes
1	549382	Screw, Truss Head 1/4-20 x 3/4	2		
2	549694	Clamp, P-Clip	2		
3	549686	PPM, Adductor Pad 8 x 4	1		
4	549687	PPM, Adductor Pad 10 x 4	1		
5	549688	PPM, Adductor Pad 12 x 4	1		
6	549689	PPM, Adductor Pad 14 x 4	1		
1-2,3	549690	Kit, Adductor Pad 8 x 4 Complete	1		
1-2,4	549691	Kit, Adductor Pad 10 x 4 Complete	1		
1-2,5	549692	Kit, Adductor Pad 12 x 4 Complete	1		
1-2,6	549693	Kit, Adductor Pad 14 x 4 Complete	1		



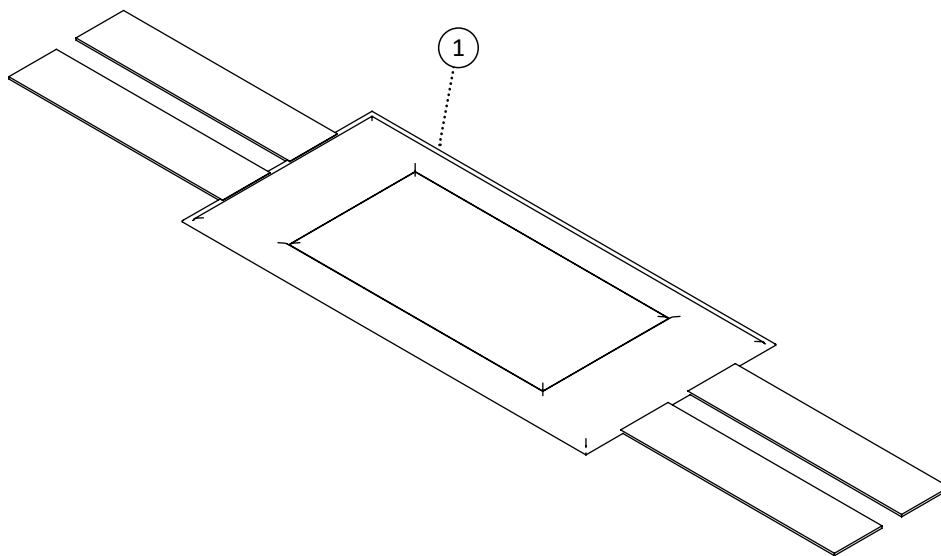
Item	REF Number	Description	Quantity	MSRP	Notes
1	549382	Screw, Truss Head 1/4-20 x 3/4	2		
2	549694	Clamp, P-Clip	2		
3	549934	PPM, Adductor Wedge Pad 8 x 4	1		
4	549935	PPM, Adductor Wedge Pad 10 x 4	1		
5	549936	PPM, Adductor Wedge Pad 12 x 4	1		
6	549937	PPM, Adductor Wedge Pad 14 x 4	1		
1,2,3	549938	Kit, Adductor Wedge Pad 8 x 4 Complete	1		
1,2,4	549939	Kit, Adductor Wedge Pad 10 x 4 Complete	1		
1,2,5	549940	Kit, Adductor Wedge Pad 12 x 4 Complete	1		
1,2,6	549941	Kit, Adductor Wedge Pad 14 x 4 Complete	1		



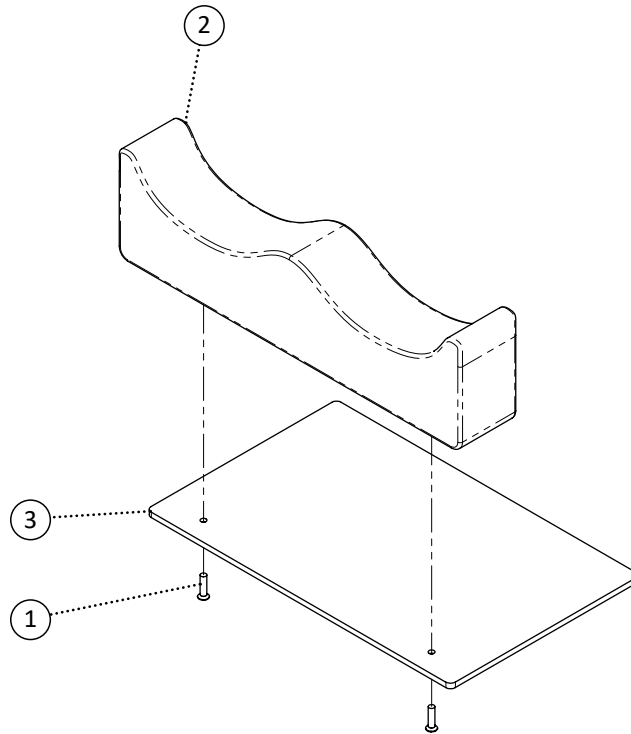


Item	REF Number	Description	Quantity	MSRP	Notes
1	549324	Screw, Flat Head 10-32 x 3/4	2		
2	549623	Washer, Cup Washer 10	2		
3	549830	Belt, 2 Point Auto-Style 16	1		
4	549831	Belt, 2 Point Auto-Style 18	1		
5	549832	Belt, 2 Point Auto-Style 20	1		
6	549833	Belt, 2 Point Auto-Style 22	1		
7	549834	Belt, 2 Point Auto-Style 24	1		
8	549835	Belt, 2 Point Auto-Style 26	1		
9	549836	Belt, 2 Point Auto-Style 28	1		
10	549837	Belt, 2 Point Auto-Style 30	1		
11	549838	Belt, 2 Point Auto-Style Padded 16	1		
12	549839	Belt, 2 Point Auto-Style Padded 18	1		
13	549840	Belt, 2 Point Auto-Style Padded 20	1		
14	549841	Belt, 2 Point Auto-Style Padded 22	1		
15	549842	Belt, 2 Point Auto-Style Padded 24	1		
16	549843	Belt, 2 Point Auto-Style Padded 26	1		
17	549844	Belt, 2 Point Auto-Style Padded 28	1		
18	549845	Belt, 2 Point Auto-Style Padded 30	1		
19	549846	Belt, 4 Point Auto-Style 16	1		

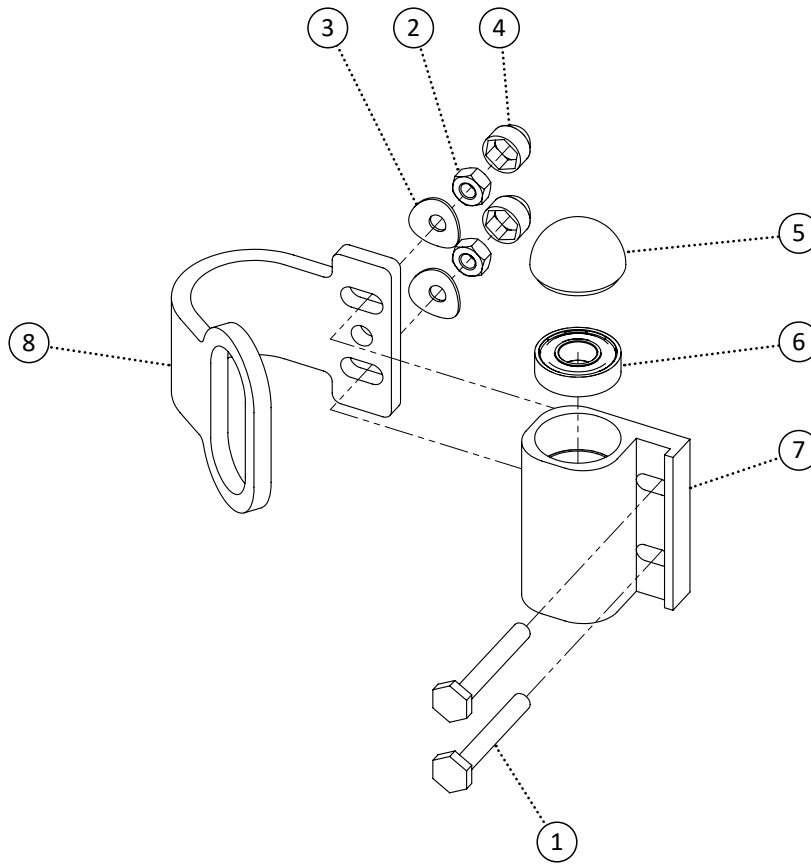
Item	REF Number	Description	Quantity	MSRP	Notes
20	549847	Belt, 4 Point Auto-Style 18	1		
21	549848	Belt, 4 Point Auto-Style 20	1		
22	549849	Belt, 4 Point Auto-Style 22	1		
23	549850	Belt, 4 Point Auto-Style 24	1		
24	549851	Belt, 4 Point Auto-Style 26	1		
25	549852	Belt, 4 Point Auto-Style 28	1		
26	549853	Belt, 4 Point Auto-Style 30	1		
27	549854	Belt, 4 Point Auto-Style Padded 16	1		
28	549855	Belt, 4 Point Auto-Style Padded 18	1		
29	549856	Belt, 4 Point Auto-Style Padded 20	1		
30	549857	Belt, 4 Point Auto-Style Padded 22	1		
31	549858	Belt, 4 Point Auto-Style Padded 24	1		
32	549859	Belt, 4 Point Auto-Style Padded 26	1		
33	549860	Belt, 4 Point Auto-Style Padded 28	1		
34	549861	Belt, 4 Point Auto-Style Padded 30	1		



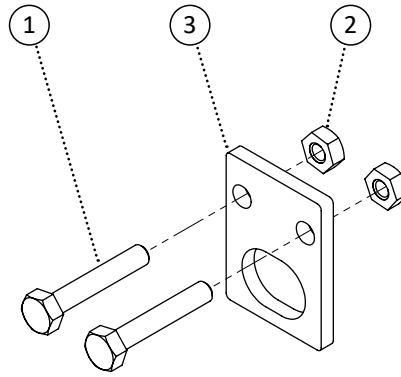
Item	REF Number	Description	Quantity	MSRP	Notes
1	549862	Strap, Nylon Leg Strap 16	1		
2	549863	Strap, Nylon Leg Strap 18	1		
3	549864	Strap, Nylon Leg Strap 20	1		
4	549865	Strap, Nylon Leg Strap 22	1		
5	549866	Strap, Nylon Leg Strap 24	1		
6	549867	Strap, Nylon Leg Strap 26	1		
7	549868	Strap, Nylon Leg Strap 28	1		
8	549869	Strap, Nylon Leg Strap 30	1		



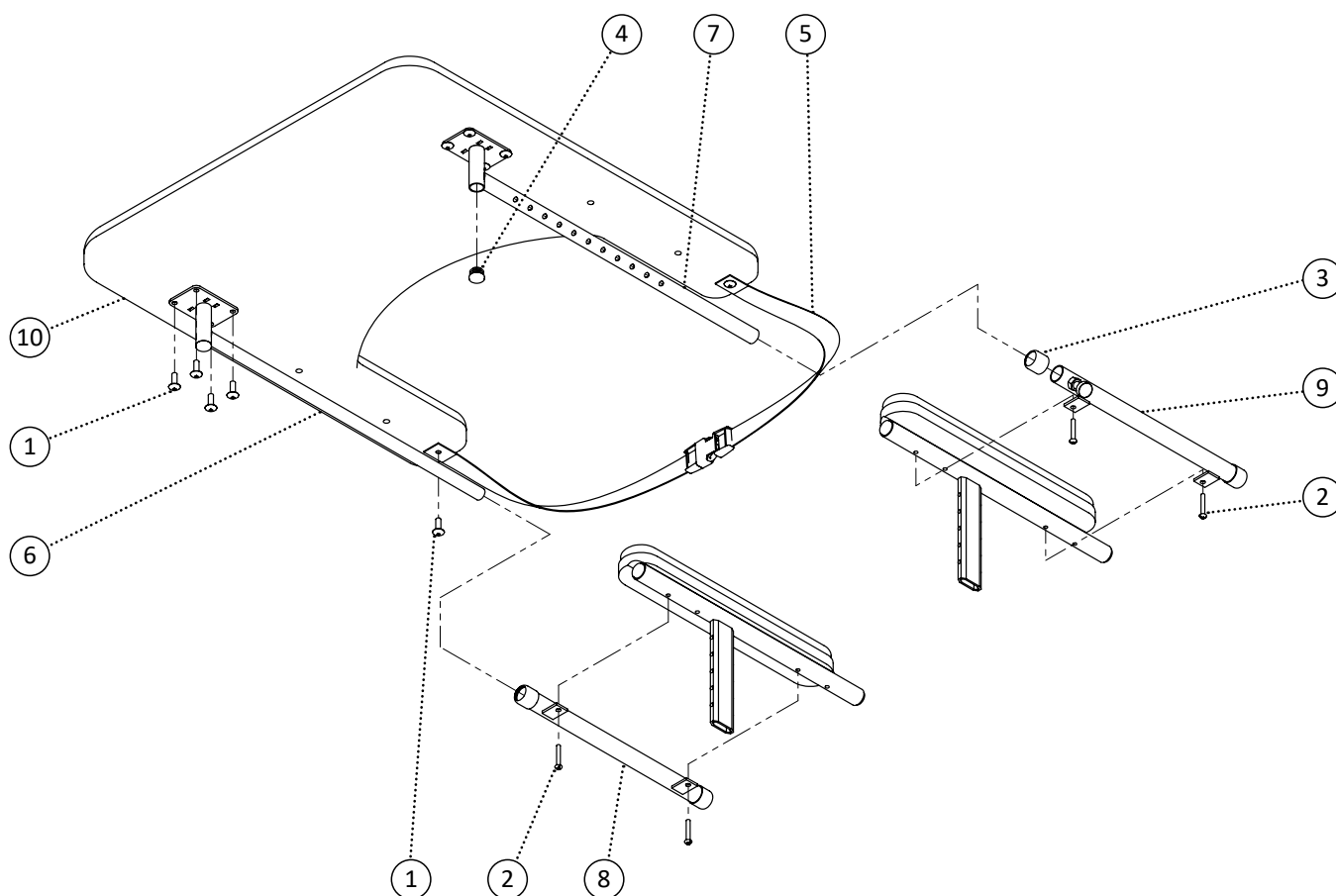
Item	REF Number	Description	Quantity	MSRP	Notes
1	549326	Screw, Hex Bolt 1/4-20 x 1	2		
2		See Form for Leg Channels	1		
3	549695	PPM, ABS Seat Pan Adductor 16 no Velcro	1		
4	549696	PPM, ABS Seat Pan Adductor 18 no Velcro	1		
5	549697	PPM, ABS Seat Pan Adductor 20 no Velcro	1		
6	549698	PPM, ABS Seat Pan Adductor 16 with Velcro	1		
7	549699	PPM, ABS Seat Pan Adductor 18 with Velcro	1		
8	549700	PPM, ABS Seat Pan Adductor 20 with Velcro	1		



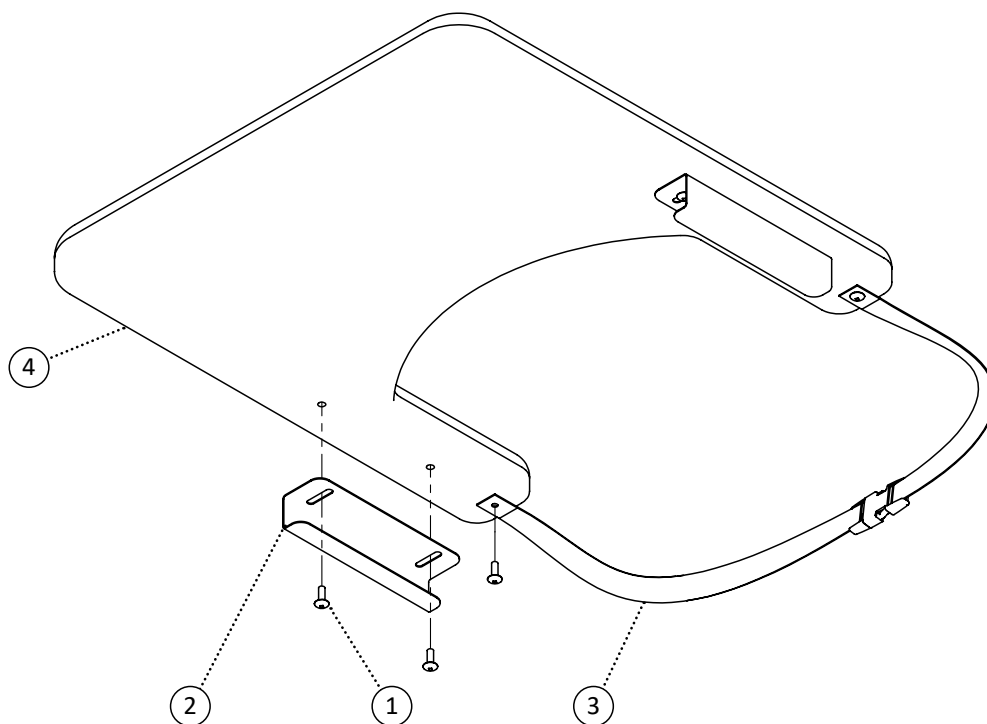
Item	REF Number	Description	Quantity	MSRP	Notes
1	549347	Screw, Offset Bolt 1/4-28 x 2	2		
2	548861	Nut, Nylon Lock Nut 1/4-28	2		
3	549416	Washer, Curved Washer 1/4 ID. x 3/4 OD. x .04thk	2		
4	548480	Cap, 1/4 Nut Cap	2		
5	548490	Cap, Caster Mount Cap	1		
6	548400	Ball Bearing, Caster Mount	2		
7	548427	Bracket, Caster Mount	1		
8	549947	Bracket, Front Tie Down	1		
1-8	549948	Kit, Tilt Chair Front Tie Down Complete	1		



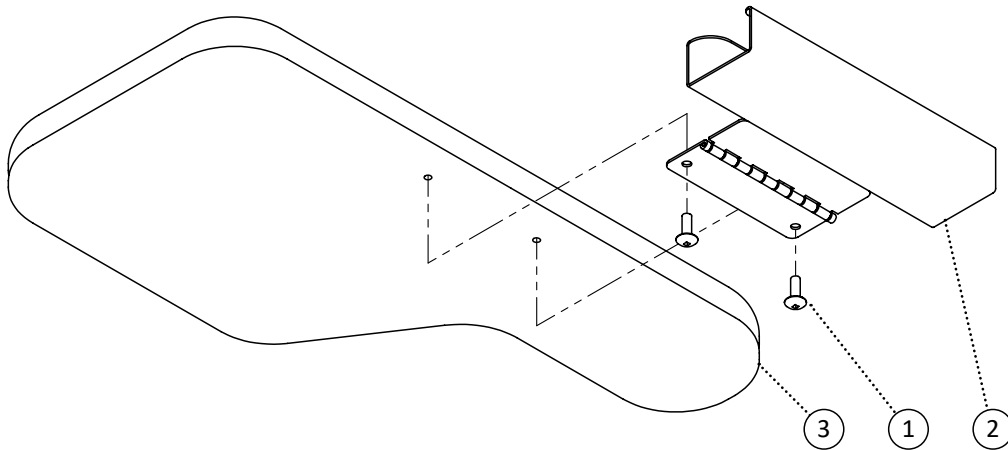
Item	REF Number	Description	Quantity	MSRP	Notes
1	549327	Screw, Hex Bolt 1/4-20 x 1-1/2	2		
2	548870	Nut, Nylon Lock Nut Thin 1/4-20	2		
3	549942	Bracket, Rear Tie Down	1		
1-3	549946	Kit, Tilt Chair Rear Tie Down Complete	1		



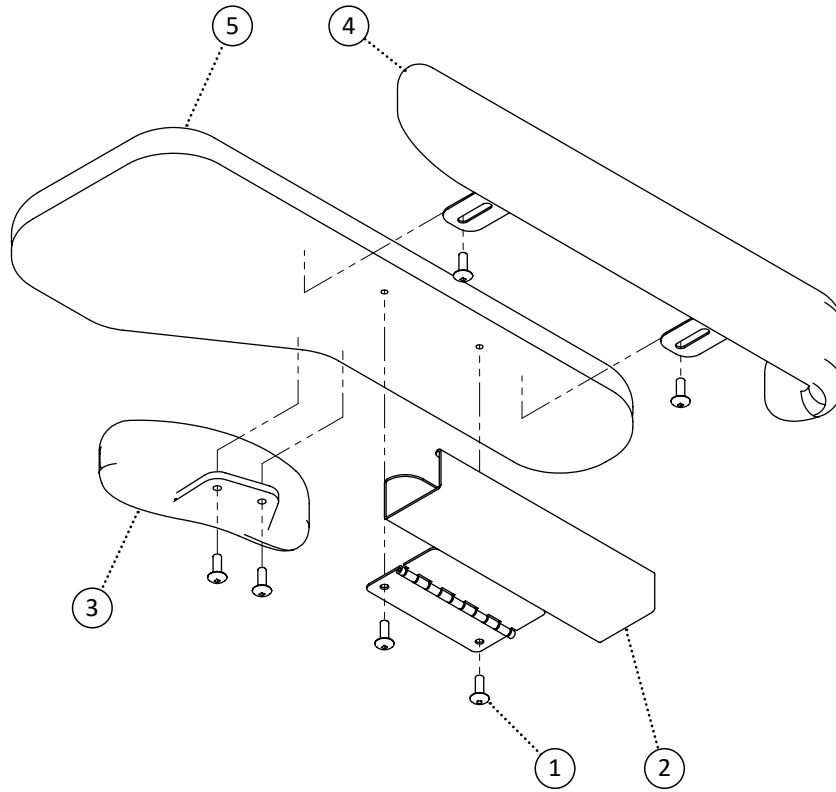
Item	REF Number	Description	Quantity	MSRP	Notes
1	549382	Screw, Truss Head 1/4-20 x 3/4	10		
2	549360	Screw, Round Head 10-24 x 1-1/4	4		
3	548499	Cap, Rubber Cap 7/8	4		
4	548481	Cap, 3/4 Round Plug	2		
5	549401	Strap, Plastic Strap Full Tray	1		
6	549087	PPM, Full Tray Tube	1		
7	549079	PPM, Full Locking Tray Tube	1		
8	549088	PPM, Full Tray Tube Receiver	1		
9	549080	PPM, Full Locking Tray Tube Receiver	1		
10	549082	PPM, Full Tray Padded	1		
11	549081	PPM, Full Tray Clear	1		
12	549083	PPM, Full Tray Plastic	1		
1,4-7,10	548720	Kit, Full Tray Locking Padded	1		
1,4-7,11	548718	Kit, Full Tray Locking Clear	1		
1,4-7,12	548722	Kit, Full Tray Locking Plastic	1		
1-9,10	548721	Kit, Full Tray Locking Padded Complete	1		
1-9,11	548719	Kit, Full Tray Locking Clear Complete	1		
1-9,12	548723	Kit, Full Tray Locking Plastic Complete	1		



Item	REF Number	Description	Quantity	MSRP	Notes
1	549382	Screw, Truss Head 1/4-20 x 3/4	4		
2	548439	Bracket, Slide On Bracket	2		
3	549401	Strap, Plastic Strap Full Tray	1		
4	549085	PPM, Full Tray Slide On Padded	1		
5	549084	PPM, Full Tray Slide On Clear	1		
6	549086	PPM, Full Tray Slide On Plastic	1		
1-3,4	548725	Kit, Full Tray Slide On Padded Complete	1		
1-3,5	548724	Kit, Full Tray Slide On Clear Complete	1		
1-3,6	548726	Kit, Full Tray Slide On Plastic Complete	1		



Item	REF Number	Description	Quantity	MSRP	Notes
1	549382	Screw, Truss Head 1/4-20 x 3/4	2		
2	548440	Bracket, Slide On Swing Bracket	1		
3	549096	PPM, Half Tray Slide On Left Padded	1		
4	549099	PPM, Half Tray Slide On Right Padded	1		
5	549095	PPM, Half Tray Slide On Left Clear	1		
6	549098	PPM, Half Tray Slide On Right Clear	1		
7	549097	PPM, Half Tray Slide On Left Plastic	1		
8	549100	PPM, Half Tray Slide On Right Plastic	1		
1,2,3	548735	Kit, Half Tray Slide On Left Padded Complete	1		
1,2,4	548738	Kit, Half Tray Slide On Right Padded Complete	1		
1,2,5	548734	Kit, Half Tray Slide On Left Clear Complete	1		
1,2,6	548737	Kit, Half Tray Slide On Right Clear Complete	1		
1,2,7	548736	Kit, Half Tray Slide On Left Plastic Complete	1		
1,2,8	548739	Kit, Half Tray Slide On Right Plastic Complete	1		



Item	REF Number	Description	Quantity	MSRP	Notes
1	549382	Screw, Truss Head 1/4-20 x 3/4	6		
2	548440	Bracket, Slide On Swing Bracket	1		
3	549101	PPM, Hand Guard	1		
4	548935	PPM, Arm Guard	1		
5	549096	PPM, Half Tray Slide On Left Padded	1		
6	549099	PPM, Half Tray Slide On Right Padded	1		
7	549095	PPM, Half Tray Slide On Left Clear	1		
8	549098	PPM, Half Tray Slide On Right Clear	1		
9	549097	PPM, Half Tray Slide On Left Plastic	1		
10	549100	PPM, Half Tray Slide On Right Plastic	1		
1-4,5	548735	Kit, Half Tray Slide On Left Padded Complete	1		
1-4,6	548738	Kit, Half Tray Slide On Right Padded Complete	1		
1-4,7	548734	Kit, Half Tray Slide On Left Clear Complete	1		
1-4,8	548737	Kit, Half Tray Slide On Right Clear Complete	1		
1-4,9	548736	Kit, Half Tray Slide On Left Plastic Complete	1		
1-4,10	548739	Kit, Half Tray Slide On Right Plastic Complete	1		

REFERENCE INDEX

548384 22	548473 75	548552 78	548709 33
548385 22	548474 75	548553 86	548710 33
548386 22	548479 48, 49, 50, 52, 58, 59, 60, 61	548554 86	548711 29
548387 22		548555 53	548712 29
548388 22	548480 12, 27, 33, 35, 38, 39, 43, 55, 56, 57, 92, 106	548556 53	548716 27
548389 22		548557 53	548717 27
548390 22	548481 43, 108	548558 53	548718 108
548391 22	548482 51	548559 53	548719 108
548392 22	548484 81	548560 53, 62	548720 108
548393 84	548485 80	548561 62	548721 108
548394 84	548486 81	548562 62	548722 108
548395 84	548487 80	548563 53	548723 108
548396 84	548488 25	548564 65, 66, 67	548724 109
548397 84	548490 92, 106	548565 64, 68, 69	548725 109
548399 86, 88, 89	548491 25, 27	548566 91	548726 109
548400 92, 106	548494 25	548567 91	548734 110, 111
548401 90	548495 27	548568 91	548735 110, 111
548402 90	548496 33, 35, 40	548569 91	548736 110, 111
548404 78, 79	548497 21, 78	548570 91	548737 110, 111
548406 23	548499 108	548571 91	548738 110, 111
548410 48, 49	548500 62	548572 91	548739 110, 111
548411 38, 39	548503 43, 74, 75	548573 91	548740 55
548412 48, 49	548504 43, 75	548574 91	548742 94
548413 70	548505 12, 63, 80, 82, 94, 95	548575 91	548743 95
548419 91	548506 73	548576 91	548744 62
548420 91	548507 73	548577 91	548745 62
548421 91	548509 96	548579 80	548746 62
548422 91	548510 37	548580 80	548754 49
548423 91	548514 74	548581 80	548756 96
548424 91	548516 74	548582 80	548757 43
548425 91	548517 74	548598 70	548758 27
548426 91	548519 25, 27, 29, 33, 36	548599 70	548759 27
548427 92, 106	548520 31, 35	548618 35	548760 43
548435 55, 57	548521 12, 25, 27, 29, 31, 33, 35, 36	548619 35	548761 27
548437 96		548620 35	548762 27
548438 96	548522 12, 25, 27, 29, 31, 33, 35, 36	548621 35	548763 43
548439 109		548622 35	548764 27
548440 110, 111	548523 12, 25, 27	548623 31	548765 27
548442 54	548524 27	548624 31	548766 43
548443 54	548526 36	548625 31	548767 27
548444 54	548532 64, 65, 66, 67, 68, 69	548626 31	548768 27
548446 80	548533 31, 35	548627 84	548770 40
548447 80	548534 41	548628 84	548771 40
548448 80	548535 41	548629 84	548774 36
548449 80	548536 41	548630 73	548775 36
548450 82	548537 41	548683 91	548778 39
548452 81	548538 41	548684 91	548779 38
548453 81	548539 41	548685 91	548786 79
548454 81	548540 41	548686 91	548787 65
548455 81	548541 41	548687 91	548788 69
548457 86, 88	548545 25	548688 91	548789 66
548459 25	548546 43	548689 91	548790 67
548463 38, 39	548547 86	548690 91	548791 67
548465 38, 39	548548 86	548705 29	548792 67
548466 90	548549 43	548706 29	548793 67
548467 86	548550 86	548707 33	548794 67
548471 25	548551 86	548708 29	548795 64

548796	64	548897	51	549134	31	549372	31, 35
548797	64	548898	51	549135	25	549373	48, 49, 52, 61
548798	64	548929	78	549136	25	549376	96
548799	64	548935	111	549137	25	549377	96
548800	68	548936	21	549138	25	549378	25
548801	68	548937	21	549139	38	549380	81
548802	68	548938	21	549142	65, 66, 69	549382	37, 44, 46, 50, 51, 58, 59, 60, 61, 63, 98, 99, 100, 108, 109, 110, 111
548803	68	548939	21	549143	64, 67, 68	549384	96
548804	68	548940	21	549144	64, 67, 68	549385	74
548820	81	548941	21	549145	64, 67, 68	549387	48, 49
548821	81	548942	21	549146	64, 67, 68	549388	38, 39
548822	81	548943	43	549147	64, 67, 68	549389	74, 90
548823	81	548944	31, 35	549148	65, 66, 69	549390	55, 56, 57
548825	75	548945	31, 35	549286	49	549392	31, 35, 43
548826	75	548989	80	549297	25	549393	74
548829	74	548990	80	549298	25	549395	74
548830	54	548991	80	549299	25	549398	38, 39
548831	50	549078	39	549300	25	549399	25
548832	51	549079	108	549305	43	549400	25, 27, 29, 31, 33, 35, 36
548840	48, 49	549080	108	549306	43	549401	108, 109
548841	50, 51, 52, 58, 59, 60, 61	549081	108	549307	48	549409	43, 64, 65, 66, 67, 68, 69, 75
548842	94, 95	549082	108	549308	48	549410	62
548843	48, 49	549083	108	549309	56	549413	25, 27
548844	54, 55, 56, 57	549084	109	549310	56	549416	92, 106
548845	62	549085	109	549317	78, 79	549417	92
548846	96	549086	109	549322	90	549418	43
548849	74	549087	108	549323	31, 35	549419	96
548852	25, 27, 29, 31, 33, 35, 36	549088	108	549324	10, 43, 102	549420	96
548854	84	549095	110, 111	549325	12, 25, 27, 29, 31, 33, 35, 36	549423	23, 43, 55, 56, 57, 70, 86, 89
548856	74	549096	110, 111	549326	55, 56, 105	549425	70
548857	90	549097	110, 111	549327	12, 25, 27, 29, 31, 33, 35, 36, 43, 107	549426	62
548859	12, 23, 25, 27, 29, 31, 33, 35, 36, 38, 39, 43, 54, 55, 56, 57, 63, 70, 78, 79, 82	549098	110, 111	549329	43	549427	84
548861	92, 106	549099	110, 111	549330	31, 35, 57, 70	549428	43
548862	70, 74, 90	549100	110, 111	549333	78, 79	549430	31, 35, 43, 74
548866	12, 25, 27, 29, 31, 33, 35, 36, 96	549101	111	549335	23	549434	12, 25
548868	25	549102	62	549336	82	549435	27
548870	25, 27, 29, 31, 33, 35, 36, 40, 43, 58, 59, 60, 61, 70, 107	549104	48, 49, 52	549339	74	549436	29, 31, 33, 35, 36
548872	40, 72	549105	48, 49, 52	549340	70	549438	70
548874	76	549106	94, 95	549341	74	549439	48, 49, 52, 61
548875	90	549107	94	549342	90	549440	48, 49, 52, 61
548876	38, 39	549108	95	549343	90	549471	91
548877	64, 65, 66, 67, 68, 69	549109	62	549346	92	549472	91
548879	43	549116	43	549347	106	549473	91
548881	37	549117	27	549348	54	549474	91
548883	79	549118	27	549350	89	549475	91
548884	25	549119	43	549351	38, 39, 76	549476	91
548885	40	549120	27	549353	38, 39	549477	91
548887	40	549121	27	549354	25, 27, 36	549478	91
548889	38, 39	549122	43	549357	25, 27, 29, 31, 33, 35, 36	549479	91
548890	25	549123	27	549358	64, 65, 66, 67, 68, 69	549480	91
548895	50	549124	27	549360	21, 108	549481	91
548896	50, 52	549125	43	549361	64, 65, 66, 67, 68, 69	549482	91
		549126	27	549362	33, 35	549502	86, 88
		549127	27	549363	33, 35	549503	86
		549128	40	549367	48, 49	549504	86
		549129	40	549368	62		
		549130	35	549369	54		
		549131	35				
		549132	33				
		549133	33				

549505 86
549506 86
549507 86
549508 86
549509 86
549510 87
549511 87
549512 87
549513 87
549514 87
549515 87
549516 87
549517 87
549518 87
549519 87
549520 87
549521 87
549522 87
549523 87
549524 87
549525 87
549526 87
549527 87
549528 87
549529 87
549530 87
549531 87
549532 87
549533 87
549534 87
549535 87
549536 87
549537 88
549538 88
549539 88
549540 88
549541 88
549542 88
549543 88
549544 88
549545 88
549546 88
549547 88
549548 88
549549 88
549550 89
549551 89
549552 89
549553 89
549554 89
549555 92
549594 27, 33, 35
549595 27, 33, 35
549623 102
549636 21
549637 21
549638 21
549639 21
549640 21
549641 21

549642 21
549643 21
549644 21
549645 21
549646 21
549647 21
549648 21
549649 21
549682 98
549683 98
549684 98
549685 98
549686 98, 99
549687 98, 99
549688 98, 99
549689 98, 99
549690 98, 99
549691 98, 99
549692 98, 99
549693 98, 99
549694 99, 100
549695 105
549696 105
549697 105
549698 105
549699 105
549700 105
549701 60
549702 58, 59, 60, 61
549703 58, 59, 60, 61
549704 58
549705 58
549706 58
549707 58
549708 58, 59, 60, 61
549709 58, 59, 60, 61
549710 59
549711 59
549712 59
549713 59
549714 59
549715 60
549716 60
549717 60
549718 60
549719 61
549720 61
549721 61
549722 61
549723 61
549724 58
549725 72
549726 72
549727 72
549728 72
549729 72
549730 72
549731 12
549732 12
549733 12

549734 12
549735 12
549736 10
549737 10
549738 10
549739 10
549740 10
549741 10
549742 10
549743 10
549744 10
549745 10
549746 10
549747 10
549748 10
549749 10
549750 10
549751 10
549752 10
549753 10
549754 11
549755 11
549756 11
549757 11
549758 11
549759 11
549760 11
549761 11
549762 11
549763 11
549764 11
549765 11
549766 11
549767 11
549768 11
549769 11
549770 11
549771 11
549772 11
549773 11
549774 11
549775 11
549776 44, 46
549777 44, 46
549778 44, 46
549779 44, 46
549780 44, 46
549781 44, 46
549782 44
549783 44
549784 44
549785 44
549786 44
549787 44
549788 44
549789 44
549790 44
549791 44
549792 44
549793 44

549794 45
549795 45
549796 45
549797 45
549798 45
549799 45
549800 45
549801 45
549802 45
549803 45
549804 45
549805 45
549806 46
549807 46
549808 46
549809 46
549810 46
549811 46
549812 46
549813 46
549814 46
549815 46, 61
549816 46, 61
549817 46, 61
549818 47
549819 47
549820 47
549821 47
549822 47
549823 47
549824 47
549825 47
549826 47
549827 47
549828 47
549829 47
549830 102
549831 102
549832 102
549833 102
549834 102
549835 102
549836 102
549837 102
549838 102
549839 102
549840 102
549841 102
549842 102
549843 102
549844 102
549845 102
549846 102
549847 103
549848 103
549849 103
549850 103
549851 103
549852 103
549853 103

549854 103
549855 103
549856 103
549857 103
549858 103
549859 103
549860 103
549861 103
549862 104
549863 104
549864 104
549865 104
549866 104
549867 104
549868 104
549869 104
549870 14
549871 14
549872 14
549873 14
549874 14
549875 14
549876 14
549877 14
549878 14
549879 14
549880 14
549881 14
549882 14
549883 14
549884 14
549885 14
549886 14
549887 14
549888 14
549889 14
549890 14
549891 14
549892 15
549893 15
549894 15
549895 15
549896 15
549897 15
549898 15
549899 15
549900 15
549901 15
549902 15
549903 15
549904 15
549905 15
549906 15
549907 15
549908 15
549909 15
549910 15
549911 15
549912 15
549913 15

549914 15
549915 15
549916 15
549917 15
549918 15
549919 15
549920 15
549921 15
549922 15
549923 15
549924 15
549925 15
549926 15
549927 15
549928 15
549929 15
549930 15
549931 15
549932 15
549933 15
549934 100
549935 100
549936 100
549937 100
549938 100
549939 100
549940 100
549941 100
549942 107
549946 107
549947 106
549948 106
549985 82
549986 82
549987 82
549988 82
549989 82
549990 82
549999 87
550000 87
550001 87
550002 86
550003 87
550004 87
550005 87
550006 87
550007 87
550008 87
550077 57
550078 57
550079 57
550080 57
550081 57
550082 57
550119 23
550120 52
550121 63
550122 63
550123 63
550124 63

550125 63
550126 76
550127 76
550128 76
550129 76
550130 76
550131 76
550132 76
550133 76
550134 16
550135 16
550136 16
550137 16
550138 16

NVTILT



POWERPLUSMOBILITY.COM

50 Malcom Road | Guelph, ON | Canada N1K 1A9
Telephone (519)-763-9976 | Fax (519)-837-1832