

Laterals and Adductors - Accessories

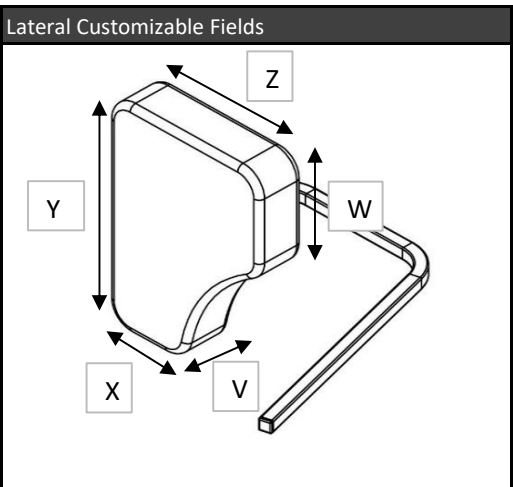


Customer Name: _____
 Address: _____ PO #: _____
 City: _____ Phone #: _____ Date: _____
 Account #: _____ Authorizer Name: _____



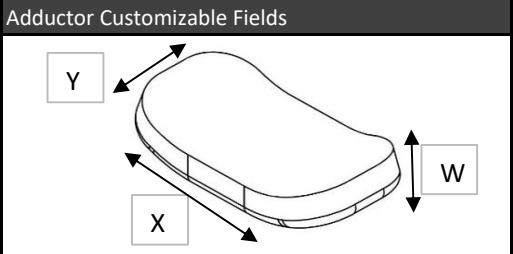
PART NO:	DESCRIPTION	PRICING	ADP CODE
<input type="checkbox"/> EXP2-P	Extra Padding (2)		52 SEMCF651L
<input type="checkbox"/> HFP-P	Hardware for Pommel		73 SEICF401L
<input type="checkbox"/> ADD8-P	Small Adductor 8" Adjustable 4 Piece Removable <input type="checkbox"/> ABS <input type="checkbox"/> Clamp on <input type="checkbox"/> Bolt on		104 SELND0005
<input type="checkbox"/> ADD10-P	Medium Adductor 10" Adjustable 4 Piece Removable <input type="checkbox"/> ABS <input type="checkbox"/> Clamp on <input type="checkbox"/> Bolt on		104 SELND0005
<input type="checkbox"/> ADD12-P	Large Adductor 12" - Adjustable 4 Piece Removable <input type="checkbox"/> ABS <input type="checkbox"/> Clamp on <input type="checkbox"/> Bolt on		104 SELND0005
<input type="checkbox"/> ADDC-P	Custom Adductor		104 SEMCF702L
<input type="checkbox"/> LATB	Tapered Laterals C/W Bite Out - Pair		332 SELND0015
<input type="checkbox"/> LATBL	Tapered Laterals C/W Bite Out C/W Hardware - Left		166 SELND0015
<input type="checkbox"/> LATBR	Tapered Laterals C/W Bite Out C/W Hardware - Right		166 SELND0015
<input type="checkbox"/> LATMHL-P	Lateral Mounting Hardware Complete Left		52 SEICF201L
<input type="checkbox"/> LATMHR-P	Lateral Mounting Hardware Complete Right		52 SEICF201L
<input type="checkbox"/> CUSTOM	Custom Size		

NOTE: For CUSTOM SIZE use only, standard sizes are mentioned next to the custom column ----- Please enter Custom fields below: CUSTOM



Field	Lateral		Adductor	
	Standard	Custom	Standard	Custom
V	2	<input type="checkbox"/> _____		
W	4.5	<input type="checkbox"/> _____	2	<input type="checkbox"/> _____
X	3.5	<input type="checkbox"/> _____	11	<input type="checkbox"/> _____
Y	9.5	<input type="checkbox"/> _____	4	<input type="checkbox"/> _____
Z	7	<input type="checkbox"/> _____		

NOTE: View diagram on the left for reference. Please select Standard for standard sizing. For custom please select Custom and enter the custom value in space next to the checkbox



Custom Notes:

